



MEGApix® IVA+™ models	5MP model	2.1MP/1080p model
DWC-MPB75Wi4T	DWC-MB75Wi4T	DWC-MB72Wi4T
DWC-MPB72Wi4T		



**Default Login Information: admin | admin**

When logging into the camera for the first time, you will be prompted to set up a new password. You can set the new password using the DW® IP Finder™ software or directly from the camera's browser menu.

**WHAT'S IN THE BOX**

Quick Setup and Download Guides		1 set	Screws and Plastic Anchors - 4pcs		1 set
Mounting Template		1	Star Wrench		1
Waterproof Cap		1 set			

**NOTE:** Download all your support materials and tools in one place

- Go to: <http://www.digital-watchdog.com/resources>
- Search your product by entering the part number in the 'Search by Product' search bar. Results for applicable part numbers will populate automatically based on the part number you enter.
- Click 'Search'. All supported materials, including manuals and quick start guide (QSGs) will appear in the results.



**Attention:** This document is intended to serve as a quick reference for the initial set-up. It is recommended that the user read the entire instruction manual for complete and proper installation and usage.

**STEP 1 - PREPARING TO MOUNT THE CAMERA**

- The mounting surface must bear five times the weight of your camera.
- Do not let the cables get caught in improper places or the electric line cover to be damaged. This may cause a breakdown or fire.
- CAUTION:** These servicing instructions are for use by qualified service personnel only. To reduce the risk of electric shock do not perform any servicing other than that contained in the operating instructions unless you are qualified to do so.
- This product is intended to be supplied by a UL Listed Power Supply Unit marked "Class 2" or "LPS" or "PS2" and rated 12 Vdc, 0.54A (DWC-MPB75Wi4T, DWC-MB75Wi4T) and 0.38A (DWC-MPB72Wi4T, DWC-MB72Wi4T) min.
- The wired LAN hub providing power over the Ethernet (PoE) in accordance with IEEE 802-3af shall be a UL Listed device with the output evaluated as a Limited Power Source as defined in UL60950-1 or PS2 as defined in UL62368-1.
- Unit is intended for installation in a Network Environment 0 as defined in IEC TR 62102. As such, associated Ethernet wiring shall be limited to inside the building.
- Using the mounting template sheet or the camera itself, mark and drill the necessary holes in the wall or ceiling.

**STEP 2 - POWERING THE CAMERA**

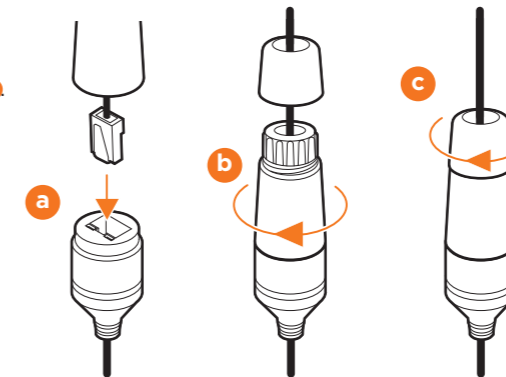
Pass the wires through the bracket and make all necessary connections.

- NETWORK CONNECTIONS** - If you are using a PoE switch, connect the camera using an Ethernet cable for both data and power.
- NETWORK CONNECTIONS** - If you are using a non-PoE switch, connect the camera to the switch using an Ethernet cable for data transmission and use a power adapter to power the camera.

Model	Power requirements	Power consumption
DWC-MPB75Wi4T DWC-MB75Wi4T	DC 12V, PoE IEEE 802.3af Class 3 (Adapter not included).	DC12V: max 6.5W PoE: max 8.3W
DWC-MPB72Wi4T DWC-MB72Wi4T	DC 12V, PoE IEEE 802.3af Class 2 (Adapter not included).	DC12V: max 4.5W PoE: max 6.0W

**STEP 3 - INSTALLING THE CAMERA**

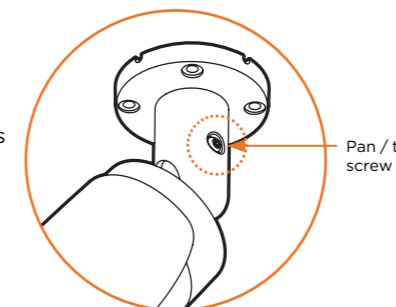
- Attach the camera's bracket to the mounting surface using the included four (4) screws.
- To use the camera's waterproof wiring:
  - Install the LAN cable into **a**
  - b** will be assembled to **a** with a 1/4 turn.
  - Thread **c** tightly to **b**.



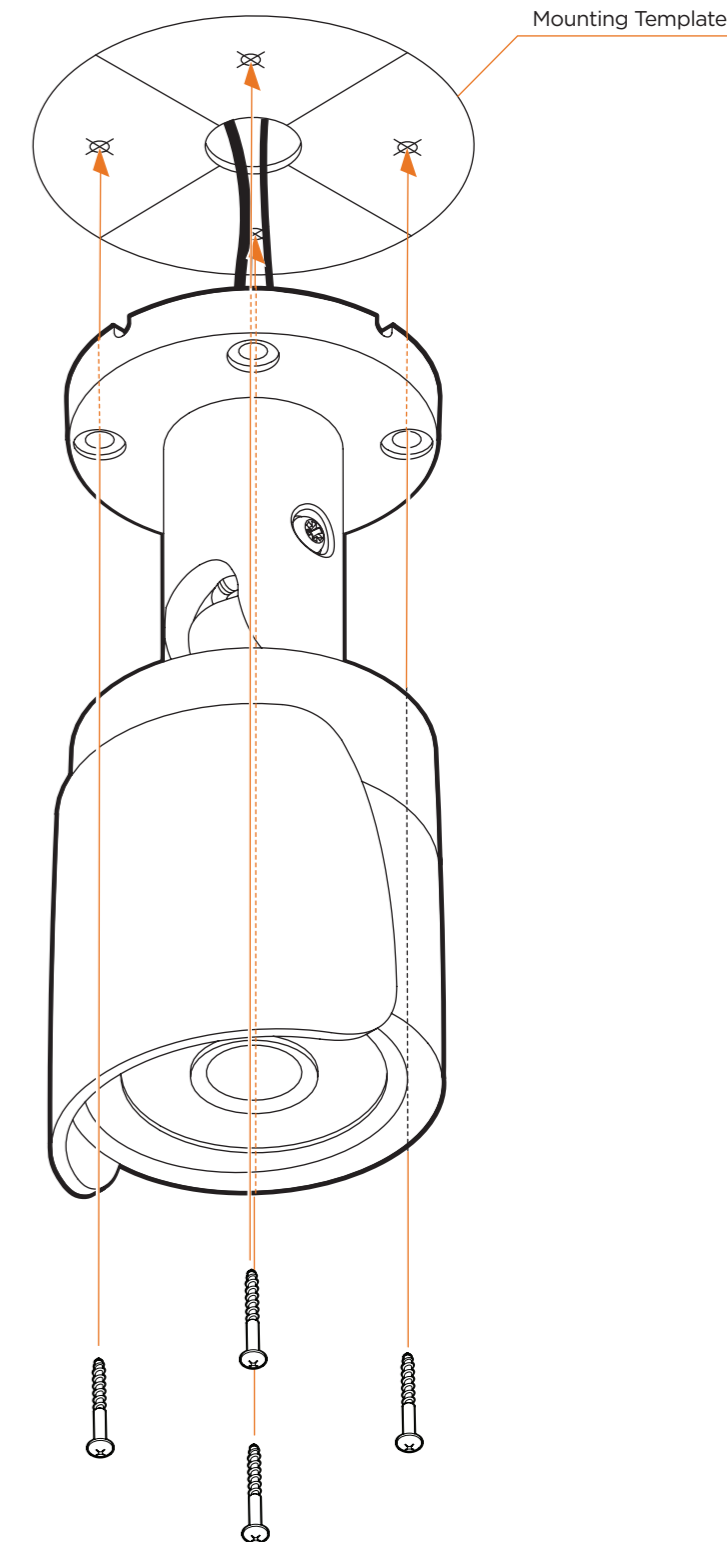
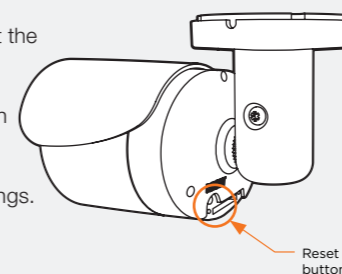
**NOTE:** To ensure moisture seal, make sure the o-ring is in place between **a** and **b**. In extreme environments use of an outdoor rated sealer is recommended.

**NOTE:** When using the waterproof cap, crimp the RJ45 connector after passing the cable through the waterproof cap.

- Loosen the pan and tilt screw at the base of the camera's bracket to adjust the camera's view and position.

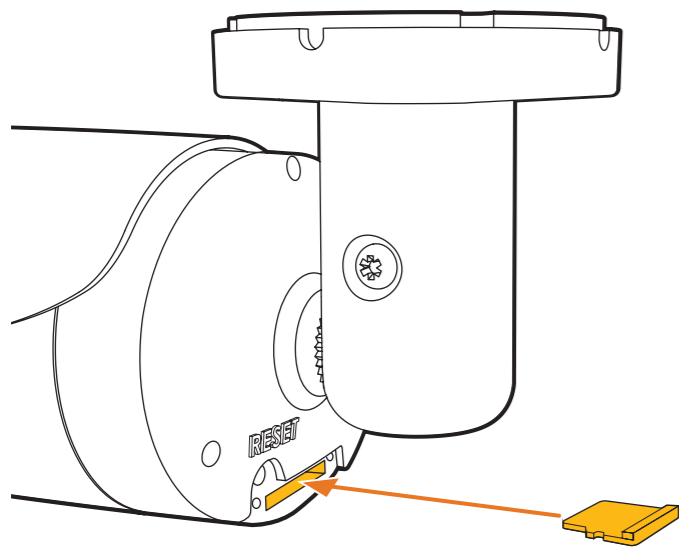


**Resetting the camera:** To reset the camera, use the tip of a paper clip or a pencil and press the reset button. Pressing the button for five (5) seconds will initiate a camera-wide reset of all the settings, including network settings.



### STEP 4 – MANAGING THE SD CARD

- To install the camera's SD Card, locate the SD card slot in the back of the camera.
- Insert a class 10 SD/SDHC/SDXC card into the SD card slot by pressing the SD card until it "clicks" into place.
- To remove the SD card, press the card inward to release it from the card slot.



**NOTE:** When inserting the SD card into the card slot, the SD card's contacts should be facing upward, as shown in the diagram.

### STEP 5 – DW® IP FINDER™

Use the DW IP Finder software to scan the network and detect all MEGApix® cameras, set the camera's network settings or access the camera's web client.

#### Network Setup

- To install the DW IP Finder, go to <http://www.digital-watchdog.com>
- Enter "DW IP Finder" on the search box at the top of the page.
- Go to the "Software" tab on the DW IP Finder page to download the installation file.
- Follow the installation to install the DW IP Finder. Open the DW IP Finder™ and click 'Scan Devices'. It will scan the selected network for all supported devices and list the results in the table. During the scan, the DW® logo will turn gray.

- Select DHCP to allow the camera to receive its IP address automatically from the DHCP server.
- Select "Static" to manually enter the camera's IP address, (Sub)Netmask, Gateway and DNS information.
  - \* The camera's IP must be set to Static if connecting to Spectrum® IPVMS
- Contact your network administrator for more information.

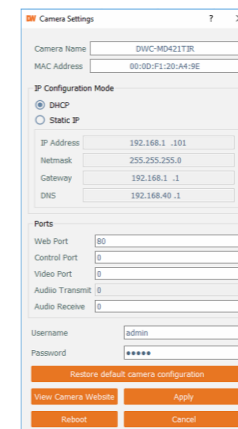
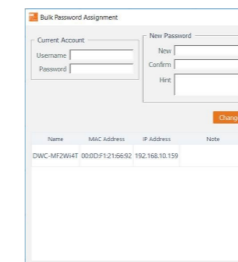
Default TCP/IP information: DHCP

- When connecting to the camera for the first time, a password must be set. To set up a password for your new camera:
  - Check the box next to your new camera from the IP Finder's search results. You can select multiple cameras.
  - Click "Bulk Password Assign" on the left.

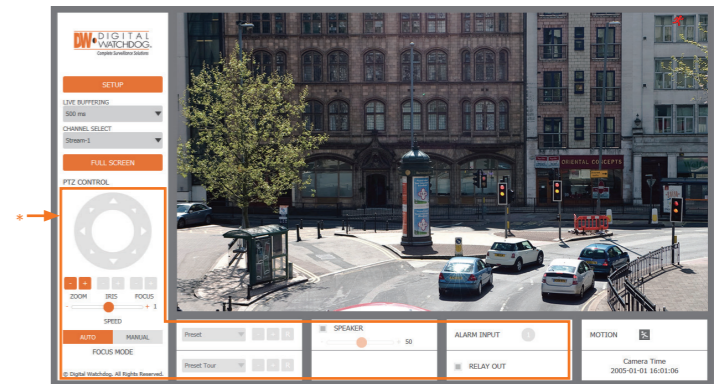
- In the pop-up window, enter admin/admin in the current username and password fields. Enter a new username and password to the right.
- Press "change" to apply all changes.

- Select a camera from the list by double-clicking on the camera's image or clicking on the 'Click' button under the IP Conf. column. The pop-up window will show the camera's current network settings, allowing admin users to adjust the settings as needed.
- To access the camera's web page, go to the IP Config page and click on the 'View Camera Website'.
- To save the changes made to the camera's setting, input the username and password of the camera and click Apply.

'Port forwarding' has to be set in your network's router for external access to the camera.



### STEP 6 – WEB VIEWER

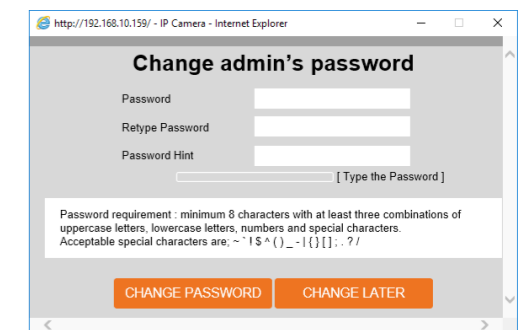


The GUI display may differ by camera models.

Once the camera's network settings have been setup properly, you can access the camera's web viewer using the DW IP Finder.

To open the camera's web viewer:

- Find the camera using the DW IP Finder.
- Double-click on the camera's view in the results table.
- Press the 'View Camera Website'. The camera's web viewer will open up in your default web browser.
- Enter the camera's username and password you setup in the DW IP Finder. If you did not setup a new username and password via the DW IP Finder, you will not be able to view video from the camera. A message will direct you to setup a new password for the camera to view video.



- When accessing the camera for the first time, install the VLC player for web files to view video from the camera.

**NOTE:** 32bit version of the VLC player must be installed. If you are using a 64bit system, uninstall the previous 64bit version and reinstall using the 32bit version.

**NOTE:** Some menu options may not be available based on the camera model. See the full manual for more information.