



IP Cameras

DWC-MV74Wi28 / DWC-MV74Wi4 / DWC-MV74Wi6



Username: **admin** Password: **admin**

*** NOTE:** It is highly recommended to change the admin's default password after installation.

WHAT'S IN THE BOX

QSG Manual		1 Set	Mount Bolt & Nut – 2pcs		1 Set
Template Sheet for installing by Bolt & Nut		1 Set	Screw & Plastic Anchor – 2pcs		1 Set
Waterproof Cap		1 Set	Torx Wrench		1 Set

NOTE: Download All Your Support Materials and Tools in One Place

- Go to: <http://www.digital-watchdog.com/support-download/>
- Search your product by entering the part number in the 'Search by Product' search bar. Results for applicable part numbers will populate automatically based on the part number you enter.
- Click 'Search'. All supported materials, including manuals, Quick Start Guides (QSG), software and firmware will appear in the results.

Attention: This document is intended to serve as a quick reference for initial set-up. It is recommended that the user read the entire instruction manual for complete and proper installation and usage.

Step 1 – PREPARING TO MOUNT THE CAMERA

- The mounting surface must bear five times the weight of your camera.
- Do not let the cables get caught in improper places or the electric line cover to be damaged. This may cause a breakdown or fire.
- For the installation process, remove the dome cover from the camera module by loosening the three (3) screws on the dome. Use the wrench provided with the camera.
- Using the mounting template sheet or the camera itself, mark and drill the necessary holes in the wall or ceiling.

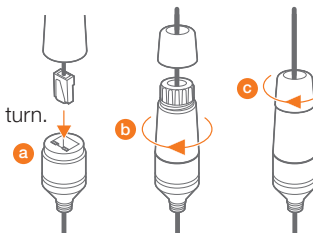
Step 2 – CABLING THE CAMERA TO EXTERNAL DEVICES

- Pass the wires through the mount bracket and make all necessary connections.
 - NETWORK CONNECTIONS** – If you are using a PoE Switch, connect the camera using an Ethernet cable for both data and power.
 - NETWORK CONNECTIONS** – If you are using a non-PoE switch, connect the camera to the switch using an Ethernet cable for data transmission and use a power adapter to power the camera.

Power Requirements	Power Consumption
(Adaptor is not Included) DC 12V, POE IEEE 802.3af Class3	DC12V: Max 5.6W POE: Max 7.4W

Step 3 – INSTALLING THE CAMERA

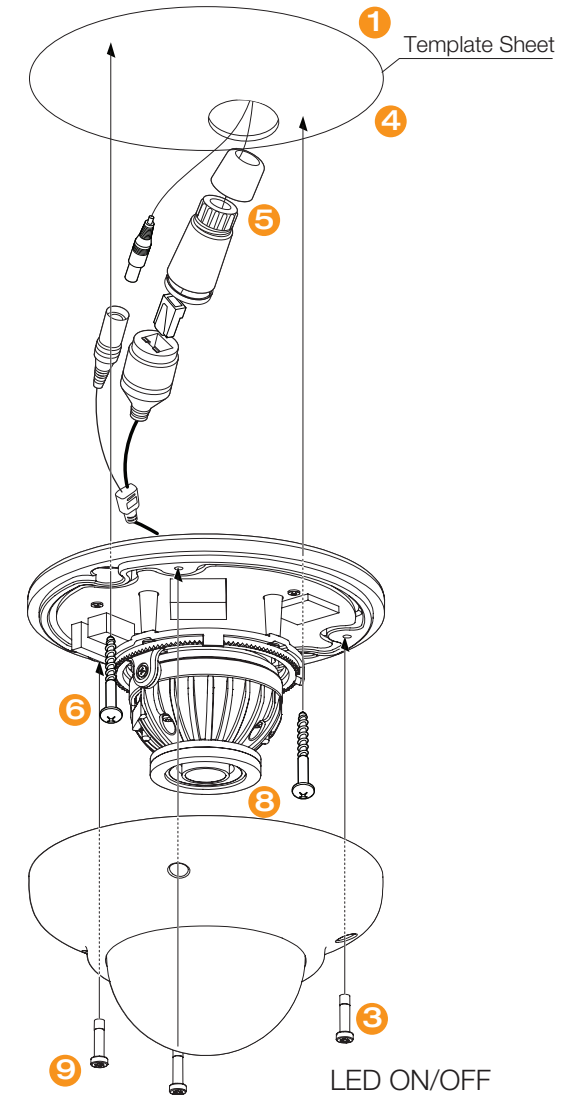
- Attach the main body to the mount bracket by tightening the lock screw using the six-angle wrench.
- To use the camera's water proof wiring:
 - Install the LAN cable into **a**.
 - b** will be assembled to **a** with a 1/4 turn.
 - Thread **c** tightly to **b**.



Note: To ensure moisture seal, make sure the o-ring is in place between (a) and (b). In extreme environments use of an outdoor rated sealer is recommended.

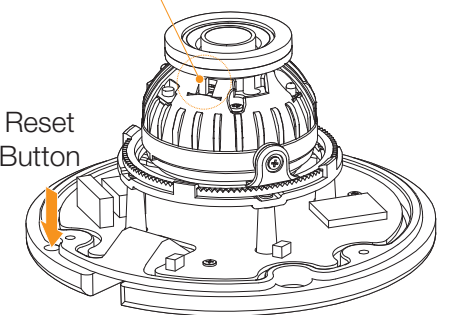
Note: When using the waterproof cap, crimp the RJ45 connector after passing the cable through the waterproof cap.

- Use the camera's 3-Axis gimbal to adjust the camera's tilt and angle. The camera's maximum tilting angle is 70.
- Assemble the dome cover over the camera body and detach the protecting film from the dome bubble.



LED ON/OFF

Reset Button

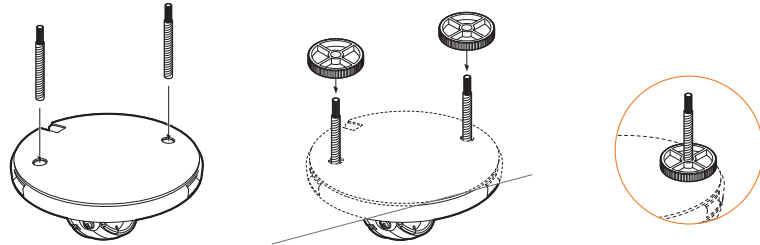


Resetting the camera: To reset the camera, use the tip of a paper clip or a pencil and press the reset button. Pressing the button for five (5) seconds will initiate a camera-wide reset of all the settings, including network settings.

STEP 3 – INSTALLING THE CAMERA (CONT.)

Installation using Mount Bolt and Screws:

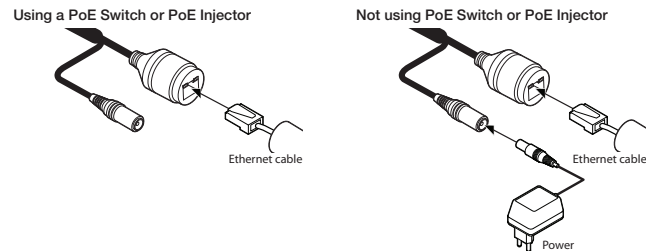
- Using the template sheet, make and drill the cabling holes on the wall/ceiling.
- Secure the two long mounting screws to the camera's base.
- Pass the wires through the mount bracket and make all necessary connections.
- Mount the camera to the mounting surface by using the 2 mounting nuts. Rotate the locking discs over the screws until the camera is held tightly from the mounting surface.



NOTE: The camera's maximum tilting angle is 70°

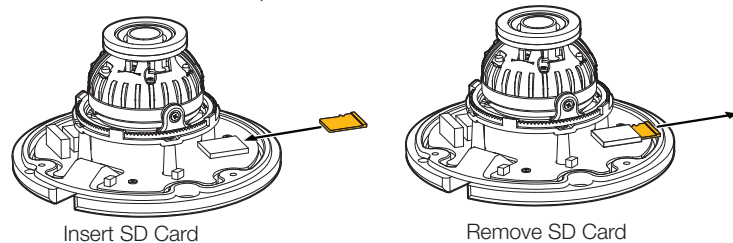
STEP 4 – CABLING

Use the diagram below to properly connect power and network to the camera.



STEP 5 – MANAGING THE SD CARD

- To install the camera's SD Card, locate the SD card slot in the back of the camera module.
- Insert a class 10 SD card into the SD card slot by pressing the SD card slot.
- To remove the SD Card, press the card inward to release from the card slot.

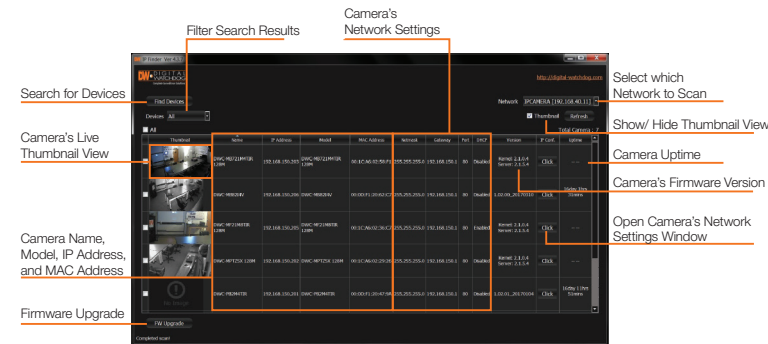


STEP 6 – DW IP FINDER™

Use the DW IP Finder™ software to scan the network and detect all MEGApix® cameras, set the camera's network settings or access the camera's web client.

Network Setup

- Go to: <http://www.digital-watchdog.com>
- Search for 'IP Finder' on the quick search bar at the top of the page.
- The latest IP Finder software will appear in the search results. Click on the link to download the file to your computer.
- The software will scan your network for all supported cameras and display the results in the table. Allow up to 5 seconds for the IP Finder to find the camera on the network.

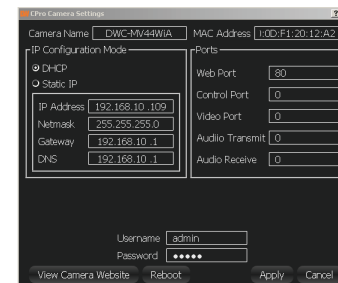


- Select a camera from the list by double-clicking on the camera's image or clicking on the 'Click' button under the IP Conf. column. The camera's network information will appear. If necessary, you can adjust the camera's network type.

- Select DHCP if the internet service is dynamic IP. This will allow the camera to receive its IP address from the DHCP server.
- Select STATIC to manually enter the camera's IP address, subnet mask, Gateway and DNS information.
- Contact your network administrator for more information.

- The camera's default network information is:

- Default TCP/IP information**
 - IP: DHCP



- To view the camera's web viewer, click on 'View Camera Website'.

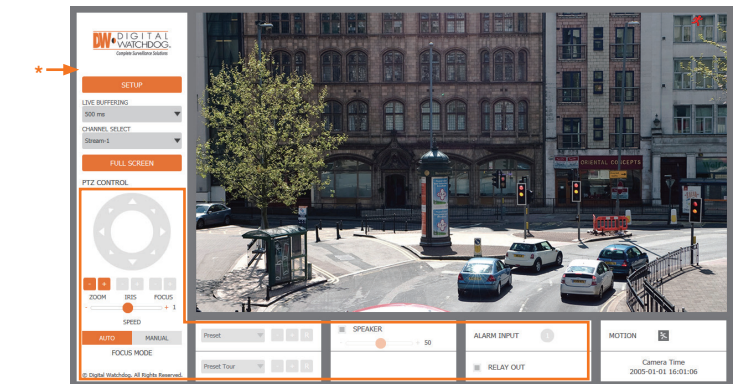
i 'Port Forwarding' has to be set in your network's router for external access to the camera.

- To save the changes made to the camera's settings, input the ID and PW of the camera for authentication and click 'Save'.
- If the camera needs to be rebooted after the settings were changed, press the 'Reboot' button. The camera will cycle power and will appear back in the search results once the reboot is complete.

i Default ID / PW : admin / admin

NOTE: It is highly recommended to change the admin's default password after installation.

STEP 7 – WEB VIEWER



The GUI display may differ by camera models.

Once the camera's network settings have been setup properly, you can access the camera's web viewer using the DW IP Finder™.

To open the camera's web viewer:

- Find the camera using the DW IP Finder™.
- Double-click on the camera's view in the results table.
- Press the 'View Camera Website'. The camera's web viewer will open up in your default web browser.
- Enter the camera's username and password (default are admin / admin).
- If you are accessing the camera for the first time, install the VLC player for web files in order to view video from the camera.

*** NOTE:** Some Menu options may not be available based on the camera model. See the full manual for more information.

NOTE: Please see the full product manual for web viewer setup, functions and camera settings options.