



IP Cameras



Default Login Information: admin | admin

When logging into the camera for the first time, you will be prompted to set up a new password. You can set the new password using the DW® IP Finder™ software or directly from the camera's browser menu.

WHAT'S IN THE BOX

Hex Allen wrench		1	Mounting template		1
Screws and plastic anchors - 2pcs		1 set	Quick setup guide		1
Waterproof cap and gasket		1			

NOTE: Download all your support materials and tools in one place

1. Go to: <http://www.digital-watchdog.com/resources>
2. Search your product by entering the part number in the 'Search by Product' search bar. Results for applicable part numbers will populate automatically based on the part number you enter.
3. Click 'Search'. All supported materials, including manuals and quick start guide (QSGs) will appear in the results.



Attention: This document is intended to serve as a quick reference for the initial set-up. It is recommended that the user read the entire instruction manual for complete and proper installation and usage.

STEP 1 - PREPARING TO MOUNT THE CAMERA

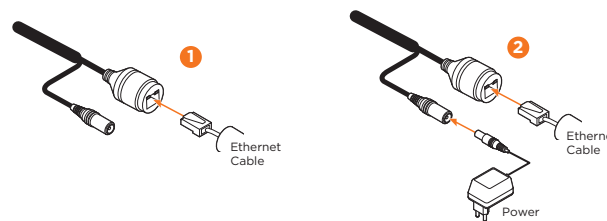
1. The mounting surface must withstand five times the camera weight.
2. Do not let the cables get caught in improper places or the electric line cover can be damaged. This may cause a short or fire.
3. For the installation process, remove the dome cover from the camera module by loosening the three (3) screws on the dome. Use the wrench provided with the camera.
4. Using the mounting template sheet or the camera itself, mark and drill the necessary holes in the wall or ceiling.

STEP 2 - CABLING THE CAMERA TO EXTERNAL DEVICES

Pass the wires through the mount bracket and make all necessary connections.

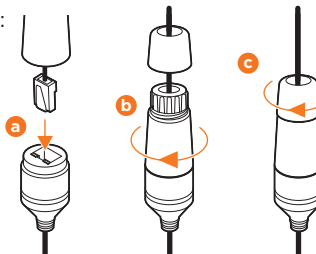
1. NETWORK CONNECTIONS - If you are using a PoE Switch, connect the camera using an Ethernet cable for both data and power.
2. NETWORK CONNECTIONS - If you are using a non-PoE switch, connect the camera to the switch using an Ethernet cable for data transmission and use a power adapter to power the camera.

Power requirements	Power consumption
DC 12V, PoE (IEEE 802.3af Class 3). (Adapter not included)	DC12V: max 5.7W PoE: max 7.2W



STEP 3 - INSTALLING THE CAMERA

1. To use the camera's waterproof wiring:
 - a. Install the LAN cable into **a**.
 - b. **b** will be assembled to **a** with a 1/4 turn.
 - c. Thread **c** tightly to **b**.

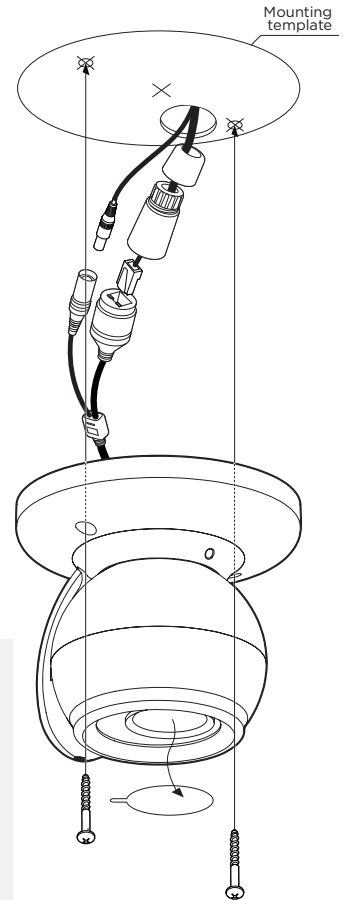
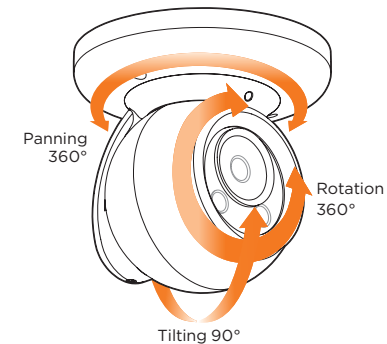


NOTE: To ensure moisture seal, make sure the o-ring is in place between **a** and **b**. In extreme environments use of an outdoor rated sealer is recommended.

2. Once all cables have been connected, use the screws included with the camera to properly mount and secure the camera to the mounting surface.

NOTE: When using the waterproof cap, crimp the RJ45 connector after passing the cable through the waterproof cap.

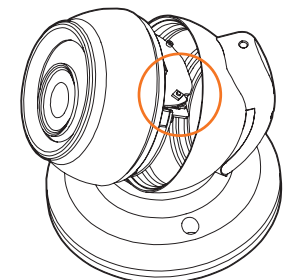
3. Adjust the camera's pan, tilt and position to achieve the desired view. The cameras' max angles are:
Pan: 0° - 360°
Tilt: 0° - 90°
Rotation: 0° - 360°
3. Once the installation is complete, tighten the pan/tilt/rotation screw until it's secure.



Resetting the camera: To reset the camera, detach the ball module from the base by rotating it counter-clockwise. See the diagram on the bottom right. **Do not touch any other parts of the camera.**

Press the reset button on the base of the camera's lens module. Pressing the button for five (5) seconds will initiate a camera-wide reset of all the settings, including network settings.

When replacing the camera's ball module back into place, make sure no cables are caught or got disconnected. Rotate the ball module clockwise until it is secured in place.



STEP 3 – DW® IP FINDER™

Use the DW® IP Finder™ software to scan the network and detect all MEGApix® cameras, set the camera's network settings or access the camera's web client.

Thumbnail view

Select network to scan

Filter results

Scan network

Show/hide thumbnail view

Refresh thumbnail view

Bulk IP assignment

Bulk password assignment

Firmware upgrade

DHCP status

Firmware version

Camera's uptime

Open IP configuration settings

Ping camera

Port information

Gateway address

Netmask address

Camera's MAC address

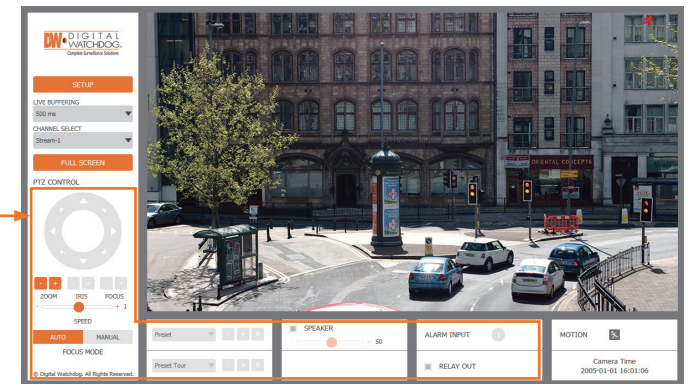
Part number

Camera's IP address

Camera's name

Thumbnail	Name	IP Address	Model	MAC Address	Netmask	Gateway	Port	DHCP	Version	Ping Test	IP Conf.	Uptime
	DWC-MP-Z30X	192.168.50.34	DWC-MP-Z30X	00:07:08:19:10:1A	255.255.255.0	192.168.150.1	80	Disabled	1.9.94-X2_release	Ping	Click	28day 14hrs 0mins
	DWC-MV-44WA	192.168.50.40	DWC-MV-44WA	00:0D:F:21:53:8F	255.255.255.0	192.168.150.1	80	Disabled	A2.01.02_20180619	Ping	Click	28day 14hrs 0mins
	DWC-PZ-1M69T	192.168.50.41	DWC-PZ-1M69T	00:0D:F:21:29:21	255.255.255.0	192.168.150.1	80	Disabled	A5.01.03_20180403	Ping	Click	39day 15hrs 54mins
	DWC-PV-16W4	192.168.50.42	DWC-PV-16W4	00:0D:F:21:5C:AD	255.255.255.0	192.168.150.1	80	Disabled	S2.01.03_20180300	Ping	Click	56day 16hrs 46mins
	DWC-PF-M1TR	192.168.150.61	DWC-PF-M1TR	00:0A:61:1A:00:14	255.255.255.0	192.168.150.1	80	Disabled	-	Ping	Click	--
	DWC-PV-9M2TR	192.168.150.62	DWC-PV-9M2TR	00:0A:60:11:A:26:E7	255.255.255.0	192.168.150.1	80	Disabled	-	Ping	Click	--
	DWC-MF-4W4	192.168.150.63	DWC-MF-4W4	00:0D:F1:20:F8:60	255.255.255.0	192.168.150.1	80	Disabled	A2.01.02_20180619	Ping	Click	28day 14hrs 0mins

STEP 4 – WEB VIEWER



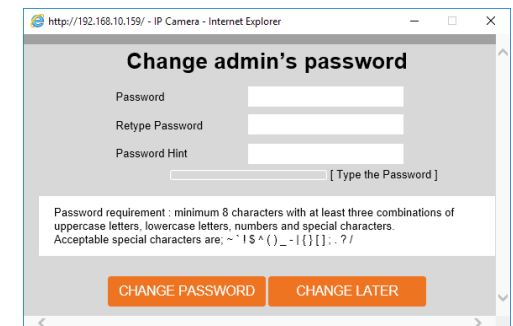
The GUI display may differ by camera models.

*** NOTE:** Some menu options may not be available based on the camera model. See the full manual for more information.

Once the camera's network settings have been setup properly, you can access the camera's web viewer using the DW® IP Finder™.

To open the camera's web viewer:

1. Find the camera using the DW® IP Finder™.
2. Double-click on the camera's view in the results table.
3. Press the 'View Camera Website'. The camera's web viewer will open up in your default web browser.
4. Enter the camera's username and password you setup in the DW® IP Finder™. If you did not setup a new username and password via the DW® IP Finder™, you will not be able to view video from the camera. A message will direct you to setup a new password for the camera in order to view video.



5. When accessing the camera for the first time, install the VLC player for web files in order to view video from the camera.

NOTE: Please see the full product manual for web viewer setup, functions and camera settings options.

Network Setup

1. To install the DW® IP Finder™, go to: <http://www.digital-watchdog.com>
2. Enter "DW® IP Finder" on the search box at the top of the page.
3. Go to the "Software" tab on the DW® IP Finder™ page to download the installation file.
4. Follow the installation to install the DW® IP Finder™. Open the DW® IP Finder™ and click 'Scan Devices'. It will scan the selected network for all supported devices and list the results in the table. During the scan, the DW® logo will turn gray.

i Select DHCP to allow the camera to receive its IP address automatically from the DHCP server.

Select "Static" to manually enter the camera's IP address, (Sub) Netmask, Gateway and DNS information.

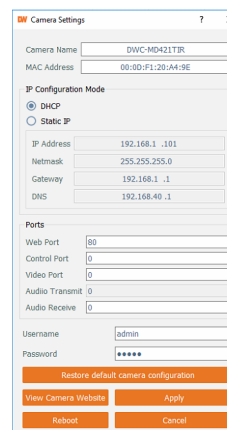
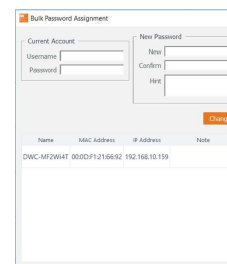
* The camera's IP must be set to Static if connecting to Spectrum® IPVMS

i Contact your network administrator for more information.

i Default TCP/IP information: DHCP

5. When connecting to the camera for the first time, a password must be set. To set up a password for your new camera:
 - a. Check the box next to your new camera from the IP Finder's search results. You can select multiple cameras.

- b. Click "Bulk Password Assign" on the left.
 - c. In the pop-up window, enter admin/admin in the current username and password fields. Enter a new username and password to the right.
 - d. Press "change" to apply all changes.
6. Select a camera from the list by double-clicking on the camera's image or clicking on the 'Click' button under the IP Conf. column. The pop-up window will show the camera's current network settings, allowing admin users to adjust the settings as needed.
 7. To access the camera's web page, go to the IP Config page and click on 'View Camera Website'.
 8. To save the changes made to the camera's setting, input the username and password of the camera and click Apply.



i 'Port forwarding' has to be set in your network's router for external access to the camera.