

Ceiling mounting bracket for white analog PTZ cameras

DWC-P220CMW



WHAT'S IN THE BOX

1x Teflon tape	2x set screws, no head (M5x5)
4x O-ring	2x machine screws, BH (UNC #8-32 8L)
1x hex Allen wrench (2.5)	4x machine screws, PH (M6x9)
3x plastic anchors (6pi)	7x machine screws, PH (M6x12)
3x tapping screws, PH (6x35)	1x quick setup guide

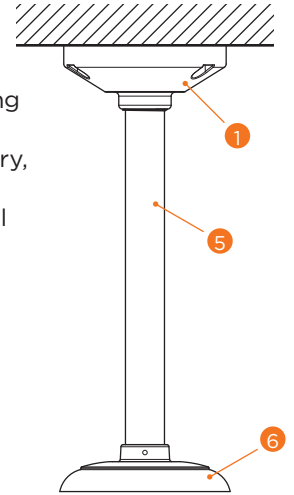
NOTE: Download all your support materials and tools in one place.

1. Go to: <http://www.digital-watchdog.com/resources>
2. Search your product by entering the part number in the **'Search by Product'** search bar. Results for applicable part numbers will populate automatically based on the part number you enter.
3. Click **'Search'**. All supported materials, including manuals and quick start guide (QSGs) will appear in the results.



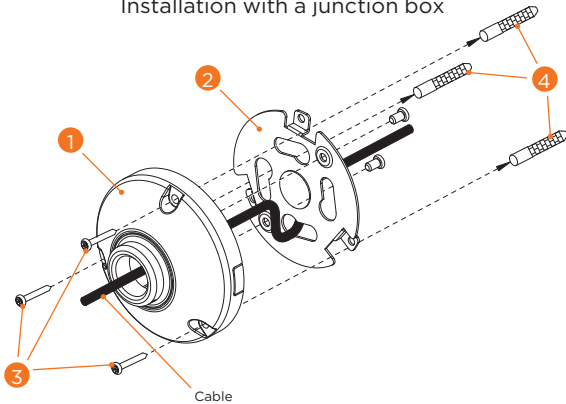
INSTALLING THE MOUNTING ACCESSORY

- A. Attach the mount base (1) and plate (2) to the mounting surface using the supplied M6 tapping screws (3) and plastic bushings (4).
- B. Wind Teflon tape around both threaded ends of the pipe (about 20 times) for sealing. If necessary, use a silicone rubber sealant to seal the area where the mount base and the pipe meet.
- C. Fit the pipe (of which threads are covered by Teflon tape) into the mount base (1) and turn until it is securely fastened.
- D. Pull all the required cables through the mount base (1) and pipe (5).
- E. Align the dome adaptor (6) with the pipe and turn until it is securely fastened.
- F. Fasten the mount base (1), dome adaptor (6) using the set screw.
- G. Fasten the vandal proof dome housing to the dome adaptor (6) using M6 x 12 machine screw.

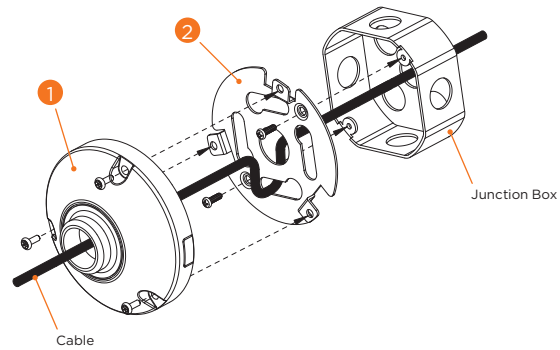


MOUNTING THE CAMERA TO THE MOUNTING ACCESSORY USING A JUNCTION BOX OR MOUNTING PLATE

Installation with a junction box

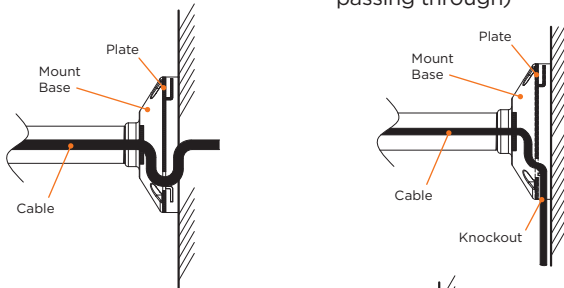


Installation without a junction box

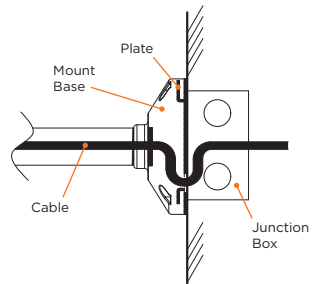


CABLING THE CAMERA

1. Cable passing through the wall
2. Cable on the wall (Remove the conduit knockout for cable passing through)



3. Cable passing through the wall with the junction box (Attention to the plate side)



Dimensions Inches (mm)

