



DWC-PVX16W4 - includes 4x 4.0mm fixed lens modules
DWC-PVX16W - customizable model, lens modules sold separately



Table with 2 columns: Username: admin, Password: admin

WHAT'S IN THE BOX

Table listing contents: Quick start guide & Download guide, Template sheet, Torx wrench, Waterproof cap & Gasket, Moisture absorber, Test video cable, Screw & Plastic anchor, Lens modules

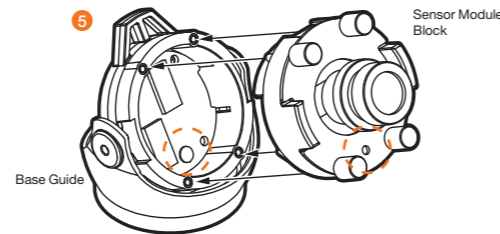
NOTE: Download All Your Support Materials and Tools in One Place

- 1. Go to: http://www.digital-watchdog.com/support-download/
2. Search your product by entering the part number in the 'Search by Product' search bar.
3. Click 'Search'. All supported materials, including manuals, Quick Start Guides (QSG), software and firmware will appear in the results.

Attention: This document is intended to serve as a quick reference for initial set-up. It is recommended that the user read the entire instruction manual for complete and proper installation and usage.

STEP 1 - PREPARING TO MOUNT THE CAMERA

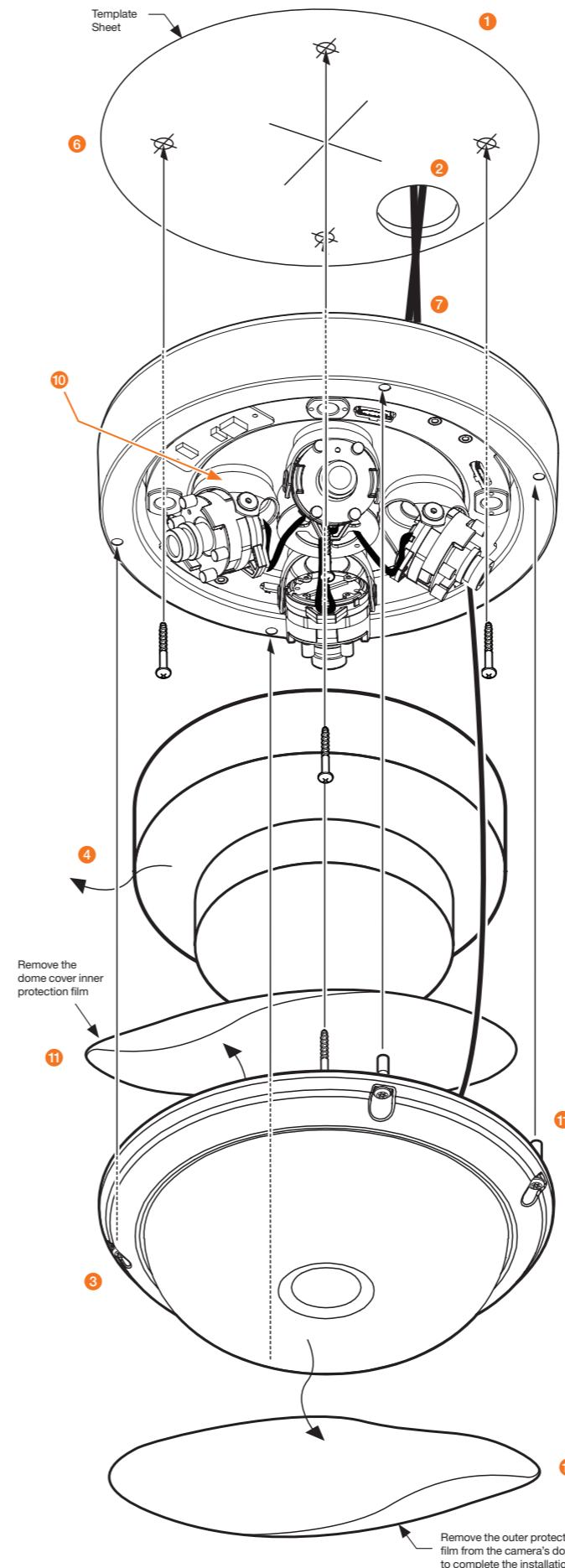
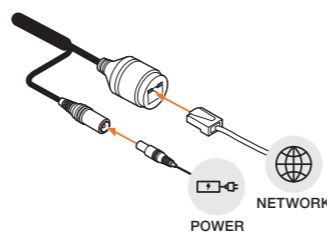
- 1. The mounting surface must bear five times the weight of your camera.
2. Do not let the cables get caught in improper places or the electric line cover to be damaged.
3. For the installation process, remove the dome cover from the camera module by loosening the screw on the side of the dome.
4. Remove the protective foam from the camera.
5. Assemble the Sensor Module Block (with a lens) at the Base Guide.
6. Using the mounting template sheet or the camera itself, mark and drill the necessary holes in the wall or ceiling.



STEP 2 - CABLING THE CAMERA TO EXTERNAL DEVICES

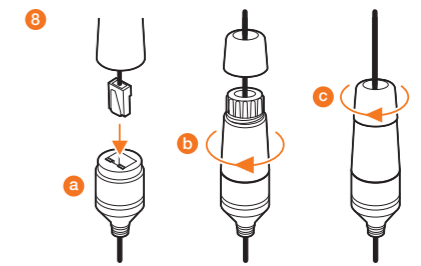
- 7. Pass the wires through the mount bracket and make all necessary connections.
a. NETWORK CONNECTIONS - Using a PoE Switch or PoE Injector, connect the camera using an Ethernet cable for both data and power.
b. NETWORK CONNECTIONS - Not using PoE Switch or PoE Injector, connect the camera to the switch using an Ethernet cable for data transmission and use a power adapter to power the camera.

Table with 2 columns: Power Requirements, Power Consumption. DC12V, PoE+ IEEE 802.3at class 4 (High Power POE injector included), 18W



- 8. To use the camera's water proof wiring:
(1). Install the LAN cable into a.
(2). b will be assembled to a with a 1/4 turn.
(3). Thread c tightly to b.

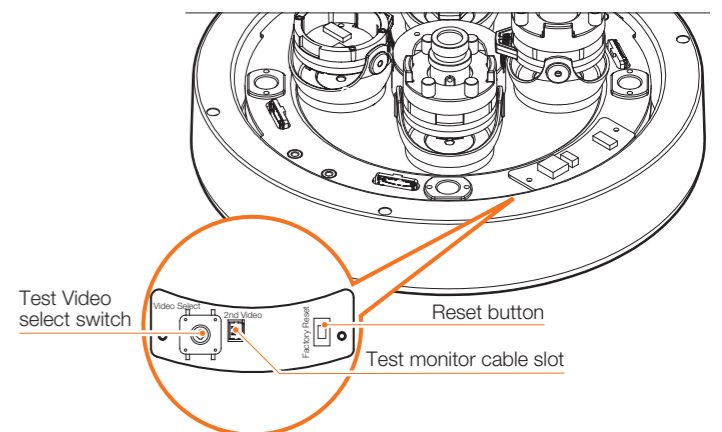
NOTE: To ensure moisture seal, make sure the o-ring is in place between a and b. In extreme environments use of an outdoor rated sealer is recommended.



NOTE: When using the waterproof cap, crimp the RJ45 connector after passing the cable through the waterproof cap.

STEP 3 - INSTALLING THE CAMERA

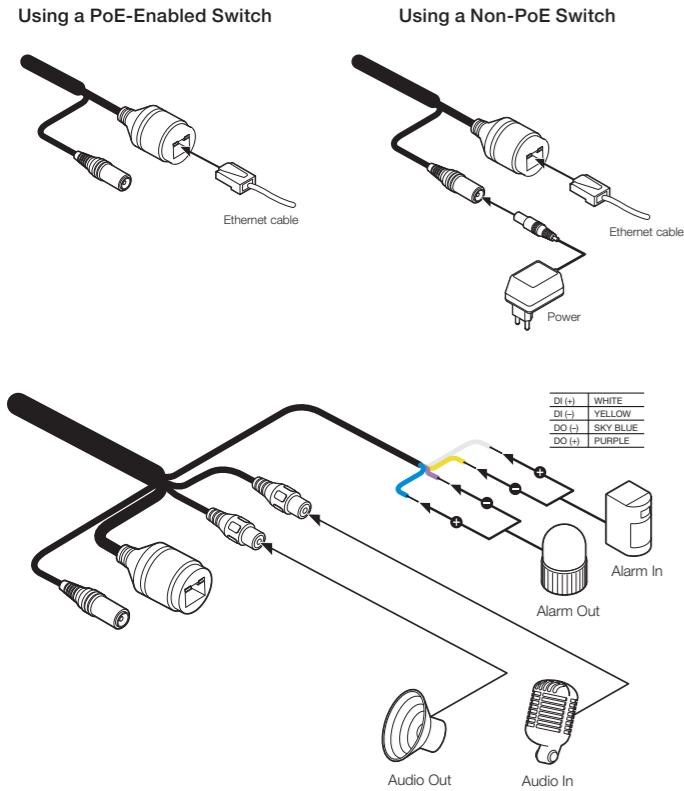
- 9. Once all cables are connected, secure the camera to the mounting surface using the included screws.
10. Adjust the camera module on the magnetic surface for the ultimate coverage and view.
11. Install the moisture absorber according to the guide included. Remove the dome cover's inner protective film. Re-attach the camera's dome to the camera module by aligning the screw holes. Remove the dome cover's outer protective film to complete the installation.



Resetting the camera: To reset the camera, use the tip of a paper clip or a pencil and press the reset button. Pressing the button for five (5) seconds will initiate a camera-wide reset of all the settings, including network settings.

STEP 4 – CABLING

Use the diagram below to properly connect power, network, audio, alarm and sensors to the camera.

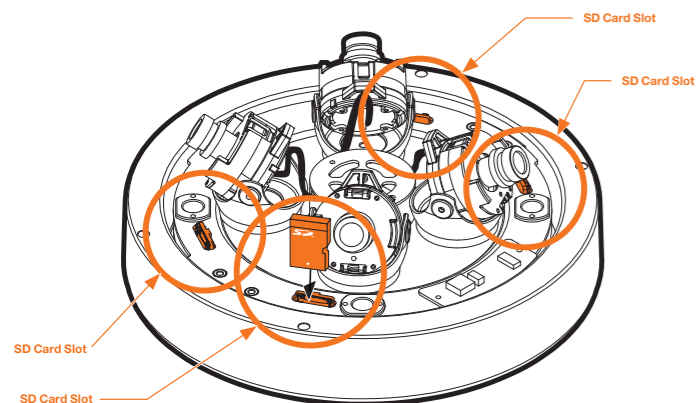


OPTIONAL: STEP 5 – MANAGING OPTIONAL SD CARDS

To install the memory card:

1. Detach the camera's cover dome from the camera's module by unscrewing the cover dome screws.
2. Insert a Micro SD/SDHC Class 10 card according to the diagram.
3. To remove the SD card, press the card gently into the card slot to release it. The card will pop out automatically.

NOTE: The camera has up to 4 SD card slots. Please refer to the diagram below for position.



STEP 6 – DW IP FINDER™

Use the DW IP Finder™ software to scan the network and detect all MEGApix® cameras, set the camera's network settings or access the camera's web client.

Search for Cameras Camera's Network Settings View Camera's Thumbnail View

Filter Search Results

Find Devices

Thumbnail	Name	IP Address	Model	MAC Address	Netmask	Gateway	Port	DHCP	Version	IP Conf.	Uptime
	DWC-PB2M4TR	192.168.1.80	DWC-PB2M4TR	00:0D:F1:20:3D:9C	255.255.255.0	192.168.1.1	80	Enabled	1.02.01_20141111	Click	---
	DWC-MP32M2ST	192.168.1.10	DWC-MP32M2ST	64:7E:57:CE:02:7E	255.255.255.0	192.168.1.1	80	Enabled	2.8.0.127	Click	8 min
	DWC-MP22M4TR	192.168.1.19	DWC-MP22M4TR	00:0D:F1:10:AF:9C	255.255.255.0	192.168.1.1	80	Enabled	1.01.00_20150120	Click	---

FW Upgrade

Firmware Upgrade Camera's Firmware

Camera Name, Model, IP Address, and MAC Address Open Camera's IP Configuration Screen

Camera Uptime

Network Setup

1. Go to: <http://www.digital-watchdog.com>
2. Search for 'IP Finder' on the quick search bar at the top of the page.
3. The latest IP Finder software will appear in the search results. Click on the link to download the file to your computer.
4. Launch the DW IP Finder software by double-clicking on the downloaded file.
5. The software will scan your network for all supported cameras and display the results in the table. Allow up to 5 seconds for the IP Finder to find the camera on the network.
6. Select a camera from the list by double-clicking on the camera's image or clicking on the 'Click' button under the IP Conf. column. The camera's network information will appear. If necessary, you can adjust the camera's network type.

- i** Select DHCP if the Internet service is dynamic IP. This will allow the camera to receive its IP address from the DHCP server.
- i** Select STATIC to manually enter the camera's IP address, subnet mask, Gateway and DNS information.
- i** Contact your network administrator for more information.

- i** Default TCP/IP information
 - IP: DHCP

Camera Name: N2F1-CLAH1 MAC Address: 00:0D:F1:10:AF:9C

IP Configuration Mode:
 DHCP
 Static IP

IP Address: 192.168.1.19
 Netmask: 255.255.255.0
 Gateway: 192.168.1.1
 DNS: 192.168.1.1

Ports:
 Web Port: 80
 Control Port: 0
 Video Port: 0
 Audio Transmit: 0
 Audio Receive: 0

Username: admin
 Password: *****

View Camera Website Reboot Apply Cancel

7. To view the camera's web viewer, click on 'View Camera Website'.

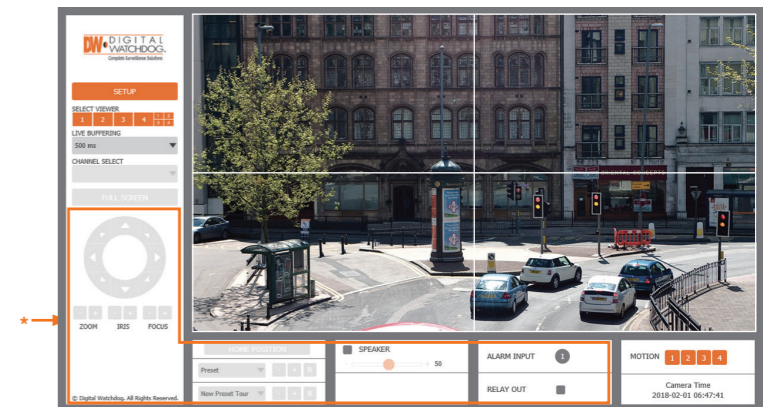
- i** 'Port Forwarding' has to be set in your network's router for external access to the camera.

8. To save the changes made to the camera's settings, input the ID and PW of the camera for authentication and click 'Save'.
9. If the camera needs to be rebooted after the settings were changed, press the 'Reboot' button. The camera will cycle power and will appear back in the search results once the reboot is complete.

- i** Default ID / PW : admin / admin

NOTE: For security purposes, it is highly recommended to change the cameras default password.

STEP 7 – WEB VIEWER



The GUI display may differ by camera models.

Once the camera's network settings have been setup properly, you can access the camera's web viewer using the DW IP Finder™ (see step 7 under STEP 6 IP Finder™), or directly via a supported web browser.

To open the camera's web viewer:

1. Open a supported web browser (Internet Explorer® 8.0 or above).
2. Enter the camera's IP address and port in the address bar. Example: <http://ipaddress/port>.
3. Please note that port forwarding may be necessary in order to access the camera from a different network. Please contact your network administrator for additional information.
3. Enter the camera's username and password (default are admin / admin).
4. If you are accessing the camera for the first time, install the ActiveX for web files in order to view video from the camera.

*** NOTE:** Some Menu options may not be available based on the camera model. See the full manual for more information.

NOTE: Please see the full product manual for web viewer setup, functions and camera settings options.