



-40°
Cold Start

Snapit™

2.1

Megapixel Universal HD / Analog STAR-LIGHT™ WDR IP68 Rated **5 YEAR** Warranty



Summary

STAR-LIGHT™ 2.1MP Universal HD over COAX® cameras deliver crystal clear images and support real-time 30fps HD-Analog, HD-TVI, HD-CVI and all analog signals to 960H. Our unique Snapit™ housing is IP68 rated and makes installation a snap!. STAR-LIGHT™ Universal HD over COAX® cameras are engineered to work with our VMAX A1™ Universal HD over COAX® DVRs using your existing coax infrastructure for a cost-effective, high resolution surveillance solution.

Features

- Universal HD over Coax® Technology with HD-Analog, HD-TVI, HD-CVI and all Analog to 960H Signal Support
- STAR-LIGHT™ Super Low Light Technology
- 2.1MP 1/3" Image Sensor at Real-time 30fps
- 2.8~12mm Motorized Zoom Auto-Focus P-Iris Lens
- True Wide Dynamic Range (WDR)
- OSD Control Via Coaxial (UTC)
- Snapit™ Easy Installation Housing
- CleanView™ Hydrophobic Dome Coating Repels Water, Dust and Grease
- Cold Start -40°F (-40°C)
- Smart DNR™ 3D Digital Noise Reduction
- De-Fog™ Extreme Weather Image Compensation
- Highlight Masking Exposure (HME)
- Auto Sensing 24VAC/12VDC with Line Lock
- Easy Icon Driven OSD Menu with Built-in Joystick
- Programmable Privacy Zones
- Auto Gain Control (AGC)
- Backlight Compensation (BLC)
- Dynamic Range Compressor (DRC) Reveals Low Light Detail
- Auto White Balance (AWB)
- UTP Built-In
- Junction Box Built-in
- RS-485 Built-in
- IP68 Certified Water and Tamper Resistant
- IK-10 Impact Rated
- 5 Year Warranty

Accessories (Optional)



DWC-V4SSLD
Sunshield Cover for Snapit
Outdoor Dome Cameras



DWC-V4CM
Ceiling Mount for Snapit
Outdoor Dome Cameras



DWC-V4WM
Wall Mount for Snapit
Outdoor Dome Cameras

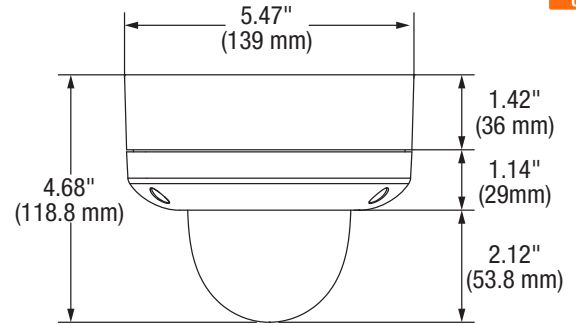


DWC-FMSNAP
Ceiling Flush Mount for Snapit
Outdoor Dome Cameras

Dimensions

unit: Inch (mm)

UNIVERSAL
HD COAX



Specifications

IMAGE	
Image Sensor	2.1MP 1/3" CMOS Sensor
Active Pixels	1944 (H) x 1092 (V)
Scanning System	Progressive Scan
Frequency	60Hz / 50Hz
Video Output	HD-Analog, HD-TVI, HD-CVI 2.1MP 1080p CVBS Analog up to 960H
Synchronization	Internal
Resolution	1920x1080 (1080p)
Minimum Scene Illumination	F1.4 (30IRE): 0.03 Lux (Color)
S/N Ratio	55dB
Signal Technology	Universal HD over Coax™ Technology with HD-Analog, HD-TVI, HD-CVI and all Analog to 960H Signal Support
Alarm Output	1 Alarm Output
LENS	
Focal Length	2.8 ~ 12mm
Lens Type	Motorized Zoom Auto-Focus P-Iris Lens
IR Distance	100ft IR
OPERATIONAL	
Shutter Speed	1/30 – 1/30,000
Backlight	Off / On
STAR-LIGHT™ (Sense-up)	Off, x2 – x32
Wide Dynamic Range (WDR)	Off / On
Wide Dynamic Range dB	100dB
Smart DNR™ 3D Digital Noise Reduction	Off, Low, Middle, High
White Balance	Auto / Auto-Ex / Preset / Manual
Day and Night	Day / Night / Auto
Mirror / Flip	Yes
Auto Gain Control	Max 60dB
Motion Detection	Yes
Privacy Zones	16 Privacy Zones
Sharpness	0 ~ 10
Gamma	0.45 ~ 0.75
ENVIRONMENTAL	
Operating Temperature	-40°F ~ 122°F (-40°C ~ 50°C)
Operating Humidity	Less than 90% (Non-Condensing)
IP Rating	IP68 Certified Water and Tamper Resistant
IK Rating	IK10-Rated Impact Resistant
Other Certifications	FCC, CE, ROHS
ELECTRICAL	
Power Requirements	DC12V
Power Consumption	DC12V: 3.0W AC24V: 2.3W
MECHANICAL	
Material	Aluminum
Dimensions	5.47 X 4.7 in (139 X 118.8 mm)
Weight	2.028lbs (0.92kg)