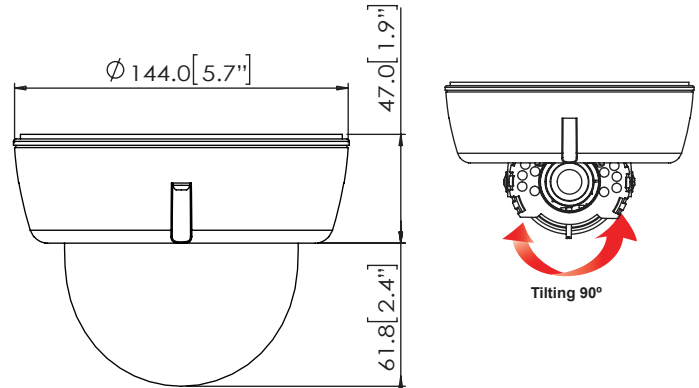




Dimensions (unit : mm)



Summary

The new MEGApix Analog Cameras are a groundbreaking technology with highest analog resolution offered in the market. The Cameras offer powerful features such as True Day & Night with IR Cut Filter, 3D Digital Noise Reduction, Smart Motion Detection with automatic digital zoom and popup alarm, De-Fog enhancement for extreme weather conditions, remote camera control via RS-485/ UTC, Alarm Output, and support for both 16:9 and 4:3 view angles. All cameras are equipped with a 1/3" 1.3MP CMOS sensor, allowing the cameras to display 800TVL in color and 820TVL in B/W mode.

Features

- 1/3" Sony 1.3M CMOS
- 820 TV Lines [B/W], 800 TV Lines [Color]
- 2.8~12mm Varifocal Auto Iris Lens
- True Day & Night with IR Cut Filter
- 3D DNR (3D Digital Noise Reduction)
- WDR (Wide Dynamic Range)
- Star-Light (Super Low Light Technology)
- HME (Highlight Masking Exposure)
- Defog (Extreme Weather Image Compensation)
- Digital Quick Zoom & 8x Digital Zoom
- 16:9 and 4:3 Viewing Modes
- AGC / BLC / AWB
- Privacy Zones (16) & Motion Detection
- Camera Control via RS-485/ UTC
- RS485, UTP, & 1 Alarm Output Built-In
- Secondary BNC Output
- IP66 Certified (Weatherproof)

Accessories (Optional)



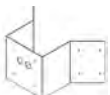
DWC-V1CM

Pendant Mount for V1, V3, V5 & V6 Housing



DWC-V1WM

Wall Mount for V1, V3, V5 & V6 Housing



DWC-V1CNM

Corner Mount for V1, V3, V5 & V6 Housing



DWC-V1JUNC

Junction Box for V1, V3, V5 & V6 Housing

Specifications

VIDEO	
Image Sensor	1/3" Sony 1.3 Mega Pixel CMOS Sensor
Active Pixels	1280 (H) x 1024 (V)
Scanning System	2 : 1 Interlace
Frequency	15.734KHz (H), 59.95Hz (V)
Synchronization	Internal
Horizontal Resolution	820 TV Lines [B/W], 800 TV Lines [Color]
Minimum Illumination	F1.2 (30IRE): 0.14 Lux [Color] F1.2 (30IRE): 0.03 Lux [B/W]
S/N Ratio	55dB (AGC off)
Video Output	CVBS: 1.0Vp-p / 75 Ω
Alarm Output	1 Alarm Output
LENS	
Focal Length	2.8~12 mm
Lens Type	Varifocal Auto Iris Lens
OPERATIONAL	
Shutter Speed	50(60) ~ 60,000s
Backlight	OFF / HME / BLC / WDR
Star-Light (Sense-Up)	OFF / x2 ~ x64
3D-DNR	OFF / Low / Middle / High
White Balance	ATW /AWB/ PUSH / MANUAL
Day and Night	Auto / Day / Night
Mirror/ Flip	OFF / ON
Auto Gain Control	0 ~ 20
Intelligent Motion Detection	Digital Quick Zoom
Motion Detection	4 Motion Regions
Privacy Zones	16 Programmable Privacy Masks
Sharpness	0 ~ 10
Gamma	0.45 ~ 0.65
De-Fog	OFF/ ON
ENVIRONMENTAL	
Operating Temperature	-20°C ~ 60°C (-4°F ~ 140°F)
Operating Humidity	Less than 90% (Non-Condensing)
IP Rating	IP66 (Protects against dust and high pressure water.)
ELECTRICAL	
Power Requirement	Dual Voltage (DC12V, 24VAC)
Power Consumption	DC12V: 3.3W, 275mA AC24V: 2.56W, 106mA
MECHANICAL	
Housing Material	Aluminum
Dimensions	145 x 108.8 mm (5.7 X 4.28 in)
Weight	1.65 lbs

*Specification is subject to change without prior notice.