

DWC-VA583WTIR



WHAT'S IN THE BOX

DC plug		1 Set	Template sheet		1 Set
Torque wrench		1 Set	Quick Setup Guide		1 Set
Screw and plastic anchor-2pcs		1 Set			

NOTE: Download all your support materials and tools in one place

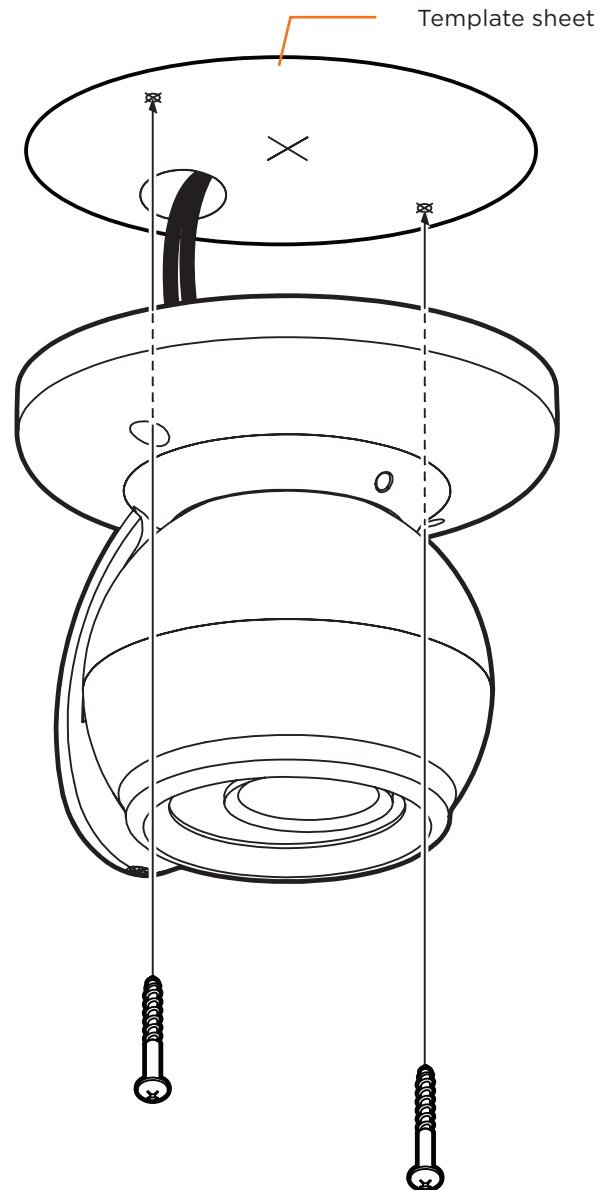
1. Go to: <http://www.digital-watchdog.com/resources>
2. Search your product by entering the part number in the 'Search by Product' search bar. Results for applicable part numbers will populate automatically based on the part number you enter.
3. Click 'Search'. All supported materials, including manuals and quick start guide (QSGs) will appear in the results.



Attention: This document is intended to serve as a quick reference for initial set-up. It is recommended that the user read the entire instruction manual for complete and proper installation and usage.

STEP 1 - PREPARING TO MOUNT THE CAMERA

1. The mounting surface must withstand five times the camera weight.
2. Do not let the cables get caught in improper places or the electric line cover can be damaged. This may cause a short or fire.
3. Use the mounting template to mark and drill the necessary holes in the mounting surface.



STEP 2 - CABLING THE CAMERA TO EXTERNAL DEVICES

Pass the wires through the mount bracket and make all necessary connections. Connect the BNC cable and power cables to the camera.

Power Requirements	Power Consumption
DC12V / AC24V dual-voltage	DC12V (LED off): 4.36W, 363mA DC12V (LED on): 7.6W, 638mA AC24V (LED off): 4.5W, 278mA AC24V (LED on): 6.27W, 456mA

STEP 3 - CHANGING THE SIGNAL IN THE CAMERA

1. The camera supports HD-Analog, HD-CVI and HD-TVI signals. To switch between the signals:
 - a. Enter the camera's OSD menu. You can access it locally from using the camera's joystick in the body of the camera, or from a recorder supporting UTC communication. Go to SETUP > OUTPUT > ANALOG MODE.
 - b. Set the camera's analog signal output from the following options:
 - HD-A: supports 5MP/1944p @ 20fps and 12.5fps, 4MP/1440p @ 30fps, 2.1MP/1080p @ 30fps and 720p @ 30fps.
 - HD-T: supports 5MP/1944p @ 20fps, 4MP/1440p @ 30fps, 2.1MP/1080p @ 30fps and 720p @ 30fps.
 - HD-C: supports 4MP/1440p @ 30fps, 2.1MP/1080p @ 30fps and 720p @ 30fps.
 - CVBS: supports up to 960H @ 30fps
 - c. Change CONFIRM to ON to save the changes.
 - d. Go to the EXIT menu and select SAVE&EXIT to save all changes. The camera signal automatically.

OUTPUT	
FRAME RATE	1440p 30
FREQ	60HZ
ANALOG MODE	HD_T
CONFIRM	OFF
RETURN	←

STEP 4 - INSTALLING THE CAMERA

1. Once all cables have been connected, use the screws included with the camera to properly mount and secure the camera to the mounting surface.
2. Adjust the camera's pan, tilt and position to achieve the desired view. To adjust the camera's angle, loosen the pan/tilt/rotation screw at the base of the camera. . The cameras' max angles are:
 - Pan: 0° - 360°
 - Tilt: 0° - 90°
 - Rotation: 0° - 360°
3. The DWC-VA583WTIR camera includes a vari-focal p-iris lens with motorized zoom and auto-focus. The zoom and focus can be controlled using the up the coax (UTC) communications. Simply connect the camera to a UTC enabled DVR and adjust the camera's zoom and focus remotely from the DVR.
4. Once the installation is complete, tighten the pan/tilt/rotation screw until it's secure.

