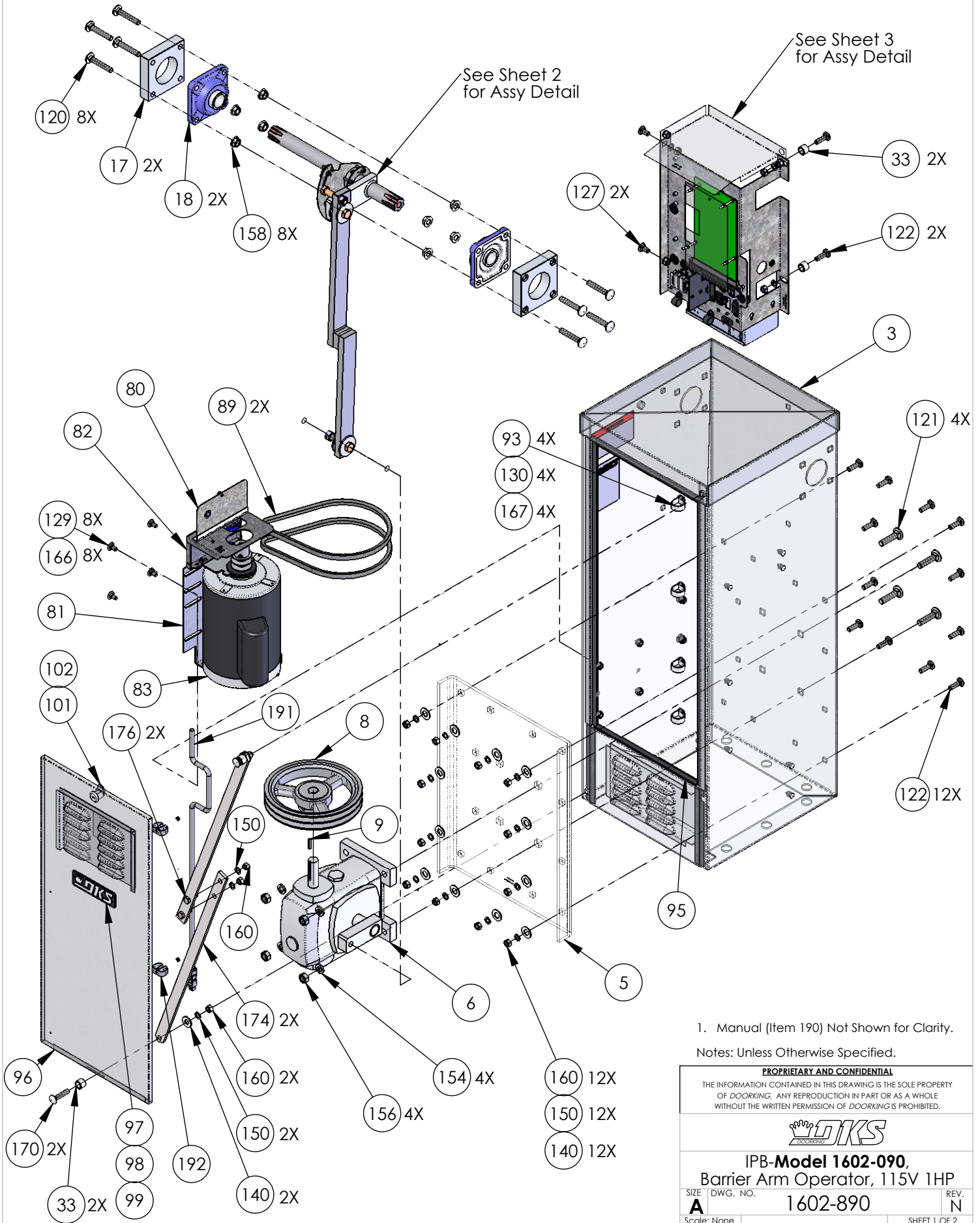



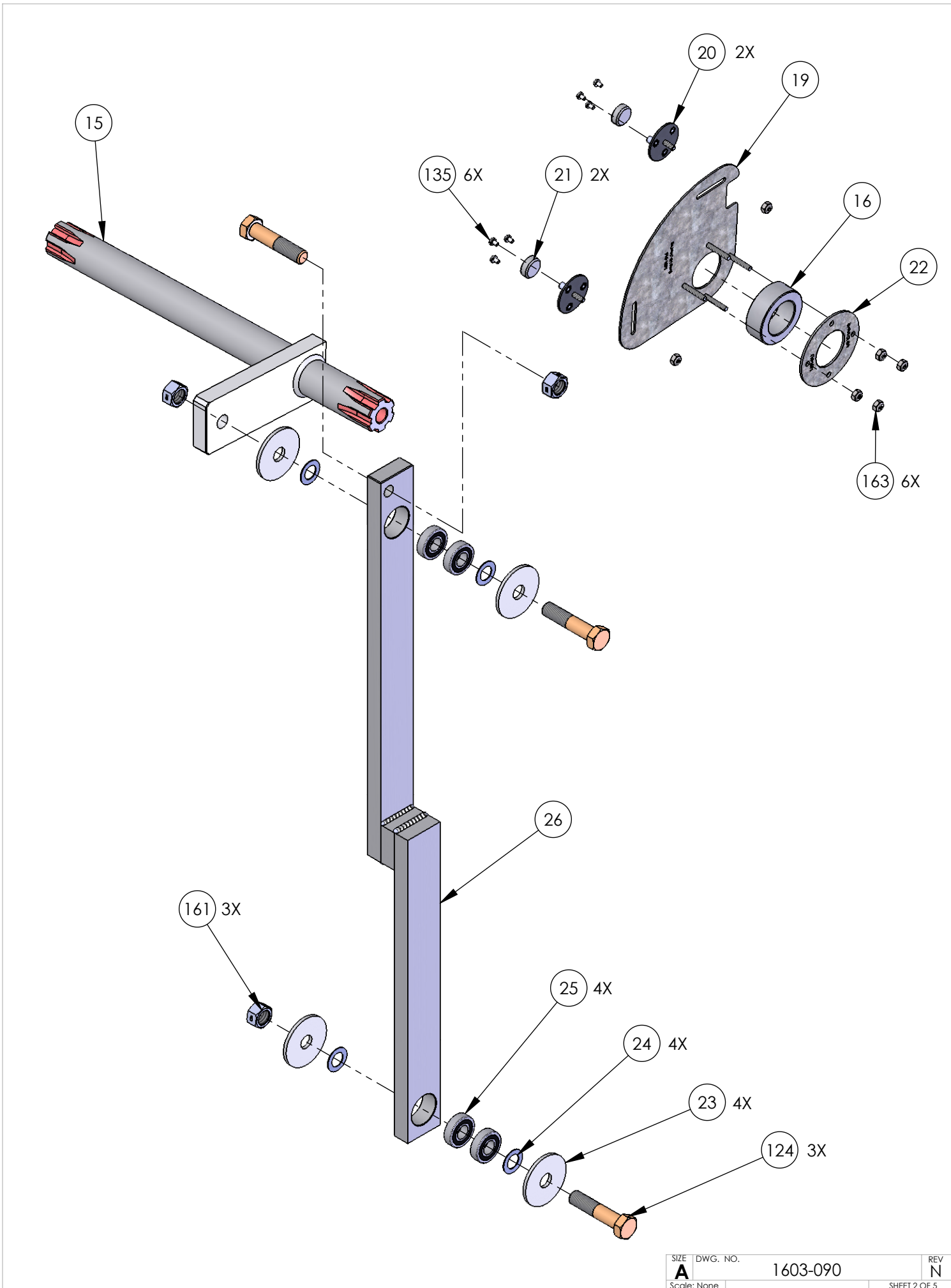
REVISIONS

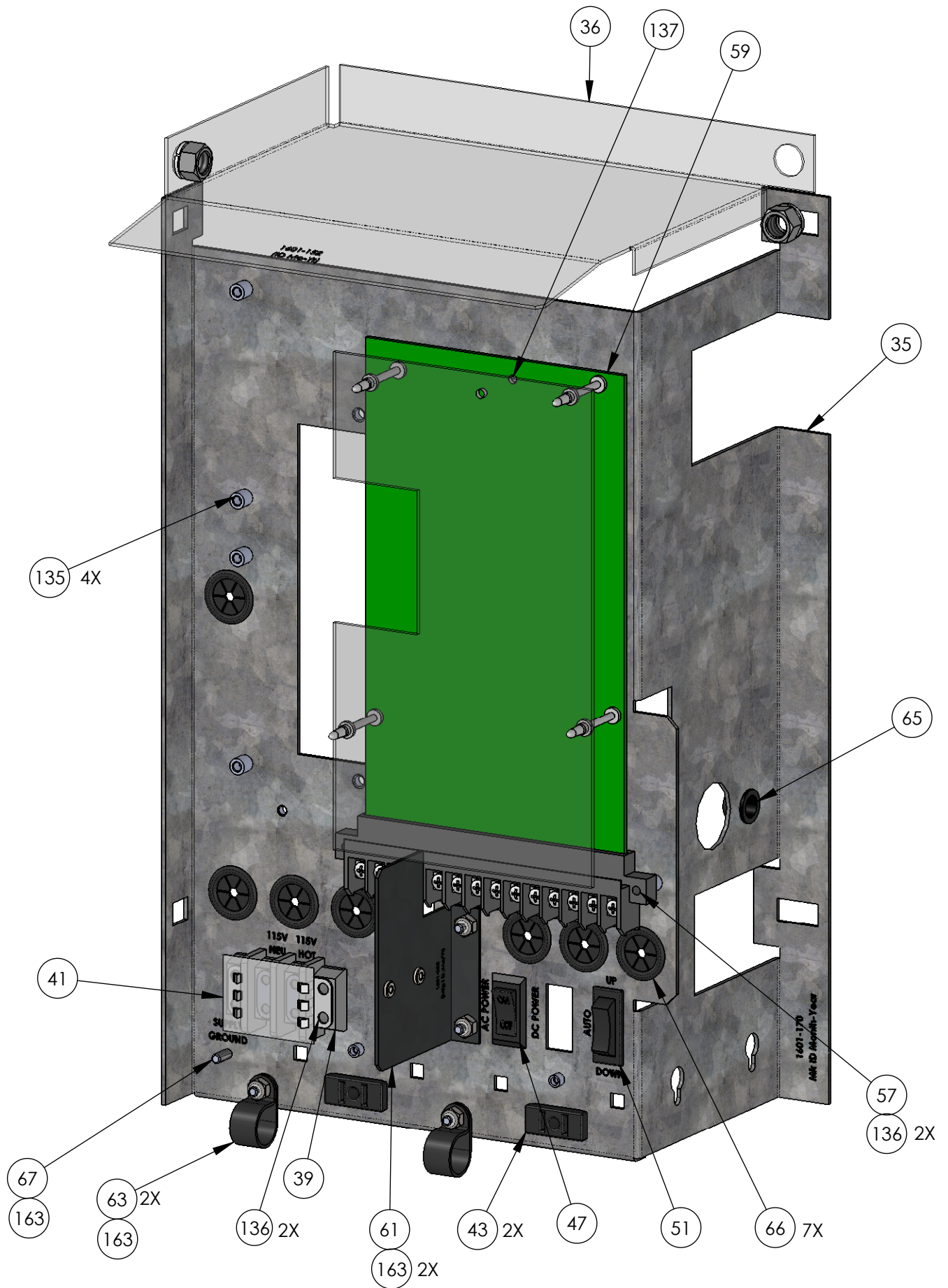
REV.	DESCRIPTION	DATE	BY
D	Add (2) 2615-674 Car Bolt, (2) 2600-147 Spacer, (2) 1602-240 Brace, (2) 2620-021 Washer, (4) 2620-047 L Wshr, (2) 2615-052 Hex Bolt 3/8-16 x 1", (4) 2620-405 Nut, Change 2600-089 30Belt to 2600-690 29Belt	4/5/11	DC
E	Remove Motor Assy 2601-163, Add 2600-163 Motor Assy	12/9/14	DC
N	Update to Rocker Switches and Panel, Add manual crank components	12/16/20	DC



1. Manual (Item 190) Not Shown for Clarity.
Notes: Unless Otherwise Specified.

PROPRIETARY AND CONFIDENTIAL		
THE INFORMATION CONTAINED IN THIS DRAWING IS THE SOLE PROPERTY OF DOORING. ANY REPRODUCTION IN PART OR AS A WHOLE WITHOUT THE WRITTEN PERMISSION OF DOORING IS PROHIBITED.		
		
IPB-Model 1602-090, Barrier Arm Operator, 115V 1HP		
SIZE	DWG. NO.	REV.
A	1602-890	N
Scale: None		SHEET 1 OF 2





69 →

BILL OF MATERIALS-- MODEL 1602-090 BARRIER ARM OPERATOR REV. N 12/15/20

ITEM	NUMBER	QTY	DESCRIPTION
1	1602-890	1 EA	IPB Operator
3	1602-200	1 EA	Housing 1602
5	1602-016	1 EA	Mount Plate Gearbox
6	2600-718	1 EA	Gearbox Barrier Arm 1602
8	1602-050	1 EA	Pulley Dual 8"OD 7/8"ID
9	1601-019	1 EA	Keyway 3/16"x3/16"x1"
10	2616-094	1 EA	Set Screw 5/16-18 x1/4
14	7082-137	1 EA	Wire 5" Green
15	1601-222	1 EA	Shaft Assembly 1601 Splined
16	2600-061	2 EA	Collar 2"OD x 1 1/4"ID x 5/8"L
17	1200-011	2 EA	Spacer Pillowblock Bearing
18	1200-010	2 EA	Hinge Bearing
19	1601-016	1 EA	Mount Plate Magnet
20	1601-044	2 EA	Holder - Magnet
21	2600-817	2 EA	Magnet
22	1601-017	1 EA	Collar "Sandwich" Plate
23	2620-131	4 EA	Washer 1 7/8"ODx1/2"ID 1/8 T
24	1601-060	4 EA	Bearing-Sealed 1/2ID x 1 1/8OD
25	1601-185	4 EA	Washer Race .515"IDx.875"OD CH
26	1602-031	1 EA	Connecting Link
33	2600-147	4 EA	Spacer Steel .75"ODx.53IDx.56L
35	1601-170	1 EA	Mount Plate - PC Board Bottom
36	1601-152	1 EA	Mount Plate - PC Board Top
39	2600-414	1 EA	Terminal Block-2 Position
41	3129-002	1 EA	Terminal Block Cover 2 Position
43	1200-028	2 EA	Outlet Snap-In
47	2600-402	1 EA	Switch Rocker SPST 2POS
51	1400-032	1 EA	Switch Rocker ON-OFF Momentary
57	1601-007	1 EA	Terminal 14 Pin
59	1601-010	1 EA	PCB Parking Gate
61	1601-055	1 EA	Divider - High/Low Voltage
63	2600-619	2 EA	Wire Cilp
65	2600-820	1 EA	Bushing 1/2
66	2600-810	4 EA	Bushing 7/8
67	2600-439	1 EA	Washer Cup - Brass
80	1603-032	1 EA	Manual Safety Interlock Assy
81	2600-837	1 EA	Motor Base 1 HP
83	2600-384	1 EA	Motor Assy 1HP 2V Pulley Crank
89	2600-690	2 EA	Belt 29"
93	2600-639	4 EA	Wire Clamp-1"
95	4001-018	6 FT	Weather Stripping
96	1602-075	1 EA	Door
97	1897-052	2 EA	Gasket
98	2600-732	1 EA	Nameplate Plastic DKS Big
99	2802-040	2 EA	Washer Push on Clamp
100	2599-008	1 EA	Label Patent

(Continued)

ITEM	NUMBER	QTY	DESCRIPTION
101	4001-035	1 EA	Lock Key 16120
102	1702-503	1 EA	Cam 1 1/4
105	2599-104	2 EA	Sign Warning
106	2599-199	1 EA	Label Universal
110	1601-008	1 EA	Wire Set 1601/1602
112	1804-031	6 EA	Tie Wrap 4"
113	2600-749	2 EA	Wire Connector STA-KON RC6
120	2615-690	8 EA	Bolt Carriage 7/16-14 x2 WhtSS
121	2615-694	4 EA	Bolt Carriage 1/2-13 x 2 White
122	2615-669	14 EA	Bolt Carriage SS 3/8"x16x11/4"
124	2615-184	3 EA	Bolt Hex Head 1/2-13x2 1/4 GR8
127	2615-667	4 EA	BoltCarr SS 3/8"x16x3/4"Paint
129	2615-662	8 EA	BoltCarr SS 5/16"x18x5/8"Paint
130	2615-645	11 EA	Bolt Carr SS 10-32x5/8"Painted
135	2616-006	6 EA	Screw Phillips Head 6-32x3/16
136	2616-003	4 EA	Screw Phillips Head 6-32x3/4SS
137	2616-002	1 EA	Screw Phillips Head 6-32 x 1/2
140	2620-021	14 EA	Washer 1/2 " SAE
141	2802-003	2 EA	Washer #8 SAE
142	2620-029	2 EA	Washer 3/8" USS
150	2620-047	22 EA	Lockwasher 3/8"
154	2620-050	4 EA	Lockwasher 1/2"
156	2620-420	4 EA	Nut Hex 1/2-13
158	2620-413	8 EA	Nut Hex Flange Lock 7/16-14
160	2620-405	22 EA	Nut Hex 3/8-16
161	2620-320	3 EA	Nut Center Lock 1/2-13
162	2620-401	2 EA	Nut Hex 8-32
163	2902-004	9 EA	Nut Nylon Lock 8-32
166	2620-411	8 EA	Nut Hex Flange Lock 5/16-18
167	2902-006	14 EA	Nut Nylon Lock 10-32
170	2615-674	2 EA	Carriage Bolt 3/8-16 x 1 1/4
174	1602-240	2 EA	Brace Diagonal
176	2615-052	2 EA	Bolt 3/8-16 x 1 Hex
180	2599-220	1 EA	Label Caution Remove Rod
185	2599-039	1 EA	Label Electrical Hazard
190	1601-065	1 EA	Manual Installation
191	1603-001	1 EA	Crank Handle
192	2600-214	2 EA	Spring Clip