

# 1830 Series Voice / Data (programming) Connection Options



## Dial-Up Modem

Simple method to program DKS entry systems using the POTS line and built-in modem at the entry system. The POTS line is also used for voice communication.

### Hardware Requirements at Entry System

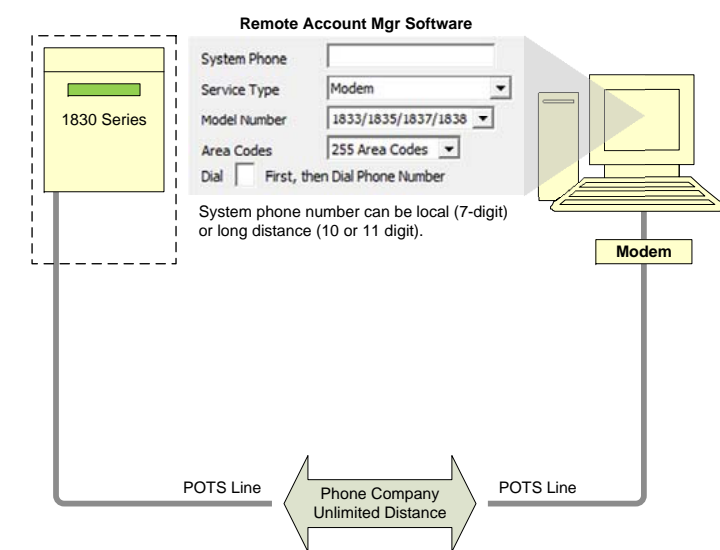
POTS (Plain Old Telephone Service) telephone line. In some cases, digital phone service (VoIP for example) may negatively affect modem service.

### Hardware Requirements at PC

Modem and POTS line.

### Other Considerations

- No additional hardware at entry system.
- No distance limitations.
- Live transactions are not available using this method.
- Modem communication can be spotty in certain areas and may not work at all in other areas.
- Modem communication using POTS lines may become unreliable as telecommunication providers update their systems to modern technologies that do not support modem communication.



## RS-232 Direct Connection (Cable)

The RS-232 connection is separate from the built-in modem and does not use the telephone line connected to the system for data communication.

### Hardware Requirements at Entry System

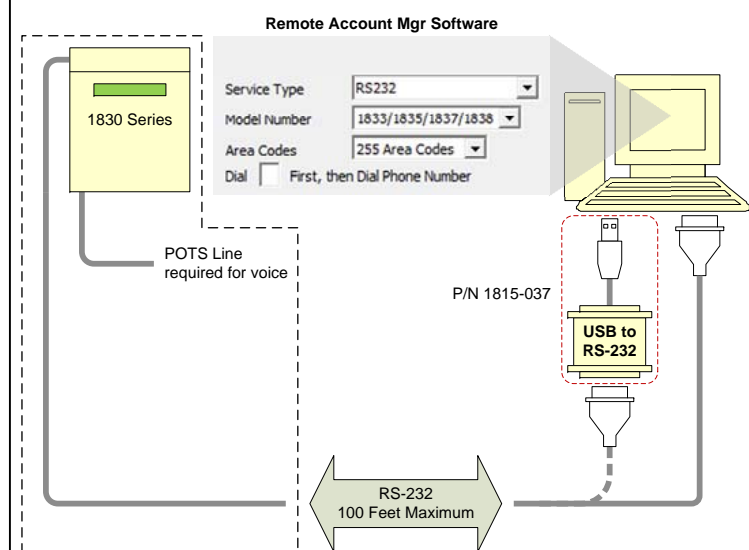
RS-232 5-conductor, shielded serial cable direct to PC.  
 POTS line required for voice communication.

### Hardware Requirements at PC

USB to serial adapter (P/N 1815-037) if connecting more than one entry system to PC.

### Other Considerations

- Recommended maximum distance from the entry system to the PC - 100 feet.
- Additional PCs may be connected using this method. Each must have its own COM port set in the software.
- Data transfer between PC and entry system limited to a single active transmission.
- Live transaction feature is available.



## RS-232 to RS-422 Direct Connection (Cable)

This is similar to the RS-232 direct connection. However, the RS-232 signal is converted to an RS-422 format, allowing for a greater distance in the cable run.

### Hardware Requirements at Entry System

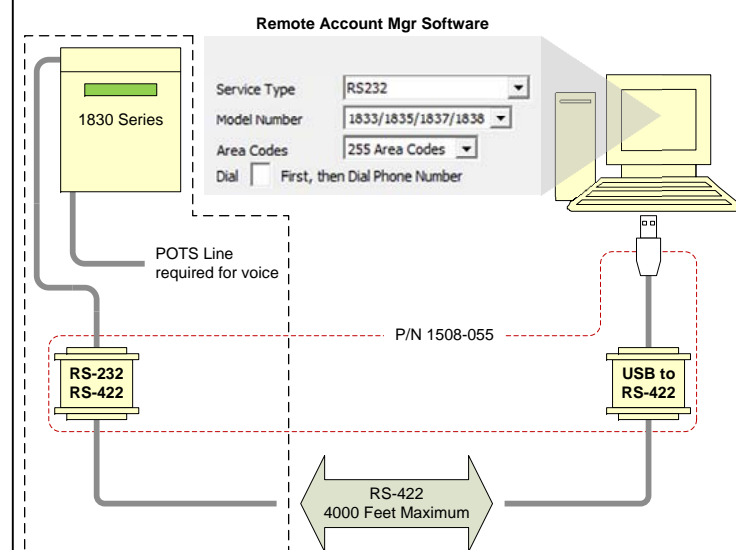
RS-422 to RS-232 adapter (included in kit).  
 CAT-5 cable direct to PC.  
 POTS line required for voice communication.

### Hardware Requirements at PC

RS-422 to USB adapter kit (P/N 1508-055)

### Other Considerations

- Distance from the entry system to the PC is limited to 4000 feet maximum.
- Additional PCs may be connected using this method. Each must have its own COM port set in the software.
- Data transfer between PC and entry system limited to a single active transmission.
- Live transaction feature is available.



## RS-232 Wireless Connection

This is the same as the RS-232 direct connection, but data is sent and received via a wireless interface. This provides an RS-232 connection in applications where running a cable is not practical.

### Hardware Requirements at Entry System

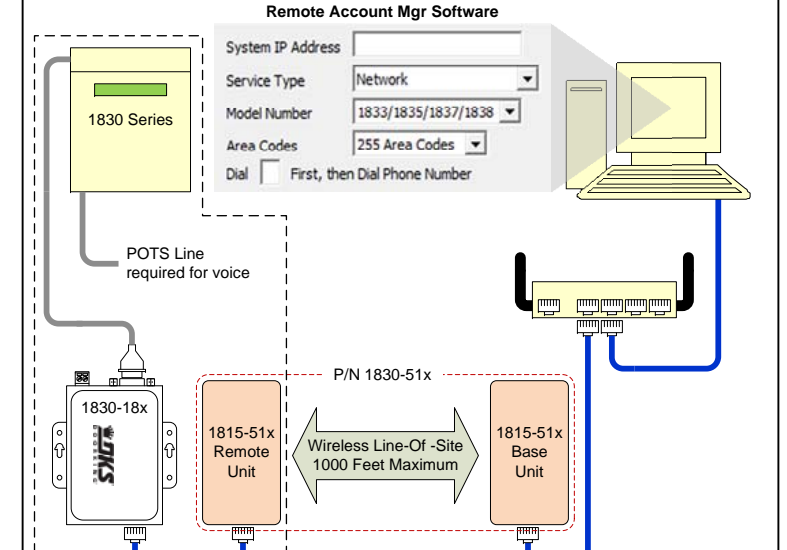
Wireless Adapter Remote unit.  
 TCP/IP adapter, either 1830-185 or 1830 -186 (see reverse side for explanation of differences).  
 POTS line required for voice communication.

### Hardware Requirements at PC

Wireless Adapter Base unit.

### Other Considerations

- Wireless adapters are sold as sets only – they cannot be mixed and matched.
- 1815-510 (1 base unit, 1 remote unit)
- 1815-511 (1 base unit, 2 remote units)
- 1815-512 (1 base unit, 3 remote units)
- Distance from the entry system to the PC is line-of-site.
- 1830-185 (TCP/IP adapter manual setup)
- 1830-186 (TCP/IP adapter plug & play)
- Data transfer between PC and entry system limited to a single active transmission.
- Live transaction feature is available.



# 1830 Series Voice + Data (programming) Connection Options



## DKS Cellular

Simplest and easiest method to program DKS entry systems from your PC via the Internet using the AT&T Cellular network.

### Hardware Requirements at Entry System

Voice + Data Cellular adaptor (P/N 1800-080).

### Hardware Requirements at PC

Internet connection (wired or wireless) for programming.

### Other Considerations

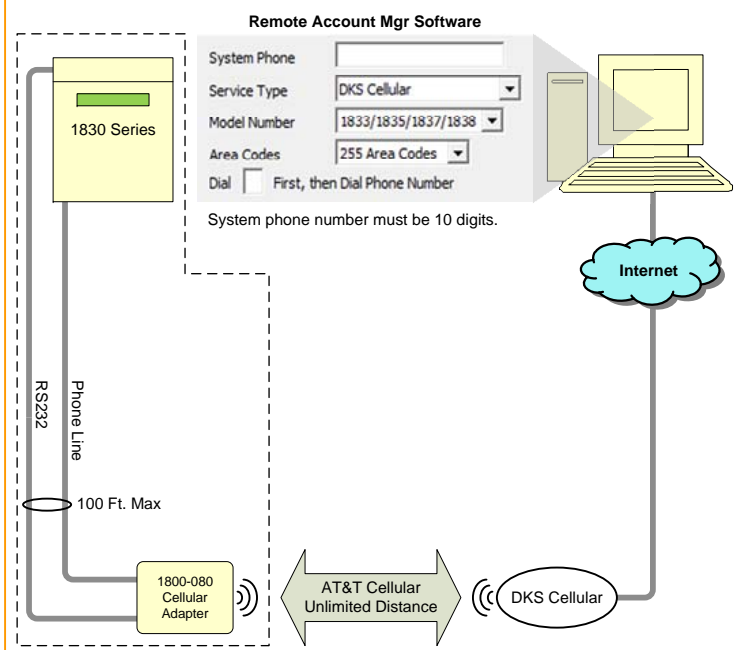
Programming and voice communication provided via AT&T 4G LTE Cellular network where available.

RS232 connection from cellular adaptor to 1830 Series entry system limited to 100 feet maximum.

No POTS line required.

Live transactions are not available using this method.

Monthly cellular rates apply.



## IM Sever Modem

Easy method to program DKS entry systems from your PC via the Internet using the POTS line at the entry system.

### Hardware Requirements at Entry System

POTS (Plain Old Telephone Service) telephone line. In some cases, digital phone service may negatively affect modem service. The IM Server Modem is not compatible with VoIP services.

### Hardware Requirements at PC

Internet connection (wired or wireless) for programming.

### Other Considerations

No additional hardware at entry system or PC.

No distance limitations.

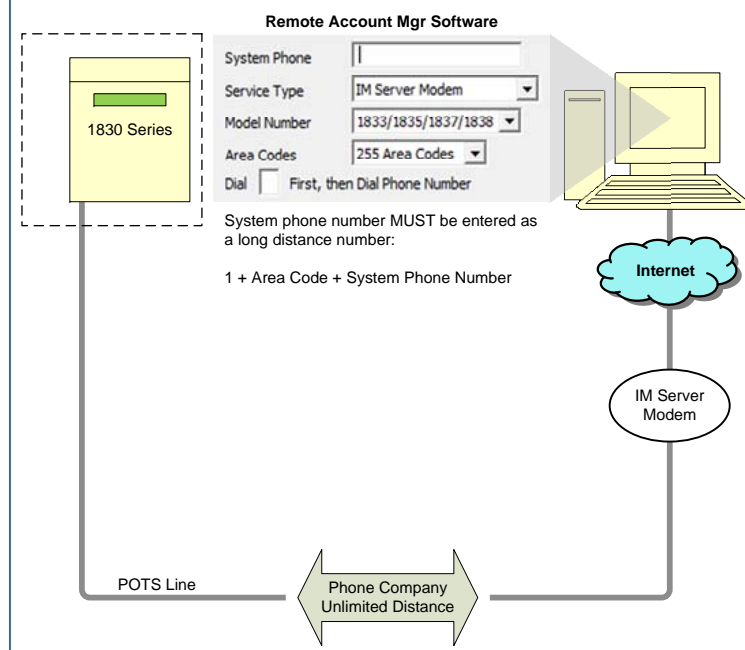
PC can connect to multiple systems simultaneously (through the internet) using this method.

Backwards compatible, can be used with DKS systems 10+ years old with no hardware changes required.

Live transactions are not available using this method.

IM Server registration is required and is a fee based service.

Modem communication can be spotty in certain areas and may not work at all in other areas. Modem communication using POTS lines may become unreliable as telecommunication providers update their systems to modern technologies that do not support modem communication.



## IM Server Client Plug & Play

Using 1830-186 TCP/IP network adaptor at the entry system, connecting via the internet is automatic via the IM Server Client host.

### Hardware Requirements at Entry System

TCP/IP Network adaptor (P/N 1830-186).

Ethernet connection.

Voice communication: POTS line OR VoIP Adaptor by VoIP service provider.

### Hardware Requirements at PC

Internet connection (wired or wireless) for programming.

### Other Considerations

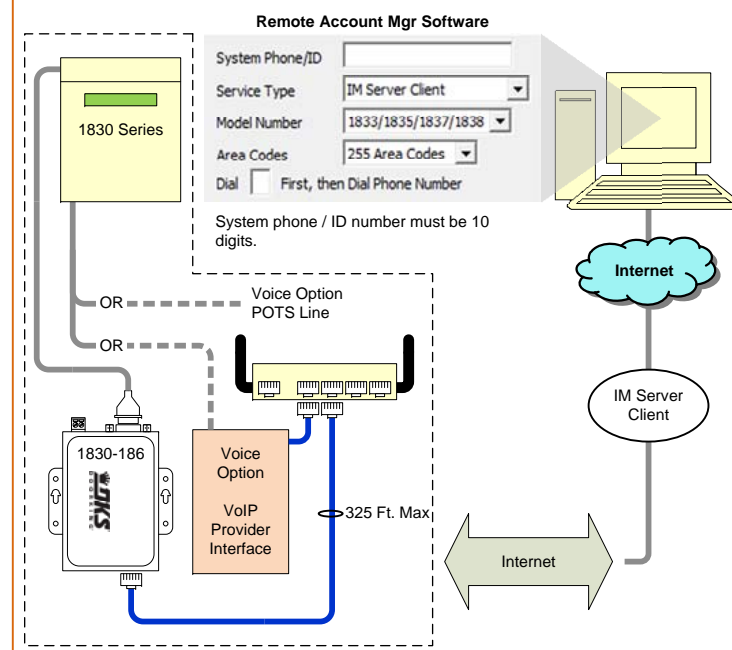
CAT-5 cable distance from entry system to router is limited to 325 feet.

115 VAC power required at phone system to power network adaptor.

PC can connect to multiple systems (through the internet) using this method.

Live transactions feature is available using this method.

IM Server registration is required and is a fee based service.



## Via LAN / WAN Manual Setup

Using 1830-185 TCP/IP network adaptor at the entry system, you can connect to the system by assigning an IP address to the network adaptor, or you can use a DDNS host address.

### Hardware Requirements at Entry System

TCP/IP Network adaptor (P/N 1830-185).

Ethernet connection.

Voice communication: POTS line OR VoIP Adaptor by VoIP service provider.

Static ISP Address or DDNS Host.

### Hardware Requirements at PC

Internet connection (wired or wireless) for programming.

### Other Considerations

CAT-5 cable distance from entry system to router is limited to 325 feet.

115 VAC power required at phone system to power network adaptor.

PC can connect to multiple systems (through the internet) using this method.

Live transactions feature is available using this method.

Requires DDNS (Dynamic Domain Name Service) host service or Static ISP Address.

Requires network configuration to establish port forwarding. May require firewall configuration to allow connection from outside the firewall.

