

Use these programming instructions only if the factory defaults in the converter need to be changed

A Windows (Computer) Settings

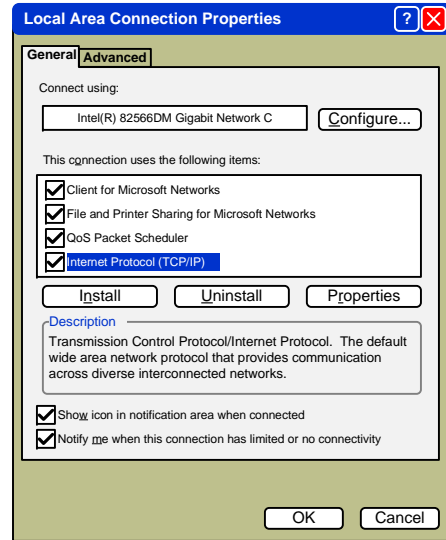
The following defaults in the **CONVERTER** are factory set. If they are satisfactory to your system, there is no need to change them.

IP Address: 192.168.1.40
 Gateway: 192.168.1.1
 Port: 1040
 Baud: 19200

- 1 If these defaults are not satisfactory, navigate to **Local Area Connections** in Windows. (Start – Control Panel – Network Connections – Properties)

Highlight **Internet Protocol (TCP/IP)**

Then click **Properties** to show the Internet Protocol (TCP/IP) Properties Window.

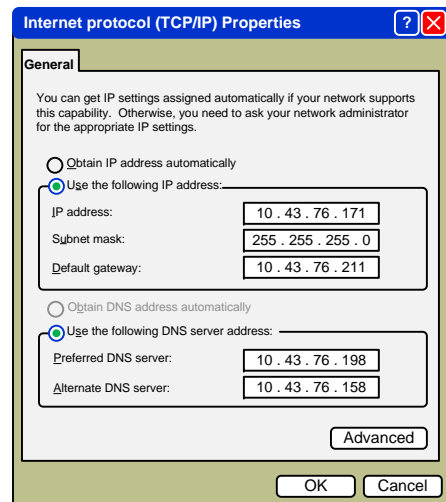


Before proceeding, write down the numbers (or take a screen print) in this window. You are only going to change the IP Address and you will need to put the same IP Address number back when programming of the **CONVERTER** is complete.

- 2 Ex: write down the numbers: (these numbers will not be the same in your computer)

IP Address: 10.43.76.171
 Subnet mask: 255.255.255.0
 Default gateway: 10.43.76.211

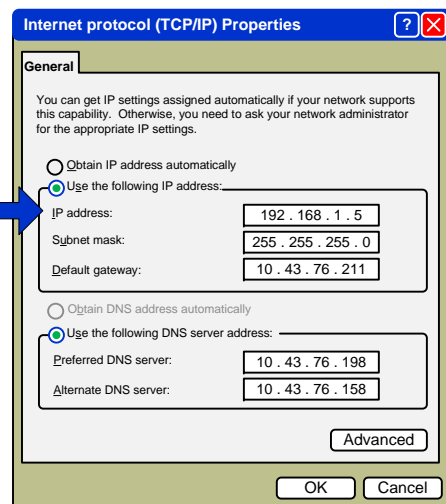
Preferred DNS server: 10.43.76.198
 Alternate DNS server: 10.43.76.158



- 3 Change IP Address to: **192.168.1.5**

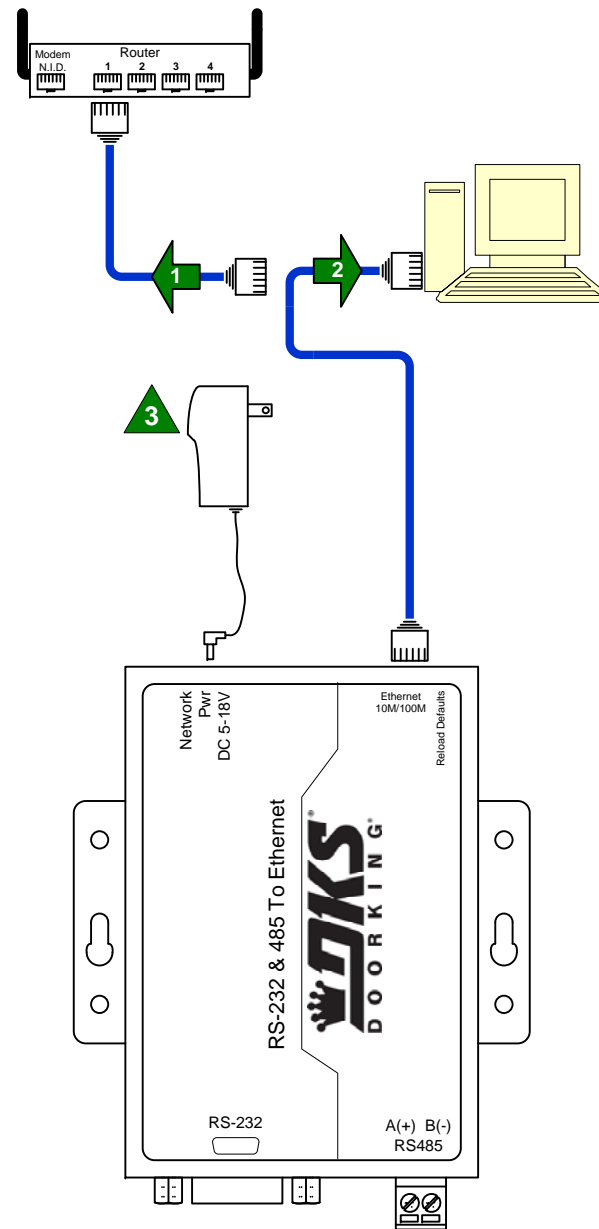
(This will allow your PC to connect to the **CONVERTER** so that you can change its settings.)

IMPORTANT! When you are finished configuring the **CONVERTER**, you must set the **IP Address** back to the original settings in order to get access back to your network.



B Connect 1830-188 for Programming

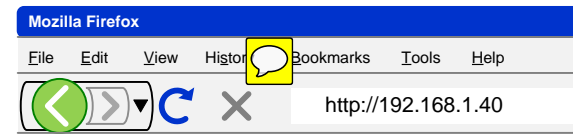
1. Unplug the network cable from your PC.
2. Using the **network cable supplied** with the 1830-185 kit, plug one end into your PC and the other into the **CONVERTER**.
3. Power the **CONVERTER** with the supplied power supply.
4. When completed, don't forget to plug the network cable back into the PC and the 1830-188 cable back into the router.



C Accessing the 1830-188 Menus

1. Open any browser and type in the address of the **CONVERTER**: **http://192.168.1.40**

The user Log In window for the **CONVERTER** will appear.



Please login:

User name:
 Pass word:

2. Enter the User name and pass word:
 User name: admin
 Pass word: admin

The Status and Configuration window will appear.

Status and Configuration

1. Current config and status
2. Port0 settings
3. Port1 settings
4. Port2 settings
5. Web to Serial
6. Miscellaneous settings

| | |
|--------------------|-------------------|
| Name: | USR-TCP232-E45 |
| Firmware Revision: | 2017 |
| IP Address: | 192.168.1.40 |
| MAC Address: | d8-b0-4c-00-2d-f6 |

You can access settings of the **CONVERTER** by using the menu at the left in the Status and Configuration screen. Only selections 1, 2 and 6 apply to this module.

It is highly recommended that you **DO NOT** change the password on the authentication screen. DoorKing will not be able to assist you if you don't know your ID or password. This system status window is informational and there's no need to change anything here.

Reset:

1. Remove power from module.
2. Press the Reload button and apply power.
3. Hold the reload button for 3 seconds, then release.

Module is now reset. TCP IP address will be 192.168.1.40. User name and password will be admin. All other settings will need to be configured.

D Changing 1830-188 Settings

1. Current config and status
2. Port0 settings
3. Port1 settings
4. Port2 settings
5. Web to Serial
6. Miscellaneous settings

Port 0 Settings

The current settings for port 0 may be changed using the form below. To make the new settings apply each time the S2E module is reset, ensure that "Save these as next reset default settings" is checked before pressing the "Submit" button. If this control is not checked, the changes applied to the port but the existing defaults are used whenever the module is next reset.

| | |
|---|--|
| Updated | |
| Baud Rate: | 19200 bits/S |
| Data Size: | 8 bits/character |
| Parity: | None |
| Stop Bits: | 1 bit(s) |
| Flow Control and RS485: | Hardware |
| Local Port Number: | 1040 <input type="checkbox"/> Bind local port (when TCP Client) |
| Remote Port Number: | 23 |
| Work Mode: | TCP Server <input type="checkbox"/> None <input type="checkbox"/> Modbus TCP |
| TCP Server detail: | 8 max, typical type |
| Remote Server Addr: | 192.168.0.201 (N/A) |
| Timeout: | 0 seconds (<256, 0 for no timeout) |
| UART packet Time: | 10 ms (<256) |
| UART packet length: | 512 chars (<1024, 0 for no use) |
| Sync Baudrate (RF2217 similar): | <input checked="" type="checkbox"/> |
| <input type="button" value="Submit"/> <input checked="" type="checkbox"/> Save these as next startup default settings | |

Notes:
 Baud Rate can only be set to 9600 or 19200. These are the only two speeds that 1830 Series boards will run at. Leave all other settings as shown when the converter is used in the **Server Mode**.

IP Address Selection

1. Current config and status
2. Port0 settings
3. Port1 settings
4. Port2 settings
5. Web to Serial
6. Miscellaneous settings

| | |
|--|---------------------|
| Address Type: | Static IP |
| Static IP Address: | 192 . 168 . 1 . 40 |
| Subnet Mask: | 255 . 255 . 255 . 0 |
| Default Gateway: | 192 . 168 . 1 . 1 |
| <input type="button" value="Update Settings"/> | |

Notes:
 These are the default settings and should be left alone. If the static IP address is changed, the module will lose communication with the PC. You will need to log into the module at the new IP address using the browser.

Password Settings

| | |
|--|-------|
| User name: | admin |
| Pass word: | admin |
| <input type="button" value="Change Password"/> | |

Notes:
 Enter a new user name and password if desired. The default user name and password (admin, admin) will restore after the module is reset with the reset button.

General Configuration Settings

| | |
|--|------------------|
| Module Name: | USR-TCP232-E45 |
| UPnP port number: | 6432 |
| HTTP server port number: | 80 |
| Module Id (use for identify module): | 1 (1-65535) |
| Module Id type (0: no use, 1: send id when connect, 2: send id when send data, 3: both): | 0 (0/1/2/3) |
| MAC Address: | d8-b04c-00-2d-f6 |
| <input type="button" value="Update Settings"/> | |

Notes:
 All of these settings should be left in the default mode including the HTTP port setting of 80.

IMPORTANT! When you are finished configuring the **CONVERTER**, you must set the Internet Protocol (TCP/IP) Properties screen on your PC back to its original settings in order to get access back to your network.

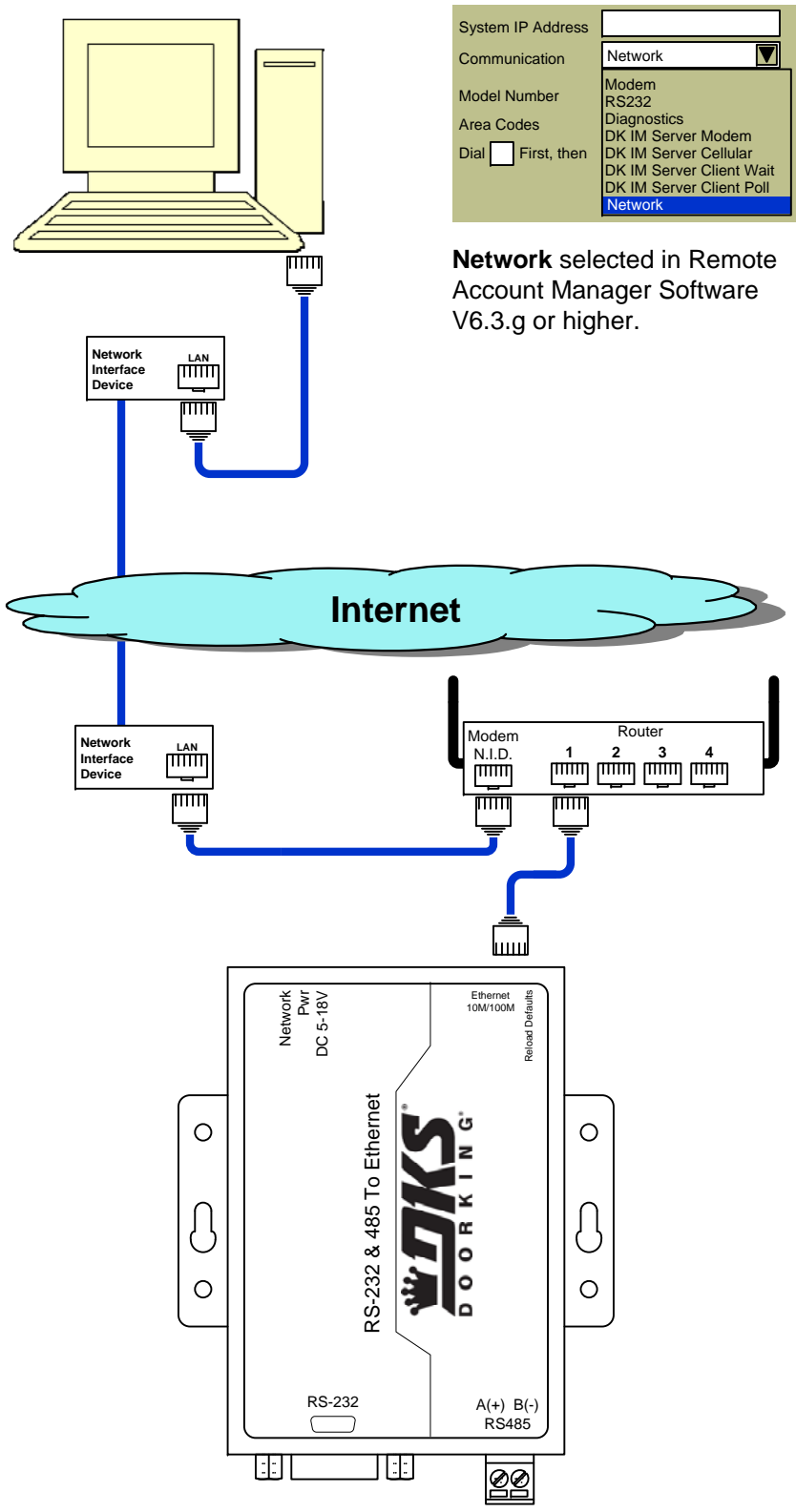
Follow the instructions **A 1** to get to the Internet Protocol (TCP/IP) Properties screen and then put your old settings back. **A 2**

Don't forget to plug the network cable back into the PC **B 1** and the **CONVERTER** cable back into the router. **B 2**

INSTRUCTIONS FOR 1830-185 TCP/IP SERVER MODE to RS-232 CONVERTER KIT



Connection via INTERNET



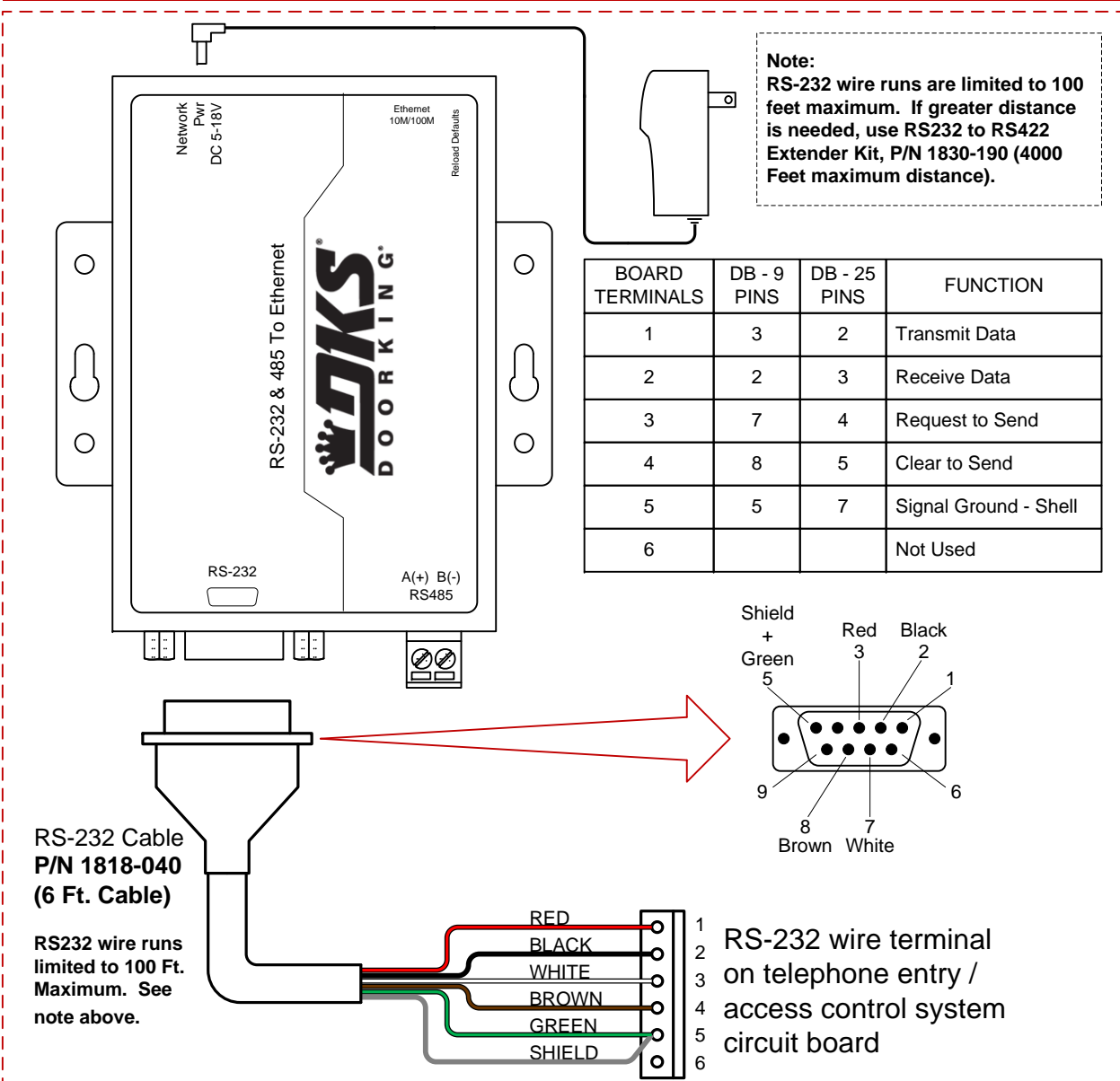
General Information

Use these instructions when you are using the TCP/IP adapter in **SERVER MODE**. If you want to use the TCP/IP adapter in **CLIENT MODE**, you must use adapter part number 1830-186 and refer to instruction sheet 1830-182.

You can use the 1830-185 Converter Kit with the following DKS Systems:
 1830 Series Telephone Entry and Access Control Systems (1833, 1834, 1835, 1837, 1838).

Refer to these instruction manuals for additional information:
 P/N 1835-065 Telephone Entry Systems Installation Manual
 P/N 1838-065 Access Controller Installation Manual
 P/N 1835-066 Remote Account Manager Software User Manual

Connect Converter to 1830 Series Circuit Board RS-232 Terminals



Connection via LAN

