

# -195 / -197 / -198 HEATER KITS

DoorKing Part Numbers:

**1601-195 Kit**  
115 VAC Model  
6.6 Amp

**1601-197 Kit**  
208/230 VAC Models  
3.3 Amp

**1601-198 Kit**  
460 VAC Models  
3.3 Amp

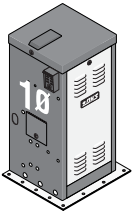
These kits are designed for the **9200 • 9500 • 6300** 208 & 230 VAC Input power or 460 VAC Input power  
**• 6550** 208 & 230 VAC Input power or 460 VAC Input power • **6555** 230 VAC Input power  
**• 9000** 208 & 230 VAC Input power or 460 VAC Input power • **9024** AC powered 230 VAC ONLY  
**• 9150** 208 & 230 VAC Input power or 460 VAC Input power • **1601/1602/1603** 208 & 230 VAC Input power or 460 VAC Input power model gate operators. For cold weather climates where temperatures routinely drop below 10°F (-12°C).  
 A built-in thermostat will automatically control the temperature inside operator housing.  
 Find your **“SPECIFIC” operator** on the next 15 pages.

## 9200 Specifications Tables

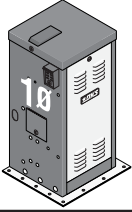
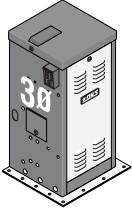
### High Voltage AC Input Power for the 9200 Gate Operator with a Heater

The 9200 draws significant power and should have a **“Dedicated”** circuit breaker at the power source.  
 If power wiring is greater than the maximum distance shown, it is recommended that a service feeder be installed. When large gauge wire is used, a separate junction box must be installed for the operator connection. Wire run calculations are based on NEC 310.15(B)(16) with a maximum voltage drop of 3%. These wire runs are a general guideline but it is highly suggested that individual calculations are made for your specific installation as these distances may vary. **Never** run low voltage rated wire insulation in the same conduit as high voltage rated wire insulation.

### High voltage AC input wire size and distance limitations for a 9210 - 115 VAC with a heater.

Phase	Model	Horsepower	Volts	Operator and Heater Amps	Wire Size / Max Distance in Feet				Heater Kit P/N
					12 AWG	10 AWG	8 AWG	6 AWG	
	9210	1	115 VAC	16.3	50	80	130	210	1601-195

### High voltage AC input wire size and distance limitations for a 9200 - 208/230 VAC OR 460 VAC with a heater.

Phase	Model	Motor Horsepower	Volts	Operator and Heater Amps	Wire Size / Max Distance in Feet				Heater Kit P/N
					12 AWG	10 AWG	8 AWG	6 AWG	
	9210	1	208 VAC	8.4	180	290	470	750	1601-197
			230 VAC	8.3	210	330	530	840	1601-197
	9220	2	208 VAC	15.0	100	160	260	420	1601-197
			230 VAC	14.8	110	180	290	470	1601-197
	9210	1	208 VAC	6.7	270	430	680	1090	1601-197
			230 VAC	6.6	300	480	770	1220	1601-197
			460 VAC	5	800	1280	2040	3240	1601-198
	9220	2	208 VAC	10.0	180	290	460	730	1601-197
			230 VAC	9.6	210	330	530	840	1601-197
			460 VAC	6.6	610	970	1540	2450	1601-198
	9230/9240	3	208 VAC	13.2	130	210	340	550	1601-197
			230 VAC	13.0	150	240	390	620	1601-197
	9235	3	208 VAC	16.2	110	170	280	450	1601-197
			230 VAC	16.0	120	200	310	500	1601-197

Installation on next page.



# 9200 Installation of Heater

DoorKing Part Numbers

**1601-195 Kit**  
115 VAC Model  
6.6 Amp

**1601-197 Kit**  
208/230 VAC Models  
3.3 Amp

**1601-198 Kit**  
460 VAC Models  
3.3 Amp

**Shut off the AC input power to the operator from the circuit breaker.**

Wire run tables on previous page.

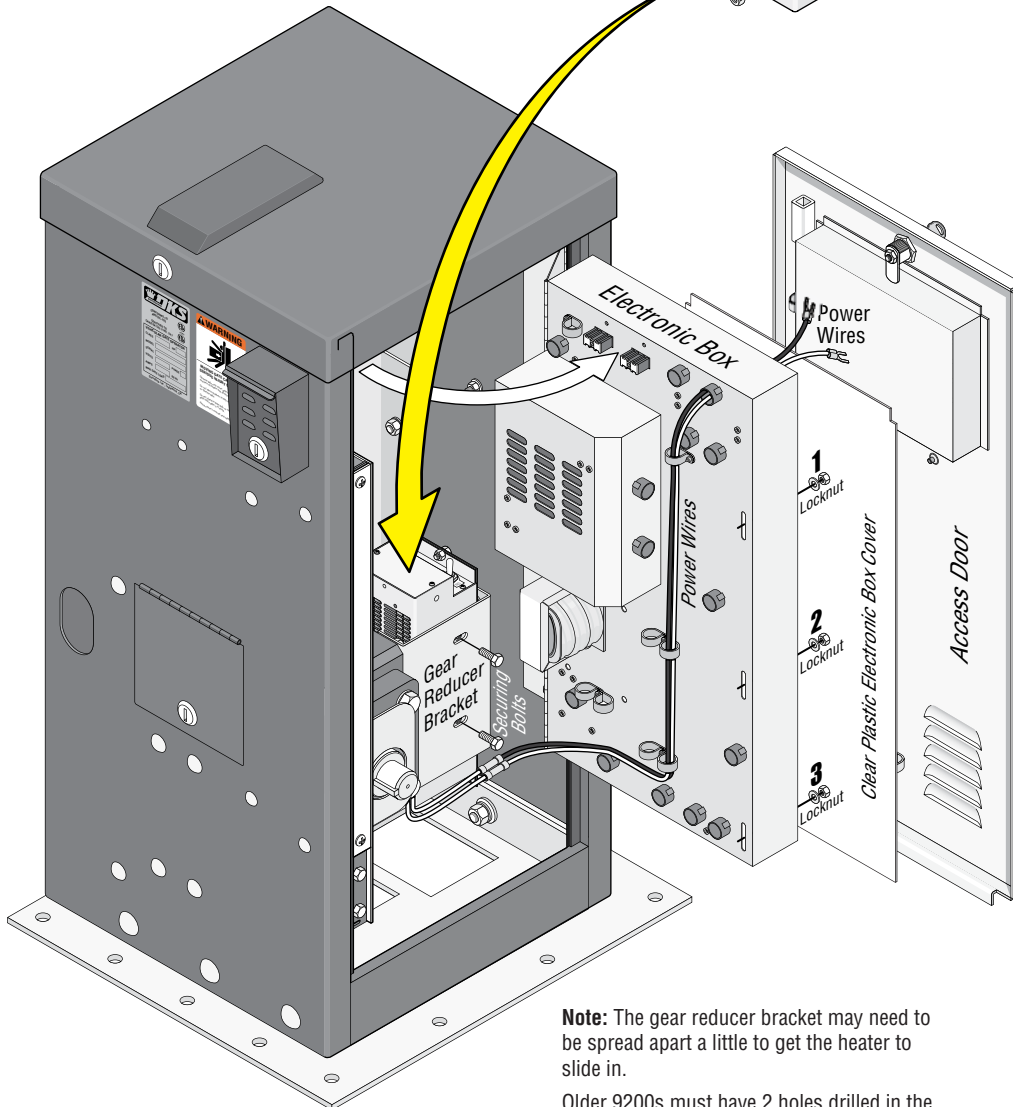
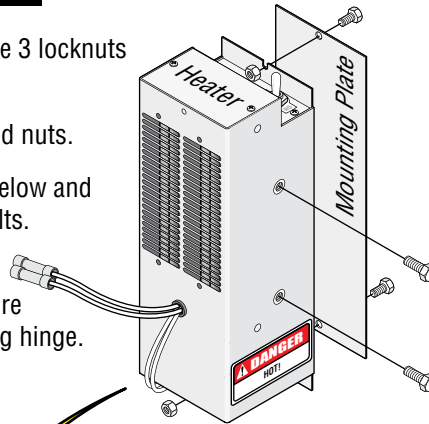
Remove clear plastic electronic box cover. Remove the 3 locknuts inside the electronic box to swing box open.

Bolt mounting plate to heater with 2 supplied bolts and nuts.

Slide heater into the gear reducer bracket as shown below and bolt heater to the bracket with 2 supplied securing bolts.

Run the 2 power wires as shown below.

**Keep wires away from the heater vents** and make sure wires do not get pinched in the electronic box's folding hinge.

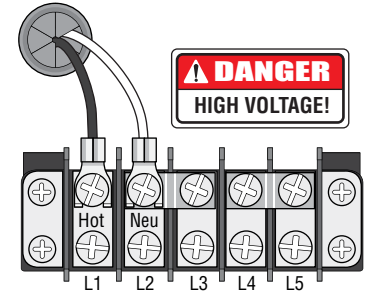


**Note:** The gear reducer bracket may need to be spread apart a little to get the heater to slide in.

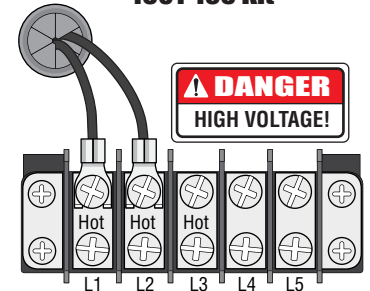
Older 9200s must have 2 holes drilled in the gear reducer bracket for the securing bolts.

## Power Connection

Connect the 2 heater power wires according to operator AC power type.



**115 VAC**  
1601-195 Kit



**208/230/460 VAC**  
1-Phase and 3-Phase  
1601-197 Kit (208/230 VAC)  
1601-198 Kit (460 VAC)

## Heater Switch



**OFF** - Turns the heater off.

**ON** - Normal setting. Automatically turns the heater **ON** when the temperature drops below 40°F (4°C) inside the operator, and turns the heater **OFF** when the temperature rises above 55°F (13°C) inside the operator.

# 9500 Specifications Table

DoorKing Part Numbers:

**1601-197 Kit**  
208/230 VAC Models  
3.3 Amp

**1601-198 Kit**  
460 VAC Models  
3.3 Amp

## High Voltage AC Input Power for the 9500 Gate Operator with a Heater

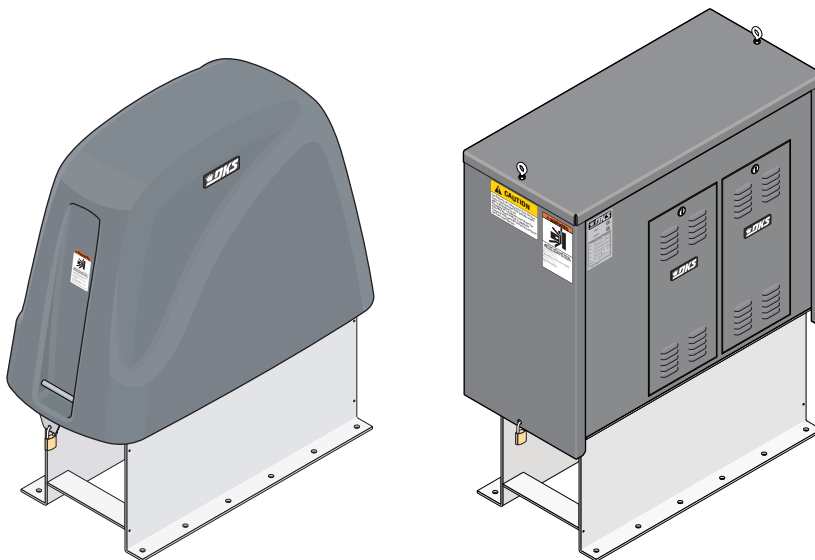
The 9500 draws significant power and should have a “Dedicated” circuit breaker at the power source.

If power wiring is greater than the maximum distance shown, it is recommended that a service feeder be installed. When large gauge wire is used, a separate junction box must be installed for the operator connection. Wire run calculations are based on NEC 310.15(B)(16) with a maximum voltage drop of 3%. These wire runs are a general guideline but it is highly suggested that individual calculations are made for your specific installation as these distances may vary.

**Never** run low voltage rated wire insulation in the same conduit as high voltage rated wire insulation.

### High voltage AC input wire size and distance limitations for a 9500 - 208/230 VAC OR 460 VAC with a heater.

Model	Motor Horsepower	Phase	Volts	Operator and Heater Amps	Wire Size / Max Distance in Feet				Heater Kit P/N
					12 AWG	10 AWG	8 AWG	6 AWG	
9550/9555	5	3	208 VAC	16.2	110	175	280	450	1601-197
			230 VAC	16.1	125	195	315	500	
			460 VAC	9.7	410	660	1050	1650	
		1	208 VAC	24.4	n/a	100	160	260	1601-197
			230 VAC	22.4	n/a	120	190	310	
			460 VAC	12.5	270	430	700	1100	
9570/9575	7	3	208 VAC	25.0	n/a	110	180	290	1601-197
			230 VAC	23.8	n/a	130	210	340	
			460 VAC	13.5	290	470	750	1200	
		1	208 VAC	35.0	n/a	n/a	110	180	1601-197
			230 VAC	32.0	n/a	n/a	130	210	
			460 VAC	17.0	200	320	510	820	
9590/9595	10	3	208 VAC	29.3	n/a	90	150	250	1601-197
			230 VAC	26.3	n/a	120	190	300	
			460 VAC	15.3	260	410	660	1060	
		1	208 VAC	45.5	n/a	n/a	n/a	130	1601-197
			230 VAC	41.4	n/a	n/a	n/a	160	
			460 VAC	21.6	n/a	250	400	640	



**Installation on next page.**

**DKS**  
DOOR KING®  
120 S. Glasgow Avenue  
Inglewood, California 90301 U.S.A.

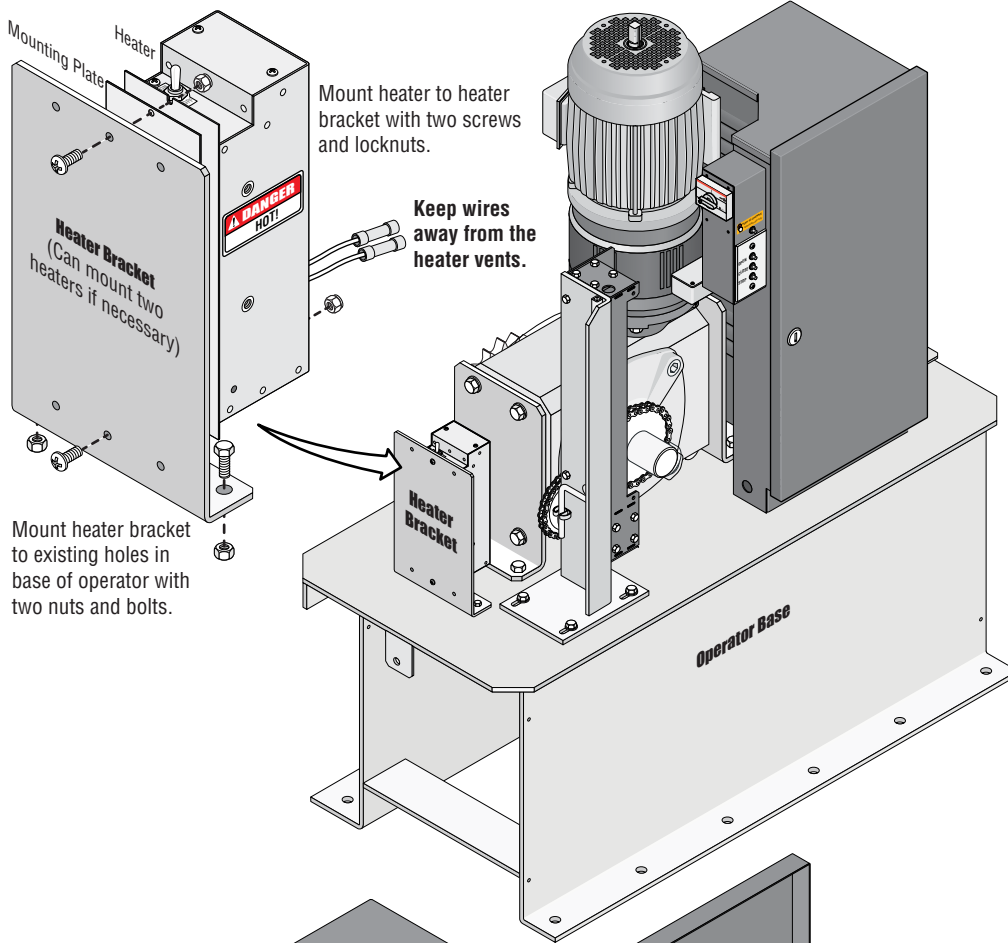
# 9500 Installation of Heater

Wire run tables on previous page.

DoorKing Part Numbers:

**1601-197 Kit**  
208/230 VAC Models  
3.3 Amp

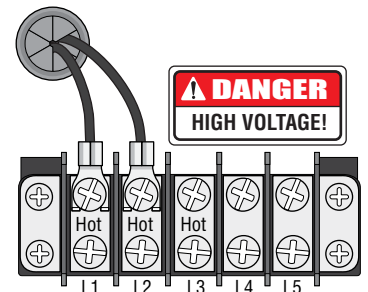
**1601-198 Kit**  
460 VAC Models  
3.3 Amp



**Shut off the AC input power to the operator from the circuit breaker.**

## Power Connection

Connect the 2 heater power wires according to operator AC power type.



**208/230/460 VAC**

1-Phase and 3-Phase

**1601-197 Kit (208/230 VAC)**

**1601-198 Kit (460 VAC)**

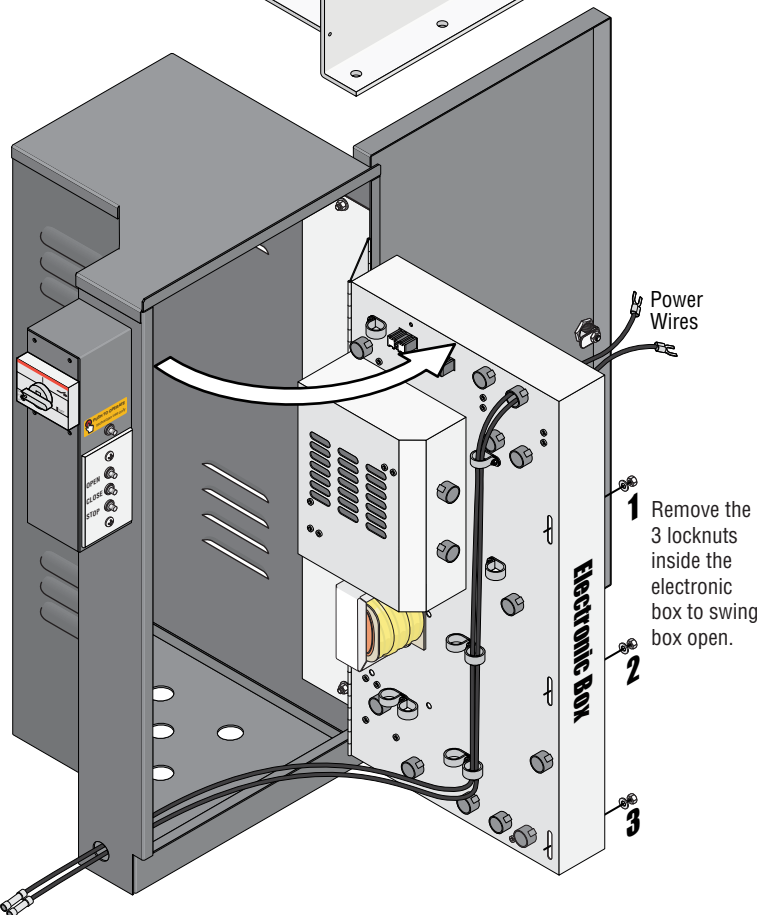
## Heater Switch



**OFF** - Turns the heater off.

**ON** - Normal setting. Automatically turns the heater **ON** when the temperature drops below 40°F (4°C) inside the operator, and turns the heater **OFF** when the temperature rises above 55°F (13°C) inside the operator.

Run the 2 power wires as shown. Make sure wires do not get pinched in the electronic box's folding hinge.




# 6300 - 208/230 VAC Input Power ONLY Install

DoorKing Part Number:

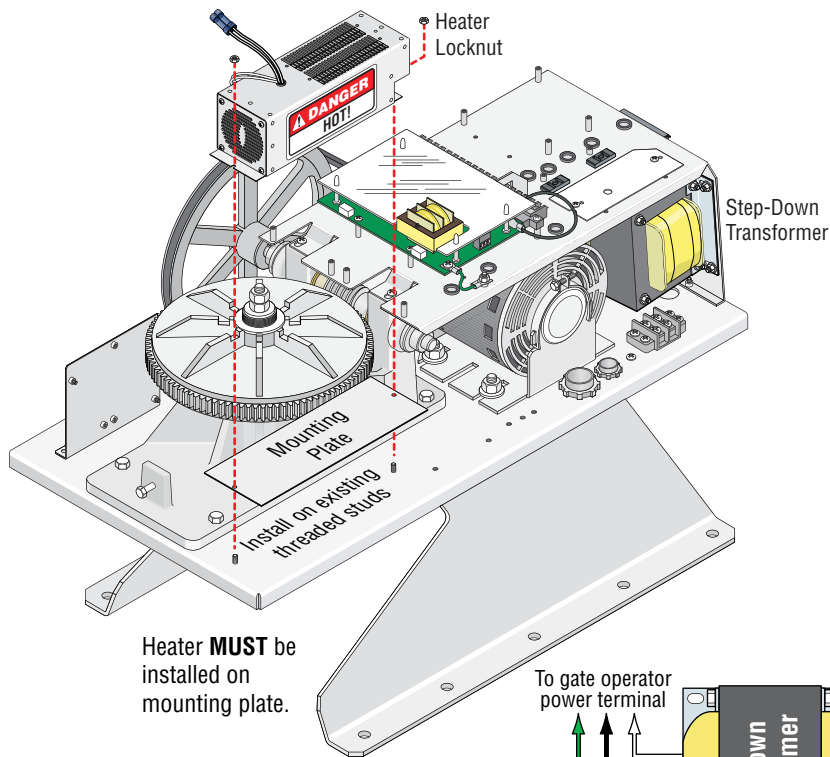
**1601-197 Kit**  
208/230 VAC Models  
3.3 Amp

**IMPORTANT:** Your gate operator **MUST** have the optional **high voltage kit** installed on it.

**High voltage AC input wire size and distance limitations for a 6300 208/230 VAC Input Power with a heater.**

Model	Horsepower	Volts	Operator and Heater Amps	Wire Size / Max Distance in Feet				
				12 AWG	10 AWG	8 AWG	6 AWG	Heater Kit P/N
	1/2 HP	208/230	6.0	260	410	660	1050	1601-197
	1 HP	208/230	8.2	190	300	480	770	1601-197

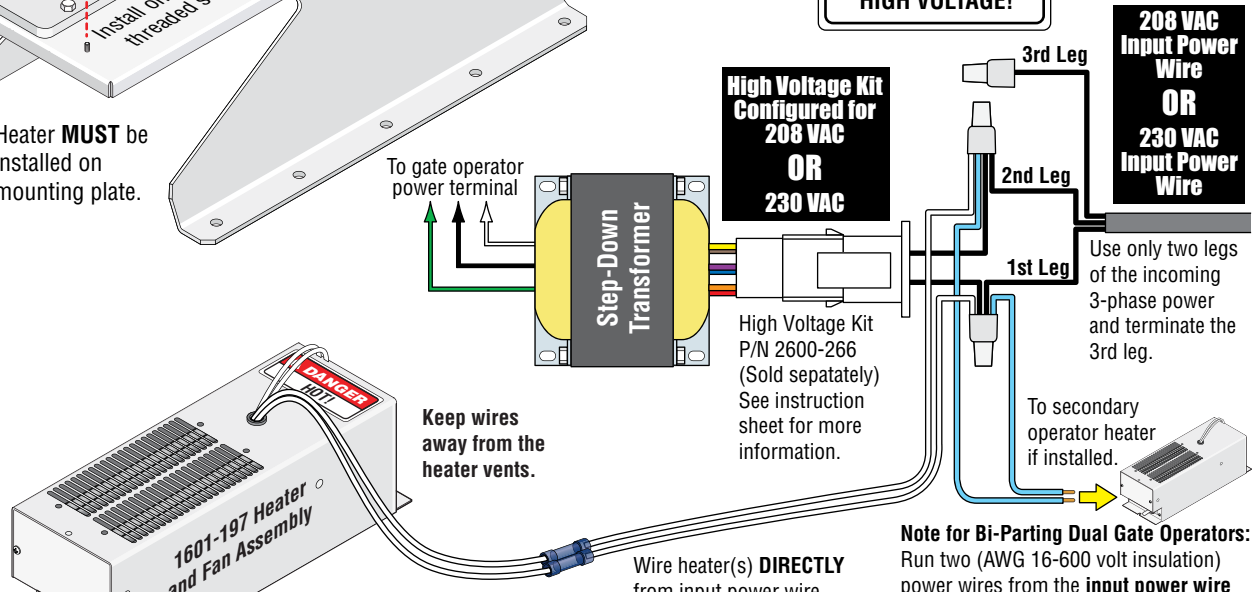
Wire run distances are shown for a single 6300 operator with heater. In bi-parting (dual) gate applications, reduce the distance by one-half.



Heater **MUST** be installed on mounting plate.

**Shut off the AC input power wire from the main circuit breaker.**

**DANGER**  
HIGH VOLTAGE!



High Voltage Kit Configured for 208 VAC OR 230 VAC

High Voltage Kit P/N 2600-266 (Sold separately) See instruction sheet for more information.

208 VAC Input Power Wire OR 230 VAC Input Power Wire

**Note for Bi-Parting Dual Gate Operators:** Run two (AWG 16-600 volt insulation) power wires from the **input power wire** through the interconnection cable conduit to power the secondary operator's heater.

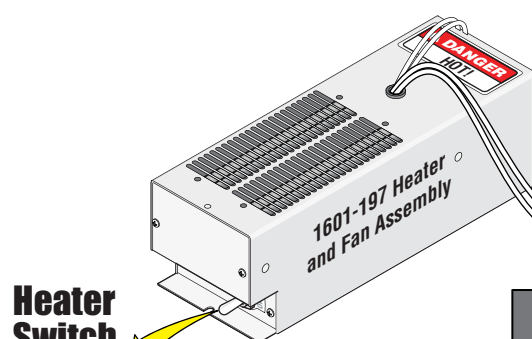
**DO NOT** wire secondary heater directly to the secondary gate operator's terminal or damage will occur.

To gate operator power terminal

Keep wires away from the heater vents.

Wire heater(s) **DIRECTLY** from input power wire.

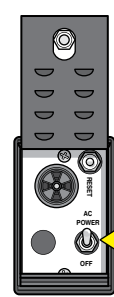
**DO NOT** wire heater to gate operator power terminal or damage will occur.



**Heater Switch**



**ON** - Normal setting. Automatically turns the heater **ON** when the temperature drops below 40°F (4°C) inside the operator, and turns the heater **OFF** when the temperature rises above 55°F (13°C) inside the operator.  
**OFF** - Turns the heater off.



**Note:** Heater will **NOT** turn off when using the gate operator ON/OFF power switch.

**DOORS DOORKING**  
120 S. Glasgow Avenue  
Inglewood, California 90301 U.S.A.


# 6300 - 460 VAC Input Power ONLY Installation

DoorKing Part Number:

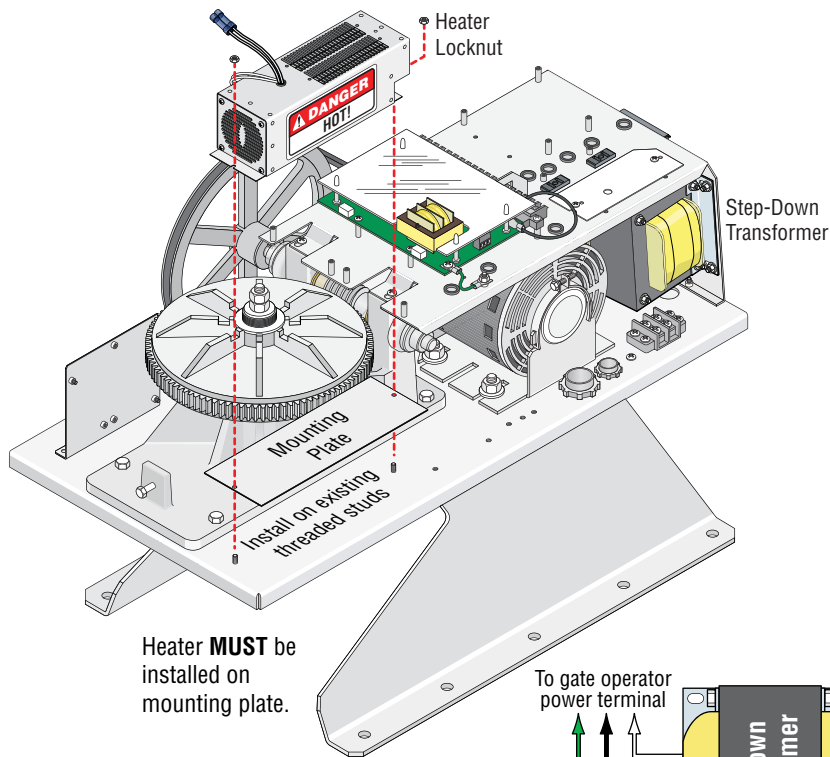
**1601-198 Kit**  
460 VAC Models  
3.3 Amp

**IMPORTANT:** Your gate operator **MUST** have the optional **high voltage kit** installed on it.

**High voltage AC input wire size and distance limitations for a 6300 208/230 VAC Input Power with a heater.**

Model	Horsepower	Volts	Operator and Heater Amps	Wire Size / Max Distance in Feet				
				12 AWG	10 AWG	8 AWG	6 AWG	Heater Kit P/N
	1/2 HP	460	4.7	740	1180	1870	2980	1601-198
	1 HP	460	5.7	610	970	1540	2460	1601-198

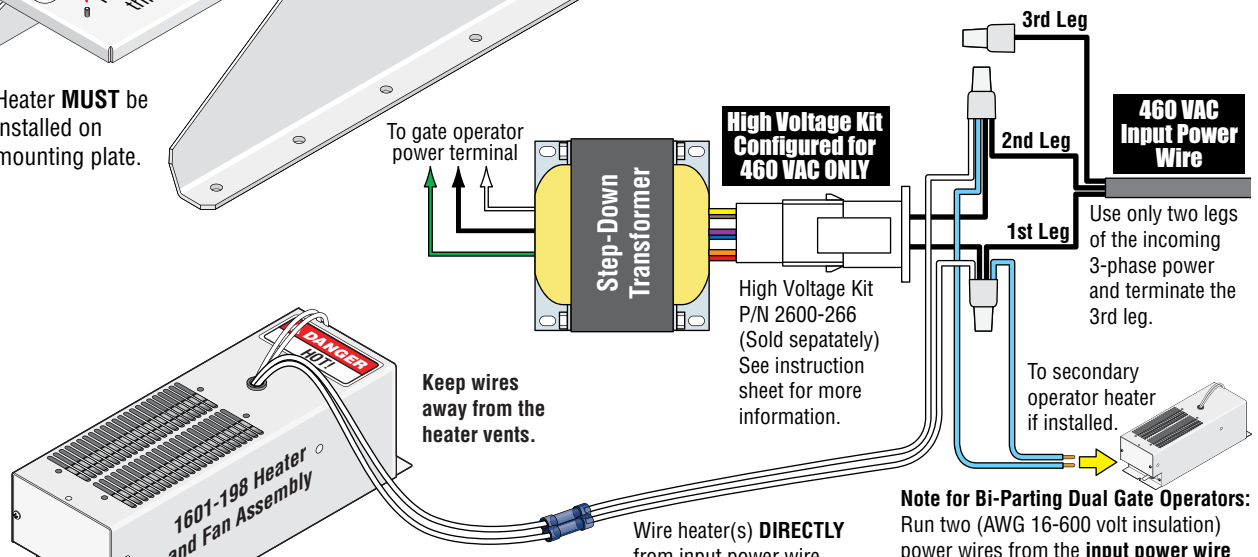
Wire run distances are shown for a single 6300 operator with heater. In bi-parting (dual) gate applications, reduce the distance by one-half.



Heater **MUST** be installed on mounting plate.

**Shut off the AC input power wire from the main circuit breaker.**

**DANGER**  
HIGH VOLTAGE!



**Note for Bi-Parting Dual Gate Operators:** Run two (AWG 16-600 volt insulation) power wires from the **input power wire** through the interconnection cable conduit to power the secondary operator's heater.

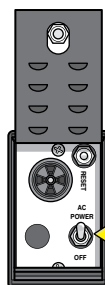
**DO NOT** wire secondary heater directly to the secondary gate operator's terminal or damage will occur.

## Heater Switch



**ON** - Normal setting. Automatically turns the heater **ON** when the temperature drops below 40°F (4°C) inside the operator, and turns the heater **OFF** when the temperature rises above 55°F (13°C) inside the operator.

**OFF** - Turns the heater off.




**Note:** Heater will **NOT** turn off when using the gate operator ON/OFF power switch.

# 6550 - 208/230 VAC Input Power ONLY Install

DoorKing Part Number:  
**1601-197 Kit**  
 208/230 VAC Models  
 3.3 Amp

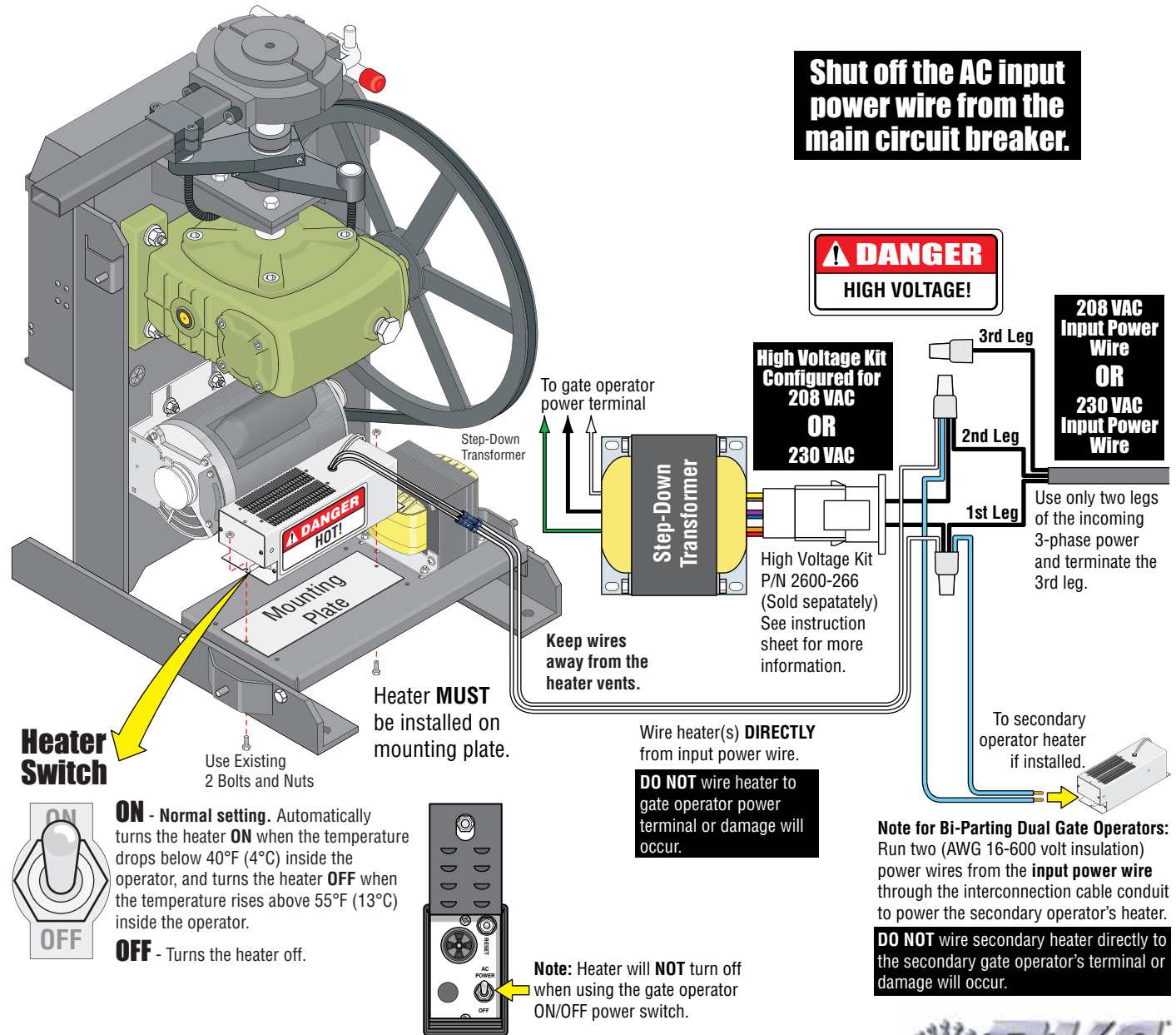
**IMPORTANT:** Your gate operator **MUST** have the optional **high voltage kit** installed on it.

**High voltage AC input wire size and distance limitations for a 6550 208/230 VAC Input Power with a heater.**

Model	Horsepower	Volts	Operator and Heater Amps	Wire Size / Max Distance in Feet				
				12 AWG	10 AWG	8 AWG	6 AWG	Heater Kit P/N
	1 HP	208/230	8.2	190	300	480	770	1601-197

Wire run distances are shown for a single 6550 operator with heater. In bi-parting (dual) gate applications, reduce the distance by one-half.

**Shut off the AC input power wire from the main circuit breaker.**




# 6550 - 460 VAC Input Power ONLY Installation

DoorKing Part Number:

**1601-198 Kit**  
460 VAC Models  
3.3 Amp

**IMPORTANT:** Your gate operator **MUST** have the optional **high voltage kit** installed on it.

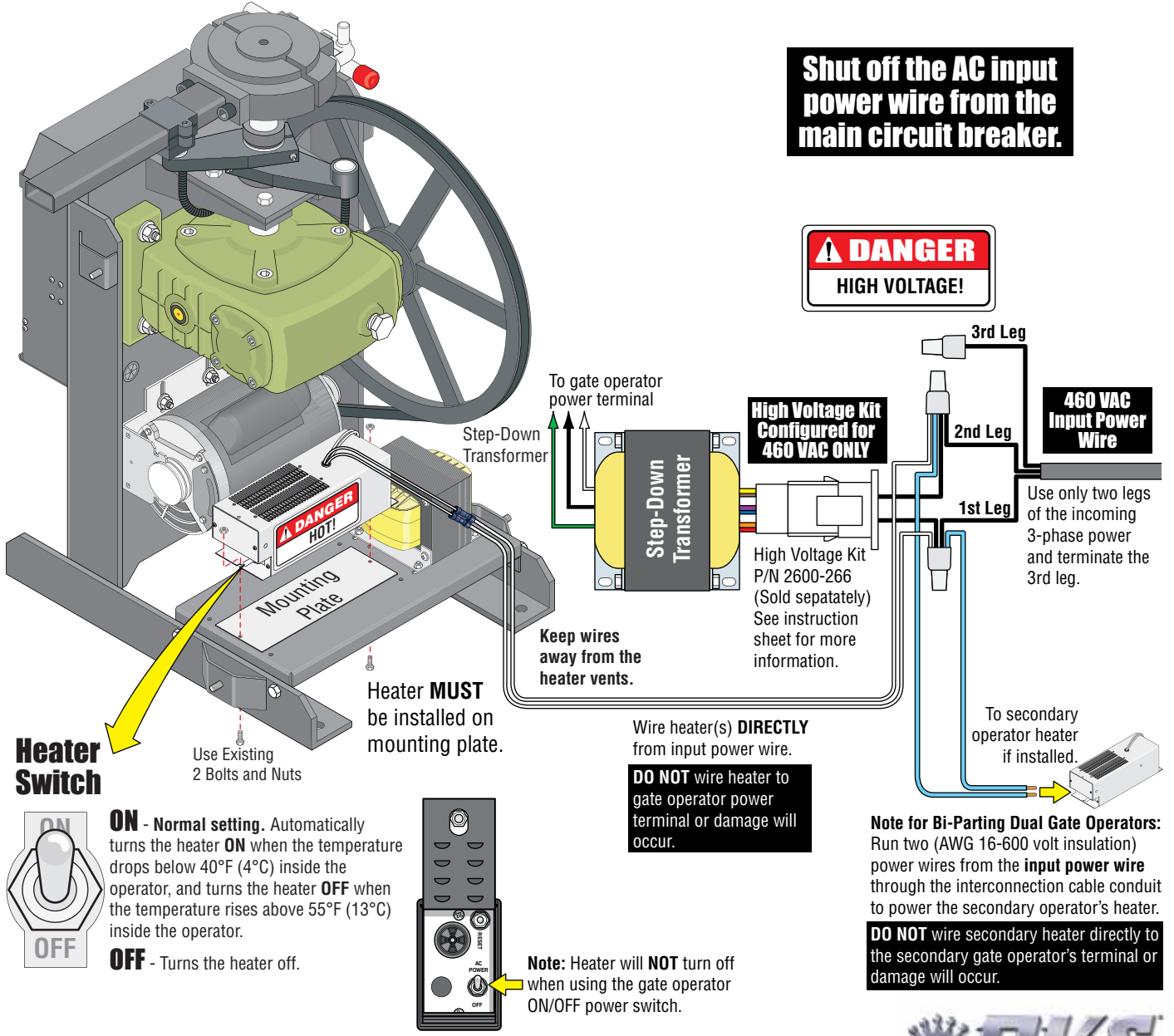
**High voltage AC input wire size and distance limitations for a 6550 460 VAC Input Power with a heater.**

Model	Horsepower	Volts	Operator and Heater Amps	Wire Size / Max Distance in Feet				
				12 AWG	10 AWG	8 AWG	6 AWG	Heater Kit P/N
	1 HP	460	5.7	850	1350	2150	3420	1601-198

Wire run distances are shown for a single 6550 operator with heater. In bi-parting (dual) gate applications, reduce the distance by one-half.

**Shut off the AC input power wire from the main circuit breaker.**

**⚠ DANGER HIGH VOLTAGE!**






# 6555 Installation of Heater

DoorKing Part Number:

**1601-197 Kit**  
208/230 VAC Models  
3.3 Amp

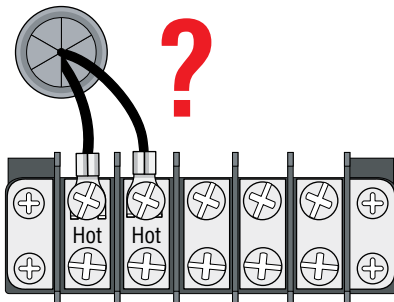
If power wiring is greater than the maximum distance shown, it is recommended that a service feeder be installed. When large gauge wire is used, a separate junction box must be installed for the operator connection. The wire table is based on stranded copper wire. Wire run calculations are based on an AC power source with a 3% voltage drop on the power line, plus an additional 10% reduction in distance to allow for other losses in the system.

## High voltage AC input wire size and distance limitations for a 6555 230 VAC with a heater.

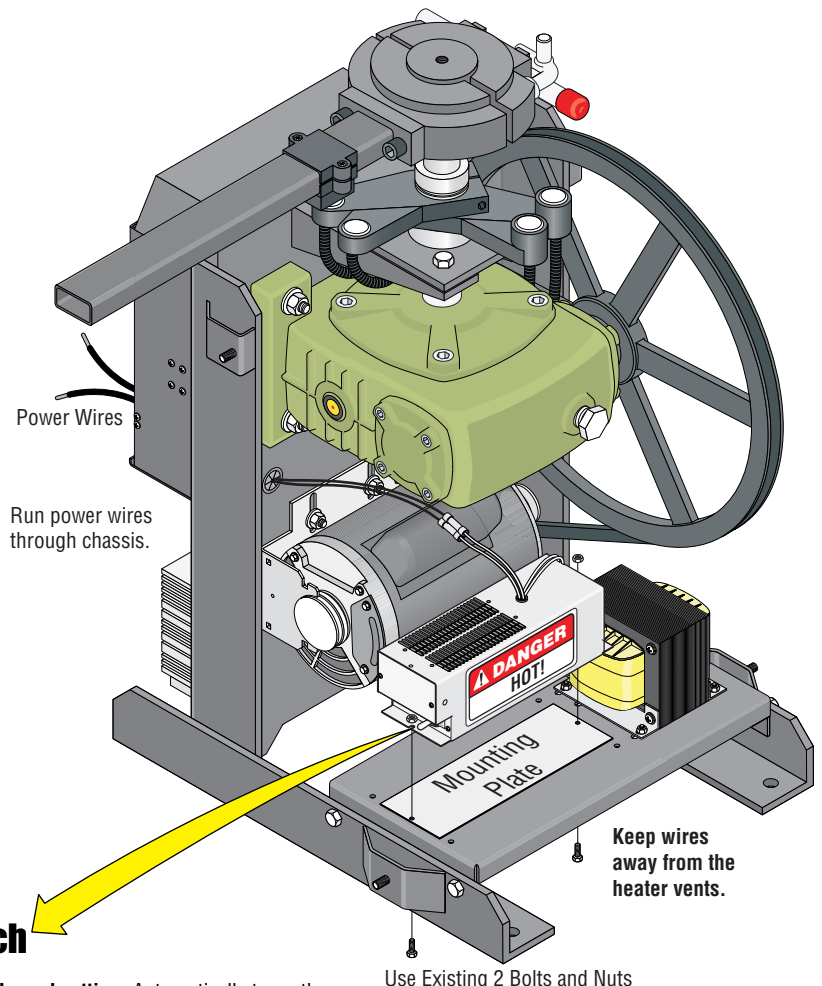
Model	Horsepower	Volts	Operator and Heater Amps	Wire Size / Max Distance in Feet				
				12 AWG	10 AWG	8 AWG	6 AWG	Heater Kit P/N
	2	230	14.8	110	180	290	470	1601-197

**Shut off the AC input power to the operator from the circuit breaker.**

### Operator Power Connection



**230 VAC**  
1601-197 Kit (208/230 VAC)



### Heater Switch



**ON - Normal setting.** Automatically turns the heater and fan **ON** when the temperature drops below 40°F (4°C) inside the operator, and turns the heater and fan **OFF** when the temperature rises above 55°F (13°C) inside the operator.

**OFF - Turns the heater and fan off.**

Use Existing 2 Bolts and Nuts



120 S. Glasgow Avenue  
Inglewood, California 90301 U.S.A.


# 9000 - 208/230 VAC Input Power ONLY Install

DoorKing Part Number:

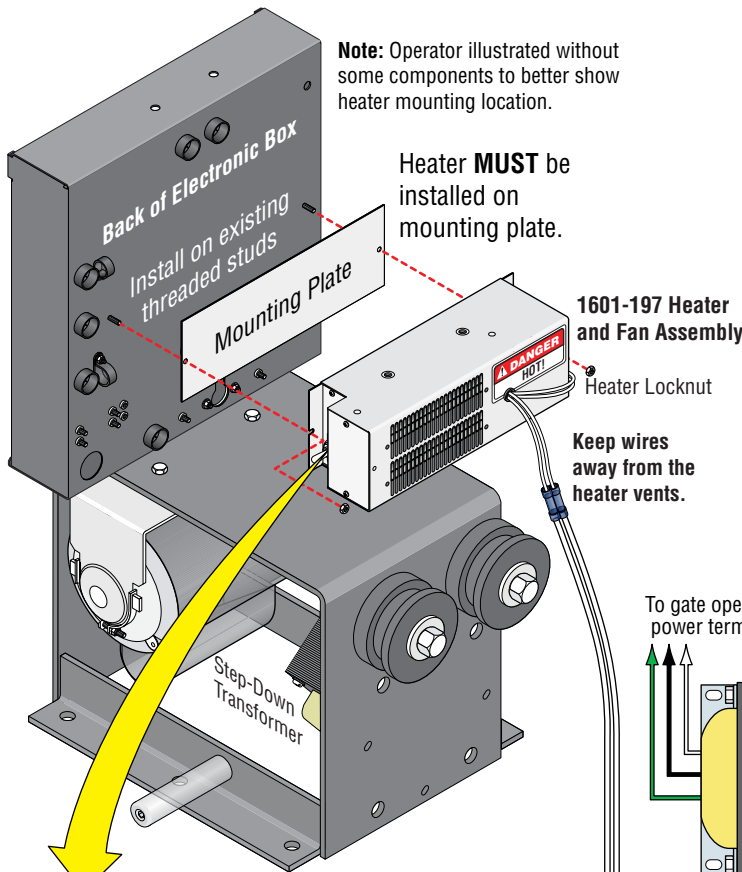
**1601-197 Kit**  
208/230 VAC Models  
3.3 Amp

**IMPORTANT:** Your gate operator **MUST** have the optional **high voltage kit** installed on it.

**High voltage AC input wire size and distance limitations for 9000 208/230 VAC Input Power with a heater.**

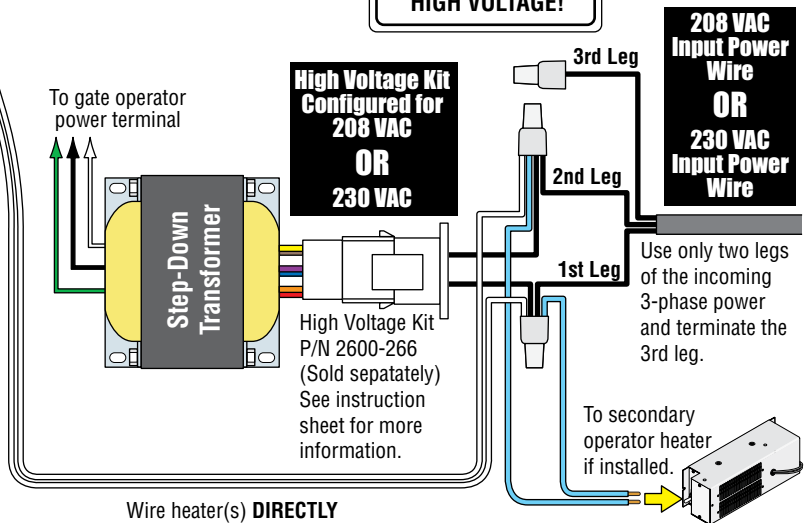
Model	Horsepower	Volts	Operator and Heater Amps	Wire Size / Max Distance in Feet				Heater Kit P/N
				12 AWG	10 AWG	8 AWG	6 AWG	
	1/2 HP	208/230	6.0	260	410	660	1050	1601-197
	1 HP	208/230	8.2	190	300	480	770	1601-197

Wire run distances are shown for a single 9000 operator with heater. In bi-parting (dual) gate applications, reduce the distance by one-half.



**Shut off the AC input power wire from the main circuit breaker.**

**DANGER**  
HIGH VOLTAGE!

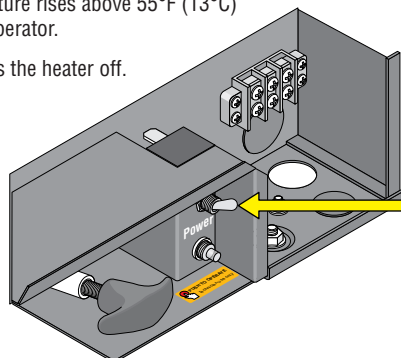


## Heater Switch



**ON** - Normal setting. Automatically turns the heater **ON** when the temperature drops below 40°F (4°C) inside the operator, and turns the heater **OFF** when the temperature rises above 55°F (13°C) inside the operator.

**OFF** - Turns the heater off.



Wire heater(s) **DIRECTLY** from input power wire.

**DO NOT** wire heater to gate operator power terminal or damage will occur.

**Note:** Heater will **NOT** turn off when using the gate operator ON/OFF power switch.

**Note for Bi-Parting Dual Gate Operators:** Run two (AWG 16-600 volt insulation) power wires from the **input power wire** through the interconnection cable conduit to power the secondary operator's heater.

**DO NOT** wire secondary heater directly to the secondary gate operator's terminal or damage will occur.



120 S. Glasgow Avenue  
Inglewood, California 90301 U.S.A.


# 9000 - 460 VAC Input Power ONLY Installation

DoorKing Part Number:

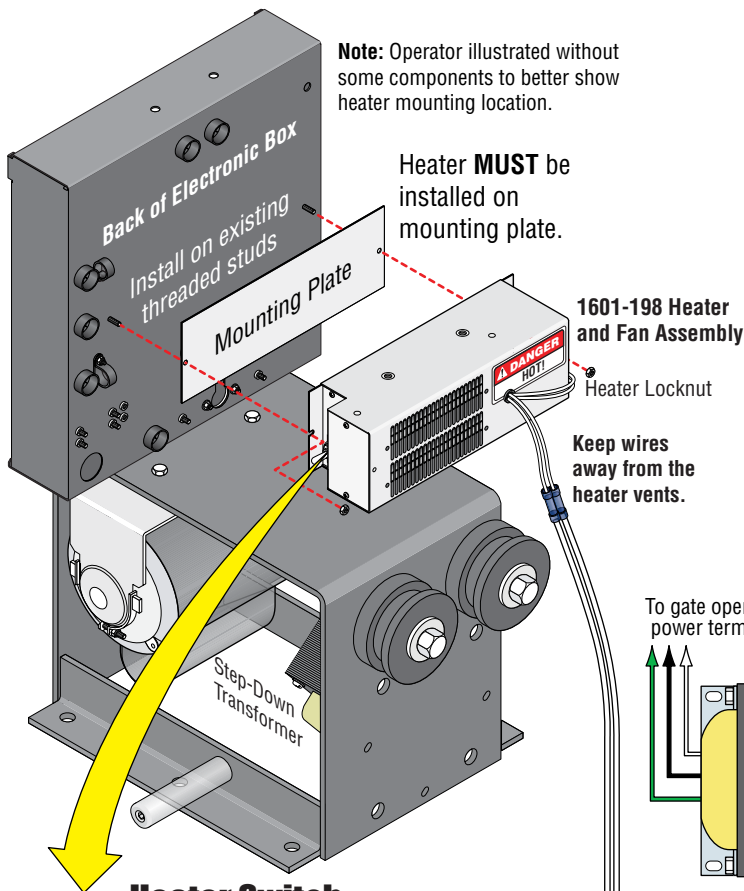
**1601-198 Kit**  
460 VAC Models  
3.3 Amp

**IMPORTANT:** Your gate operator **MUST** have the optional **high voltage kit** installed on it.

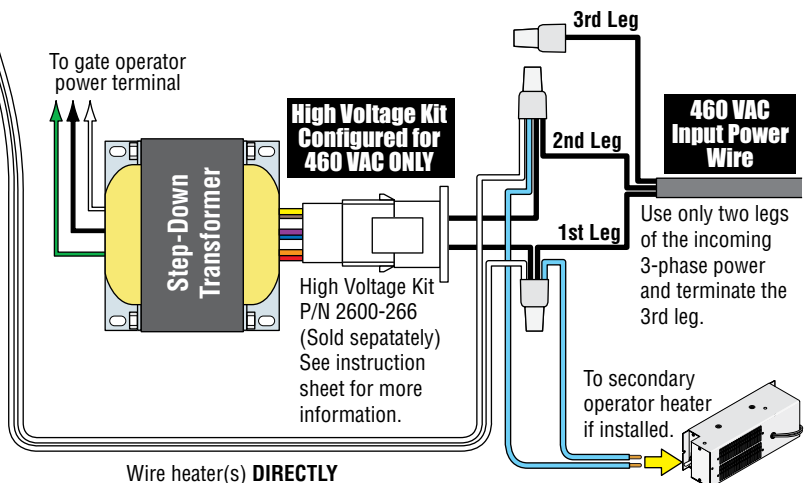
**High voltage AC input wire size and distance limitations for 9000 460 VAC Input Power with a heater.**

Model	Horsepower	Volts	Operator and Heater Amps	Wire Size / Max Distance in Feet				
				12 AWG	10 AWG	8 AWG	6 AWG	Heater Kit P/N
	1/2 HP	460	4.7	1160	1850	2940	4670	1601-198
	1 HP	460	5.7	850	1350	2150	3420	1601-198

Wire run distances are shown for a single 9000 operator with heater. In bi-parting (dual) gate applications, reduce the distance by one-half.



**Shut off the AC input power wire from the main circuit breaker.**

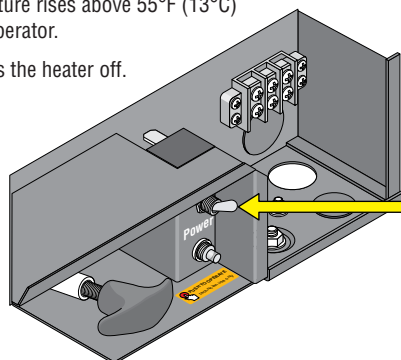


## Heater Switch



**ON** - Normal setting. Automatically turns the heater **ON** when the temperature drops below 40°F (4°C) inside the operator, and turns the heater **OFF** when the temperature rises above 55°F (13°C) inside the operator.

**OFF** - Turns the heater off.



Wire heater(s) **DIRECTLY** from input power wire.

**DO NOT** wire heater to gate operator power terminal or damage will occur.

**Note:** Heater will **NOT** turn off when using the gate operator ON/OFF power switch.

**Note for Bi-Parting Dual Gate Operators:** Run two (AWG 16-600 volt insulation) power wires from the **input power wire** through the interconnection cable conduit to power the secondary operator's heater.

**DO NOT** wire secondary heater directly to the secondary gate operator's terminal or damage will occur.



120 S. Glasgow Avenue  
Inglewood, California 90301 U.S.A.


# 9024 AC Powered - 230 VAC Installation

DoorKing Part Number:

**1601-197 Kit**  
208/230 VAC Models  
3.3 Amp

If power wiring is greater than the maximum distance shown, it is recommended that a service feeder be installed. When large gauge wire is used, a separate junction box must be installed for the operator connection. The wire table is based on stranded copper wire. Wire run calculations are based on an AC power source with a 3% voltage drop on the power line, plus an additional 10% reduction in distance to allow for other losses in the system.

## High voltage AC input wire size and distance limitations for a 9024 AC Powered 230 VAC with a heater.

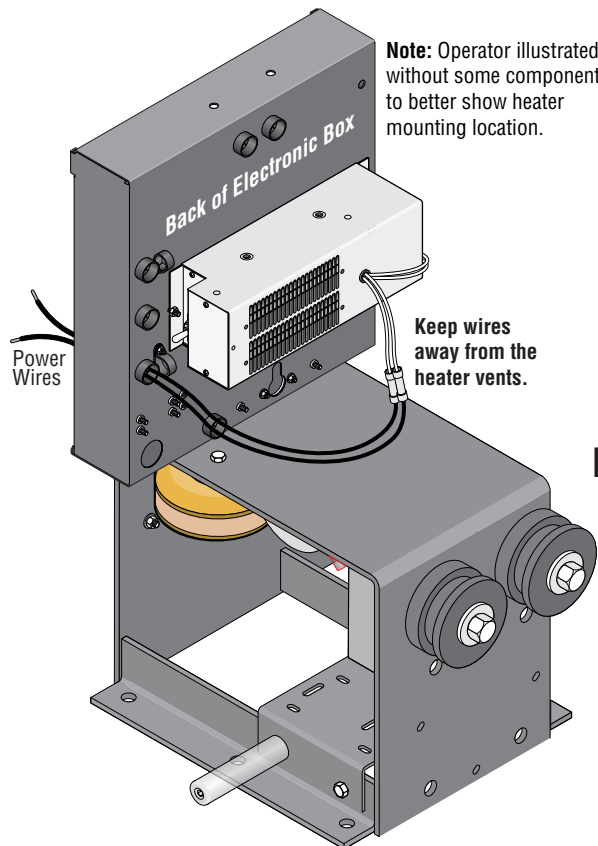
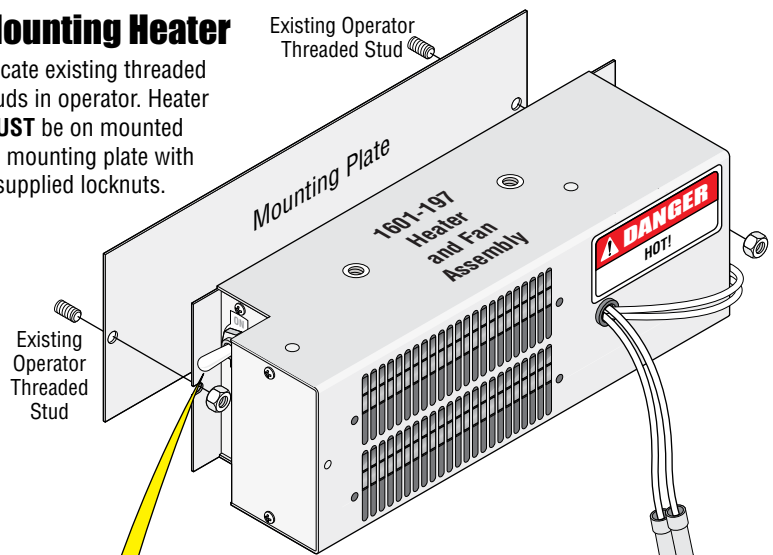
Model	Horsepower	Volts	Operator and Heater Amps	Wire Size / Max Distance in Feet				
				12 AWG	10 AWG	8 AWG	6 AWG	Heater Kit P/N
	<b>Quadra Drive DC Motor</b>	230 ONLY	4.2	410	660	1050	1670	1601-197

In bi-parting (dual) gate applications, high voltage AC power is required for EACH 9024 AC Powered 230 VAC operator with heater.

**Shut off the AC input power to the operator from the circuit breaker and DC power switch on operator**

### Mounting Heater

Locate existing threaded studs in operator. Heater **MUST** be mounted on mounting plate with 2 supplied locknuts.



**Note:** Operator illustrated without some components to better show heater mounting location.

Keep wires away from the heater vents.

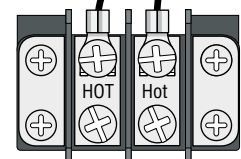
### Heater Switch



**ON** - Normal setting. Automatically turns the heater **ON** when the temperature drops below 40°F (4°C) inside the operator, and turns the heater **OFF** when the temperature rises above 55°F (13°C) inside the operator.

**OFF** - Turns the heater off.

### Operator Power Connection



**230 VAC**

**1601-197 Kit (208/230 VAC)**



**9024 AC Powered  
230 VAC ONLY**

**DKS**  
**DOOR KING**  
120 S. Glasgow Avenue  
Inglewood, California 90301 U.S.A.


# 9150 - 208/230 VAC Input Power ONLY Install

DoorKing Part Number:

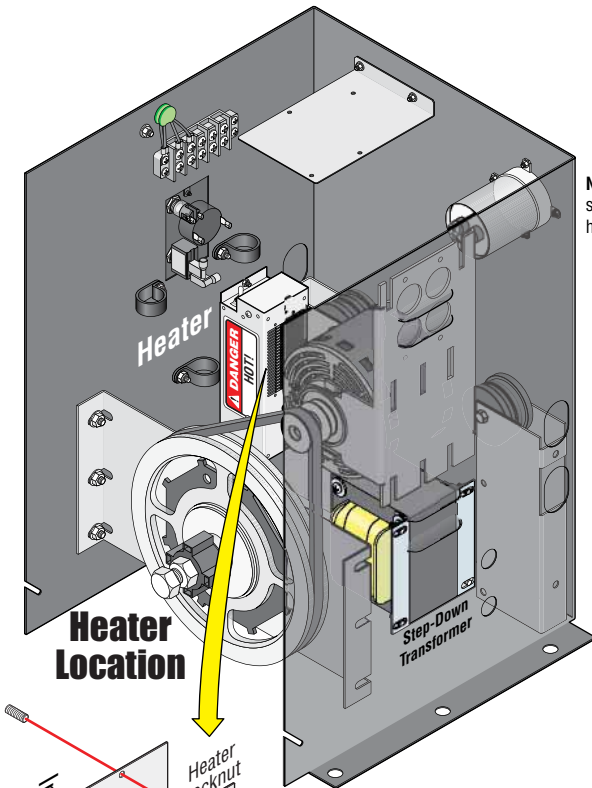
**1601-197 Kit**  
208/230 VAC Models  
3.3 Amp

**IMPORTANT:** Your gate operator **MUST** have the optional **high voltage kit** installed on it.

**High voltage AC input wire size and distance limitations for a 9150 208/230 VAC Input Power with a heater.**

Model	Horsepower	Volts	Operator and Heater Amps	Wire Size / Max Distance in Feet				
				12 AWG	10 AWG	8 AWG	6 AWG	Heater Kit P/N
	1/2 HP	208/230	6.0	260	410	660	1050	1601-197
	1 HP	208/230	8.2	190	300	480	77	1601-197

In bi-parting (dual) gate applications, high voltage AC power is required for EACH 9150 operator with heater.



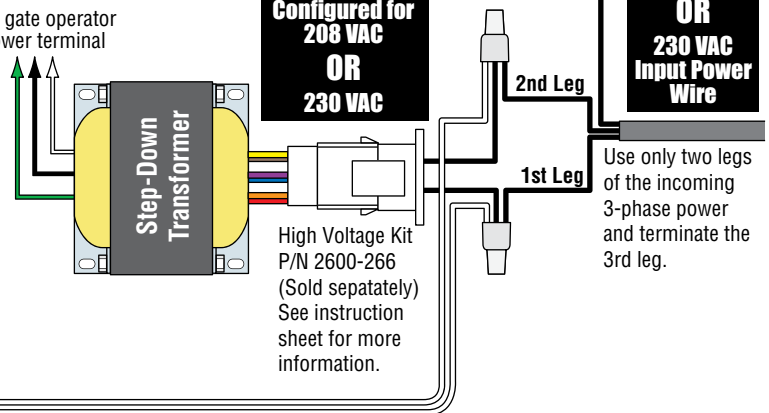
**Note:** Operators illustrated without some components to better show heater mounting location.

**Shut off the AC input power wire from the main circuit breaker.**

**DANGER**  
HIGH VOLTAGE!

**208 VAC Input Power Wire**  
**OR**  
**230 VAC Input Power Wire**

To gate operator power terminal



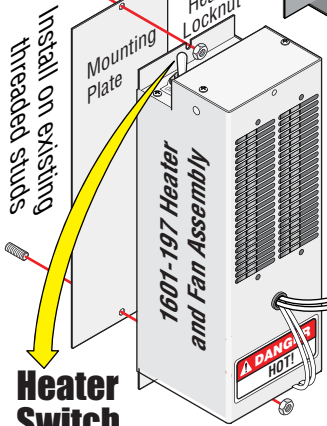
High Voltage Kit Configured for 208 VAC OR 230 VAC

High Voltage Kit P/N 2600-266 (Sold separately) See instruction sheet for more information.

Use only two legs of the incoming 3-phase power and terminate the 3rd leg.

Wire heater **DIRECTLY** from input power wire.

**DO NOT** wire heater to gate operator power terminal or damage will occur.



Heater **MUST** be installed on mounting plate.

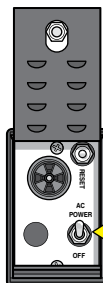
Keep wires away from the heater vents.

**Heater Switch**



**ON** - Normal setting. Automatically turns the heater **ON** when the temperature drops below 40°F (4°C) inside the operator, and turns the heater **OFF** when the temperature rises above 55°F (13°C) inside the operator.

**OFF** - Turns the heater off.



**Note:** Heater will **NOT** turn off when using the gate operator ON/OFF power switch.

# 9150 - 460 VAC Input Power ONLY Installation

DoorKing Part Number:


**1601-198 Kit**

460 VAC Models

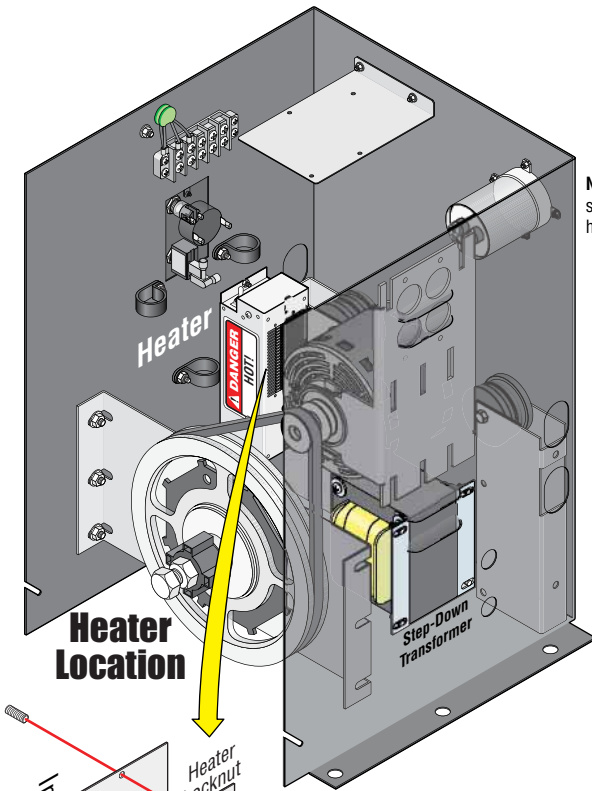
3.3 Amp

**IMPORTANT:** Your gate operator **MUST** have the optional **high voltage kit** installed on it.

**High voltage AC input wire size and distance limitations for a 9150 208/230 VAC Input Power with a heater.**

Model	Horsepower	Volts	Operator and Heater Amps	Wire Size / Max Distance in Feet				Heater Kit P/N
				12 AWG	10 AWG	8 AWG	6 AWG	
	1/2 HP	460	4.7	1160	1850	2940	4670	1601-198
	1 HP	460	5.7	850	1350	2150	3420	1601-198

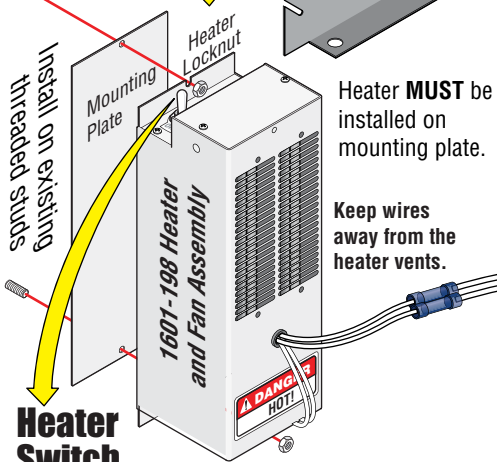
In bi-parting (dual) gate applications, high voltage AC power is required for EACH 9150 operator with heater.



**Note:** Operators illustrated without some components to better show heater mounting location.

**Shut off the AC input power wire from the main circuit breaker.**

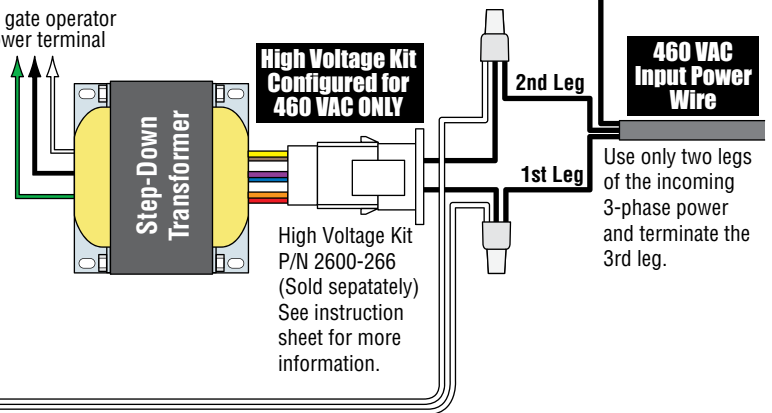
**! DANGER HIGH VOLTAGE!**



Heater **MUST** be installed on mounting plate.

Keep wires away from the heater vents.

To gate operator power terminal



Use only two legs of the incoming 3-phase power and terminate the 3rd leg.

Wire heater **DIRECTLY** from input power wire.

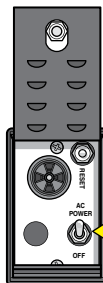
**DO NOT** wire heater to gate operator power terminal or damage will occur.

**Heater Switch**



**ON - Normal setting.** Automatically turns the heater **ON** when the temperature drops below 40°F (4°C) inside the operator, and turns the heater **OFF** when the temperature rises above 55°F (13°C) inside the operator.

**OFF - Turns the heater off.**



**Note:** Heater will **NOT** turn off when using the gate operator ON/OFF power switch.

# 1600 - 208/230 VAC Input Power ONLY Install

DoorKing Part Number:  
**1601-197 Kit**  
 208/230 VAC Models  
 3.3 Amp

**IMPORTANT:** Your gate operator **MUST** have the optional high voltage kit installed on it.

**High voltage AC input wire size and distance limitations for a 1600 208/230 VAC Input Power with a heater.**

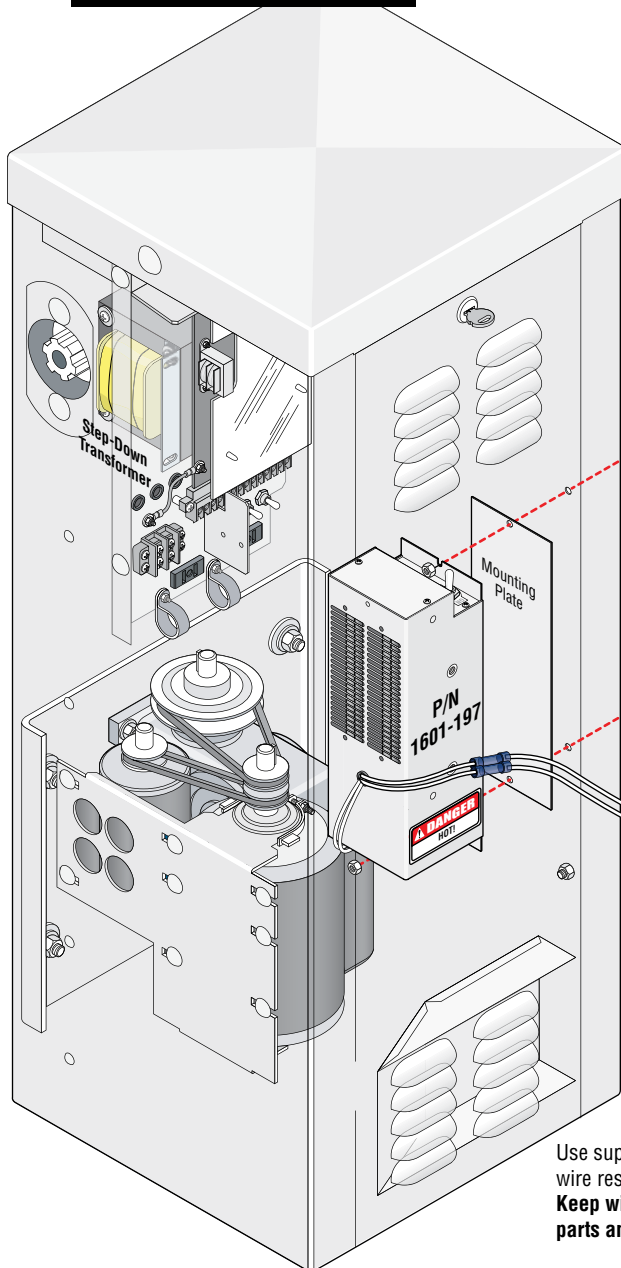
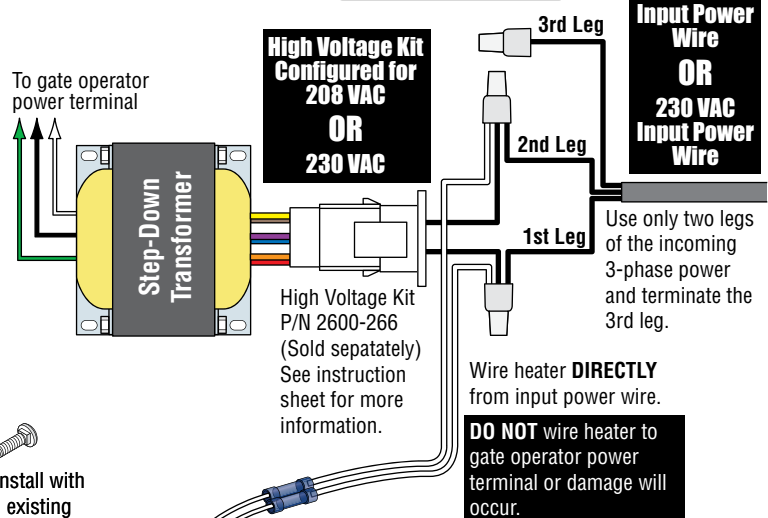
Model	Horsepower	Volts	Operator and Heater Amps	Wire Size / Max Distance in Feet				
				12 AWG	10 AWG	8 AWG	6 AWG	Heater Kit P/N
1601 / 1603	1/2 HP	208/230	6.0	260	410	660	1050	1601-197
1602	1 HP	208/230	8.2	190	300	480	770	1601-197

In bi-parting (dual) gate applications, high voltage AC power is required for EACH 1601 or 1602 operator with heater.

**Shut off the AC input power wire from the main circuit breaker.**

**⚠ DANGER**  
**HIGH VOLTAGE!**

**208 VAC Input Power Wire**  
**OR**  
**230 VAC Input Power Wire**

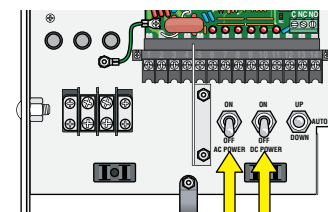


## Heater Switch



**ON** - Normal setting. Automatically turns the heater **ON** when the temperature drops below 40°F (4°C) inside the operator, and turns the heater **OFF** when the temperature rises above 55°F (13°C) inside the operator.

**OFF** - Turns the heater off.



**Note:** Heater will **NOT** turn off when using the gate operator ON/OFF power switch(s).

Use supplied wire stays and existing wire restrainers to run wires.  
**Keep wires clear of all moving parts and the heater vents.**

**DKS**  
**DOOR KING**  
 120 S. Glasgow Avenue  
 Inglewood, California 90301 U.S.A.

# 1600 - 460 VAC Input Power ONLY Installation

DoorKing Part Number:

**1601-198 Kit**  
460 VAC Models  
3.3 Amp

**IMPORTANT:** Your gate operator **MUST** have the optional high voltage kit installed on it.

**High voltage AC input wire size and distance limitations for a 1600 460 VAC Input Power with a heater.**

Model	Horsepower	Volts	Operator and Heater Amps	Wire Size / Max Distance in Feet				Heater Kit P/N
				12 AWG	10 AWG	8 AWG	6 AWG	
1601 / 1603	1/2 HP	460	4.7	1160	1850	2940	4670	1601-198
1602	1 HP	460	5.7	850	1350	2150	3420	1601-198

In bi-parting (dual) gate applications, high voltage AC power is required for EACH 1601 or 1602 operator with heater.

**Shut off the AC input power wire from the main circuit breaker.**

