

Appendix F: Wiring Diagrams

HS2016, HS2032, HS2064, HS2128 UL/ULC Wiring Diagram

HS2016/2032/2064/2128 UL/ULC Wiring Diagram

APPLICABLE UL STANDARDS

UL FILE NO. S4019

UL1610 Central-Station Burglar Alarm Units
 UL1609 Local Burglar Alarm Units and Systems
 UL365 Police Station Connected Burglar Alarm Units & Systems
 UL985 Household Fire Warning System Units
 UL1023 Household Burglar Alarm System Units
 UL1635 Digital Alarm Communicator System Units
 UL1637 Home Health Care Signaling Equipment
 ANSI/SIA CP-01-2010

SIA-FAR Minimum System Requirements:

- 1 HS2016/2032/2064/2128 Panel
- 2 Local annunciation devices

Local annunciation devices may be any combination of these keypads:

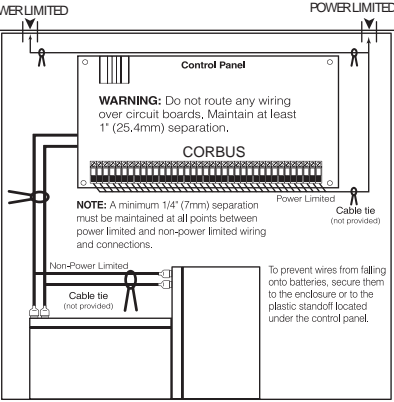
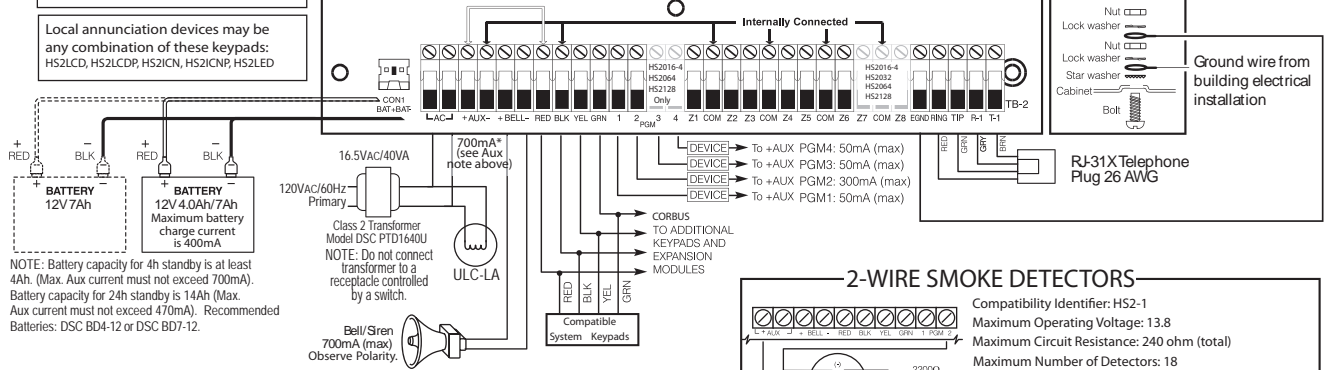
HS2LCD, HS2LCDP, HS2ICN, HS2ICNP, HS2LED

WARNING
 Incorrect connections may result in PTC failure or improper operation. Inspect wiring and ensure connections are correct before applying power. Do not route any wiring over circuit boards. Maintain at least 25.4mm (1") separation.

WARNING
 High voltage.
 Disconnect AC power and telephone lines prior to servicing.

*AUX Wiring
 Use No.14-22 AWG conductor
 AUX+ and Keybus (RED) are internally connected. Total current draw from keypads, PGM Outputs and AUX circuits must not exceed 700mA.

All circuits are classified for UL installations as power limited/Class II power limited, except for the battery leads which are not power limited. Do not route any wiring over the battery leads which are not power limited. Please see Section 2. A minimum 1/4" (6.4mm) separation must be maintained at all points between power limited wiring and all other non-power limited wiring.

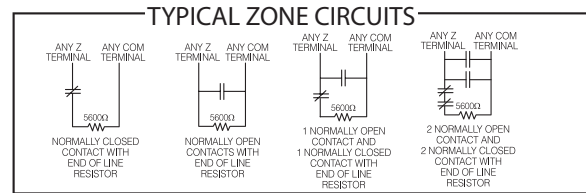
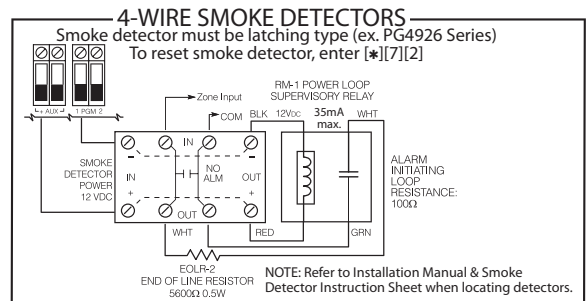


WARNING:

This equipment should be installed in accordance with the National Fire Code ANSI/NFPA 72 (National Fire Protection Association, Batterymarch Park, Quincy MA, 02269). Printed information describing proper installation, operation, testing, maintenance, evacuation planning, and repair service is to be provided with this equipment. For compliance with UL-985, at least one smoke detector is required.

This device complies with Parts 15 and 68 of the FCC rules. Operation is subject to the following 2 conditions: [1] this device may not cause harmful interference and [2] this device must accept any interference received, including interference that may cause undesired operation.
 Model: HS2128 FCC Reg. No. F53AL01BPHS2128
 REN = 0.1B Plug Type: RJ-31X MADE IN CANADA

- ULC NOTES**
- For ULC Listed Fire Monitoring Installations & module requirements, please refer to the ULC Installation Information Sheet, part #29002157.
 - Use a CSA/UL transformer, hardwired.
 - All tamper circuits may be connected to the same zone.
 - Use ULC-LA for AC Power indication.



Circuit (zone)	Control Unit Delay - Sec.	Smoke Detector	
		Model	Delay - Sec. (a)

(a) The delay (power-up) time marked on the installation wiring diagram of the smoke detector or on the installed smoke detector(s) is to be used.

Control panel is suitable for the following UL installations: (1) Grade AA Central Station and Grade AA Police Connect with high line security (using T-LINK to communicate to the Sur-Gard MLR-IP Receiver). (2) Household Fire and Grade A Household Burglary and Home Health Care Signaling Equipment (3) Grade A Local 1 Grade B Central Station and Police Connect with basic line security (4) Grade C Central Station. Refer to Installation Manual

NOTE: For ULC installations, please refer to the ULC Installation Information Sheet part#29002157.