

HNC5230PT

3 Megapixel Full HD Network Mini PT Dome Camera



Features

1/3" 3Megapixel progressive scan CMOS

H.264 & MJPEG dual-stream encoding

Max 20fps@ 3M(2048×1536), 30fps@1080P

Day/Night(Electronic), 3DNR, AWB, AGC, BLC

Multiple network monitoring: Web viewer, CMS(DSS/PSS) & DMSS

Max 100 °/s preset speed, ±180° Pan range, 90° Tilt range

3.6mm fixed lens

Micro SD memory, IP66, IK10

HNC5230PT

Technical Specifications

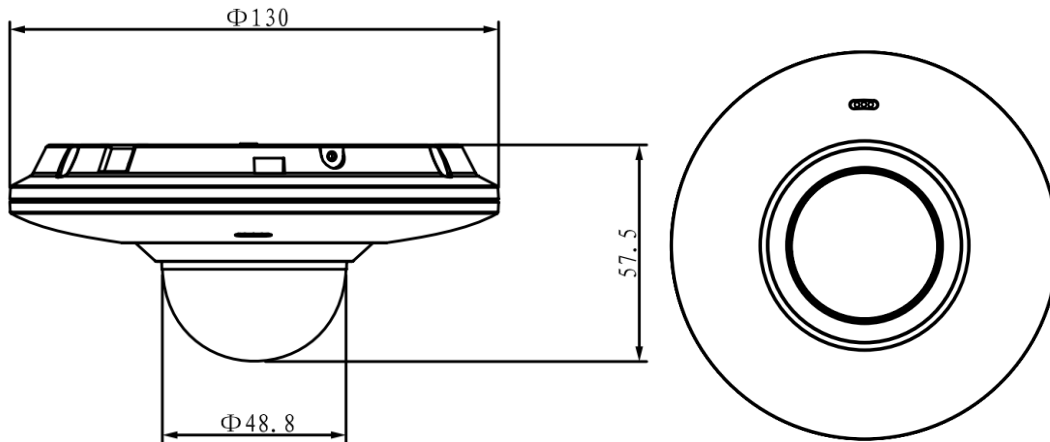
Model	HNC5230PT	
Camera		
Image Sensor	1/3" 3Megapixel progressive scan CMOS	
Effective Pixels	2048(H)x1536(V)	
Scanning System	Progressive	
Electronic Shutter Speed	Auto/Manual 1/3(4)~1/10000	
Min. Illumination	0.01lux/F1.2(color)	
S/N Ratio	More than 50dB	
Video Output	N/A	
Camera Features		
Max. IR LEDs Length	N/A	
Day/Night	Auto(Electronic)/Color/B/W	
Backlight Compensation	Off/BLC/HLC/DWDR	
White Balance	Auto/Manual	
Gain Control	Auto/Manual	
Noise Reduction	3D	
Privacy Masking	Up to 4 areas	
Digital Zoom	3x	
Lens		
Focal Length	3.6mm	
Max Aperture	F1.2	
Focus Control	Manual	
Angle of View	H:72.5°	
Lens Type	Fixed lens	
Mount Type	Board-in Type	
PT		
Pan/ Tilt Range	Pan: 0°~±180°; Tilt: 0°~90°	
Preset Speed	100°/s	
Preset	25	
Video		
Compression	H.264/ MJPEG	
Resolution	3M(2048×1536)/1080P(1920×1080)/720P(1280×720)/D1(704×576 /704×480) / CIF(352×288/352×240)	
Frame Rate	Main Stream	3M(1~20fps)/1080P/720P(1 ~ 30fps)
	Sub Stream	D1/CIF(1 ~ 30fps)
Bit Rate	H.264: 32K ~ 8192Kbps	
Audio		
Compression	G.711a/G.711u/PCM	
Interface	Bulit-in Mic	
Network		
Ethernet	RJ-45 (10/100Base-T)	
Wi-Fi	N/A	

HNC5230PT


Protocol	IPv4/IPv6, HTTP, HTTPS, SSL, TCP/IP, UDP, UPnP, ICMP, IGMP, SNMP, RTSP, RTP, SMTP, NTP, DHCP, DNS, PPPOE, DDNS, FTP, IP Filter, QoS, Bonjour
Compatibility	ONVIF,PSIA,CGI
Max. User Access	20 users
Smart Phone	iPhone, iPad, Android, Windows Phone
Auxiliary Interface	
Memory Slot	Micro SD, Max 64GB
RS485	N/A
Alarm	N/A
PIR Sensor Range	N/A
General	
Power Supply	DC12V, PoE(802.3af)
Power Consumption	<4.5W
Working Environment	-30°C~+60°C, Less than 95% RH
Ingress Protection	IP66
Vandal Resistance	IK10
Dimensions	Φ130mm×57.5mm
Weight	0.25kg

HNC5230PT

Dimensions (mm)



Accessories(optional)

	
PFA123	PFB200W