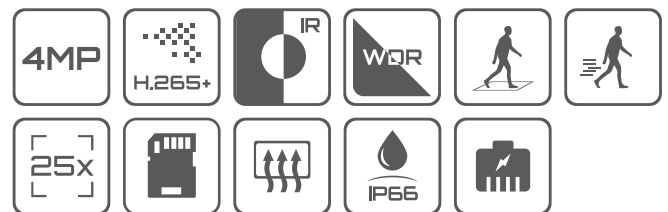


SPT5C425IR-E

4MP 25× Network IR PTZ Camera



ENS SPT5C425IR-E 4MP 25× Network IR PTZ Camera adopts 1/2.5" progressive scan CMOS chip. With the 25× optical zoom lens, the camera offers more details over expansive areas. This series of cameras can be widely used for wide ranges of high-definition, such as the rivers, roads, railways, airports, squares, parks, scenic spots, and venues, etc.



MODEL(S) AVAILABLE

SPT5C425IR-E

KEY FEATURES

- ▶ 1/2.5" progressive scan CMOS
- ▶ Support H.265+/H.265 video compression
- ▶ Up to 2560 × 1440 @ 30 fps resolution
- ▶ Min. illumination:
 - Color: 0.005 Lux @(F1.6, AGC ON)
 - B/W: 0.001 Lux @(F1.6, AGC ON)
 - 0 Lux with IR
- ▶ 25× optical zoom, 16× digital zoom
- ▶ WDR, HLC, BLC, 3D DNR, Defog, EIS, Regional Exposure, Regional Focus
- ▶ Up to 150 m IR distance
- ▶ 24 V AC & Hi-PoE
- ▶ Audio input/output
- ▶ Alarm input/output

Product Specifications

Camera	
Image Sensor	1/2.5" 4MP progressive scan CMOS
Image Resolution	2560 (H) × 1440 (V)
Electronic Shutter	50 Hz: 1/1 s ~ 1/30,000 s
	60 Hz: 1/1 s ~ 1/30,000 s
Minimum Illumination	Color: 0.005 Lux @ F1.6 (AGC ON)
	B/W: 0.001Lux @ F1.6 (AGC ON)
	0 Lux with IR
Smart IR	Support
IR Distance	Distance up to 150 m (492 ft)
Lens Type	Focal
Focal Length	4.8 ~ 120 mm
Optical Zoom	25×
Zoom Speed	Approx. 3.6 s (Optical lens, Wide - Tele)
Angle of View	Horizontal: 59.5° ~ 2.6° (Wide - Tele)
	Vertical: 35.7° ~ 1.5° (Wide - Tele)
	Diagonal: 66.6° ~ 3.0° (Wide - Tele)
Working Distance	10 mm ~ 1500 mm (Wide - Tele)
Max. Aperture	F3.5

PTZ	
Pan / Tilt / Rotation	Pan: 0° ~ 360° (Endless); Tilt: -15° ~ 80° (Auto flip)
Pan Speed	Configurable: 0.1°/s ~ 120°/s; Preset speed : 120°/s
Tilt Speed	Configurable: 0.1°/s ~ 80°/s; Preset speed : 80°/s
Proportional Zoom	Support
Presets	300
Patrol Scan	8 patrols, up to 32 presets for each patrol
Pattern Scan	4 pattern scans, record time over 10 minutes for each scan
Power-off Memory	Yes
Park Action	Preset/Pattern Scan/Patrol Scan/Auto Scan/Tilt Scan/Random Scan/Frame Scan/Panorama Scan
3D Positioning	Yes
PTZ Position Display	Yes
Preset Freezing	Yes
Scheduled Task	Preset/Pattern Scan/Patrol Scan/Auto Scan/Tilt Scan/Random Scan/Frame Scan/Panorama Scan/Dome Reboot/Dome Adjust/Aux Output

Compression Standards	
Video Compression	H.265+ / H.264+ / H.265 / H.264 / MJPEG
Smart Codec	-
Streaming Capability	3 Streams
Video Frame Rate (Main Stream)	50 Hz: 2560×1440 @ 25 fps, 1920×1080 @ 50 fps
	60 Hz: 2560×1440 @ 30 fps, 1920×1080 @ 60 fps
Video Frame Rate (Sub-Stream)	50 Hz: 704×576 @ 25 fps
	60 Hz: 704×480 @ 30 fps
Video Frame Rate (Third Stream)	50 Hz: 2560×1440 @ 25 fps
	50 Hz: 2560×1440 @ 30 fps
Video Resolution	2560 × 1440
Video Bitrate	32 Kbps ~ 16384 Kbps

Audio Compression	G.711alaw / G.711ulaw / G.722.1 / G.726/MP2L2 / PCM
Audio Bitrate	G.711alaw/G.711ulaw: 64 Kbps G.722.1/G.726: 16 Kbps MP212/PCM: 32 Kbps to 160 Kbps

Image and Feature Support	
Wide Dynamic Range	120 dB true WDR (Not supported by full frame rate)
BLC Mode	Yes
Digital Noise Reduction	3D DNR
Defog	Yes
Gain Control	Auto / Manual
Motion Detection	Off / On (4 Zone)
Region of Interest	Off / On (4 Zone)
Smart Illumination	Yes
Electronic Image Stabilization	Yes
Digital Zoom	16×
Privacy Masking	24 programmable privacy masks

Smart Function	
Basic Event	Motion Detection, Video Tampering Detection, Exception
Smart Event	Intrusion Detection, Line Crossing Detection, Region Entrance Detection, Region Exiting Detection, Object Removal Detection, Unattended Baggage Detection, Audio Exception Detection
Smart Record	ANR (Automatic Network Replenishment), Dual-VCA
ROI	Main stream, sub-stream, and third stream respectively support four fixed areas
Auto-Tracking	Yes

Network & Interface	
Ethernet	RJ-45 (10/100 Base-T), Hi-PoE
Network Protocol	IPv4/IPv6, HTTP, HTTPS, 802.1x, Qos, FTP, SMTP, UPnP, SNMP, DNS, DDNS, NTP, RTSP, RTCP, RTP, TCP/IP, UDP, IGMP, ICMP, DHCP, PPPoE, Bonjour
Network Interoperability	ONVIF (Profile S, Profile G, Profile T), ISAPI, SDK
Streaming Method	N/A
Network Max. Users	32
Storage	FTP; SFTP; Micro SD Card (support max. 256 GB); NAS
Web Viewer	IE, Chrome, Firefox, Edge
Management Software	iVMS-4200, iVMS-4500, iVMS-5200, Hik-Connect
Mobile	IOS, Android
Video Output	N/A
Alarm Linkage	Alarm actions, such as Preset, Patrol Scan, Pattern Scan, Trigger Recording, Trigger Alarm Output, Notify Surveillance Center, Upload to FTP/Memory Card/NAS, Send Email, etc.
Alarm Interface	2/1
Audio Interface	1/1
RS485	N/A

General	
Power Supply	24 V AC / Hi-PoE
Power Consumption	< 30 W (including max. 10 @ for IR)
Operating Temperature	-30 ~ 65°C (-22 ~ 149°F) / Less than 90% RH
Storage Temperature	N/A

Ingress Protection	IP66
Casing	ADC 12, PC+10% GF
Dimensions	Φ208mm × 345mm (Φ8.19" x 13.58")
Net Weight	Approx. 3300g (7.28lb)
Language (Web Browser Access)	32

Product Accessories



ES1661ZJ



ES1662ZJ

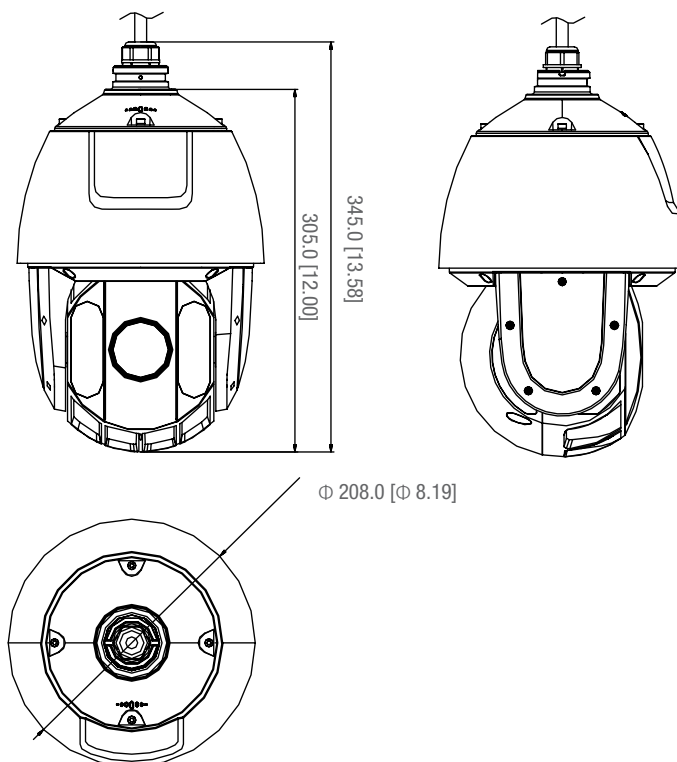


ES1660ZJ



ES1602ZJ

Product Dimensions (mm [inch])



Plainview, NY
50 Commercial St., Plainview, NY 11803
Tel: 516-870-3779

Downtown LA, CA
1113 Venice Blvd., Los Angeles, CA 90015
Tel: 213-218-2260

Miami, FL
1604 NW 84 Ave., Doral, FL 33126
Tel: 786-410-6777

College Point, NY
129-04 14th Ave., College Point, NY 11356
Tel: 718-939-2710

San Francisco, CA
41324 Christy St., San Francisco, CA 94538
Tel: 510-584-9007

Chicago, IL
873 Cambridge Dr., Elk Grove Village, IL 60007
Tel: 847-584-2227

Brooklyn, NY
9017 5th Ave., Brooklyn, NY 11209
Tel: 347-507-5533

Houston, TX
1720 Townhurst Dr., Houston, TX 77043
Tel: 430-702-0999

Las Vegas, NV
6671 S Las Vegas Blvd. #210, Las Vegas, NV 89119
Tel: 702-706-5559

City of Industry, CA
525 Parriott Pl., City of Industry, CA 91745
Tel: 626-961-8999

Dallas, TX
12901 Valley Branch Ln., Farmers Branch, TX 75234
Tel: 972-996-1600