

GV-1120B, GV-1240B, GV-1480B

GV-Combo B Card (GV-1120B, GV-1240B and GV-1480B) are of GV-Comb Card series, providing one single card solution for 16 video / audio recording and real-time display.

Minimum System Requirements

OS	32-bit	Windows 7 / 8 / 8.1 / 10 / Server 2008	
	64-bit	Windows 7 / 8 / 8.1 / 10 / Server 2008 R2 / Server 2012	
CPU	GV-1120B		Pentium 4, 3.0 GHz with Hyper Threading
	GV-1120B x 2		Core 2 Duo, E7200, 2.53 GHz
	GV-1240B		Pentium 4, 3.0 GHz, Dual Core
	GV-1240B x 2		Core 2 Duo, 3.0 GHz
	GV-1480B		Core 2 Duo, 3.0 GHz
	GV-1480B x 2		Core 2 Quad, 2.4 GHz
RAM	GV-1120B / 1240B / 1480B		2 x 1 GB Dual Channels
	GV-1120B x 2 / 1240B x 2 / 1480B x 2		2 x 1 GB Dual Channels
HDD	GV-1120B		80 GB
	GV-1120B x 2		160 GB
	GV-1240B		120 GB
	GV-1240B x 2		250 GB
	GV-1480B		250 GB
	GV-1480B x 2		500 GB
Graphic Card	AGP or PCI-Express, 800 x 600 (1280 x 1024 recommended), 32-bit color		
DirectX	9.0c		

Packing List (DVI-Type)

1. GV- Combo B Card x 1
2. 1-16 DVI-Type Video Cable x 1
3. 1-16 DVI-Type Audio Cable x 1
4. Hardware Watchdog Jumper Wire x 1
5. Software DVD x 1

Connecting One GV-Combo B Card (DVI-Type)

- Connect the DVI video and audio cables to the GV-Combo B Card.
- Connect the supplied Hardware Watchdog Jump Wire (Figure 5).

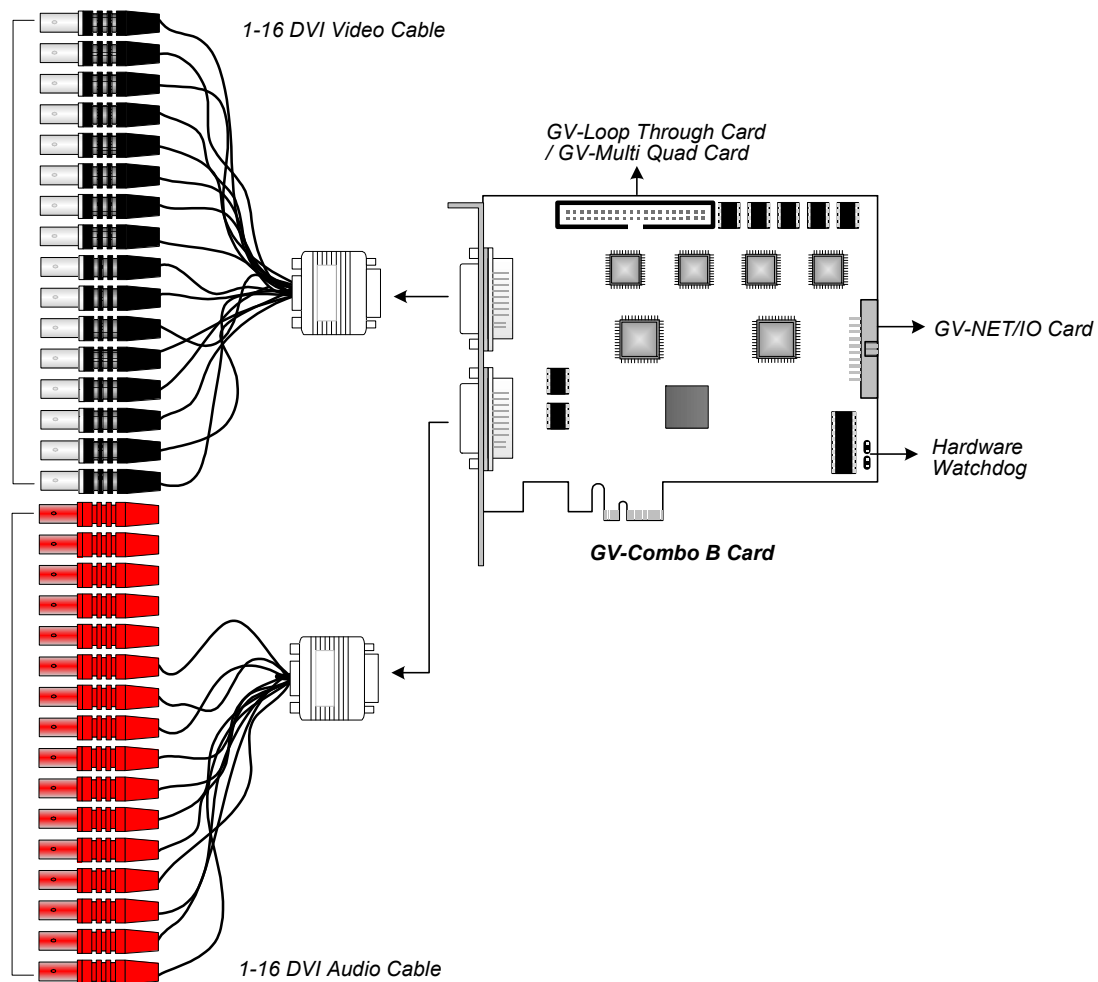


Figure 2

Note: Combo B Cards cannot work with microphones which acquire power from the PC. Use microphones that have external power supply.

Connecting Two GV-Combo B Cards

You can install two GV-Combo B Cards of the same model for up to 32 channels. Master Card is the card with 1-16 channels and Slave Card is that with 17-32 channels. Normally, the card attached to the lower PCI-E slot number will act as Master, and the card attached to the higher PCI-E slot number will act as Slave.

- **Hardware Watchdog Connection:** Connect the supplied Hardware Watchdog Jump Wire to the Master Card only (Figure 5).
- **Accessory Card Connections:**
 - ⊙ GV-NET/IO Card: Connect the card only to the Master Card.
 - ⊙ GV-Loop Through Card: Connect the card for each video capture card.
 - ⊙ GV-Multi Quad Card: Only connect one card to any of two video capture cards.

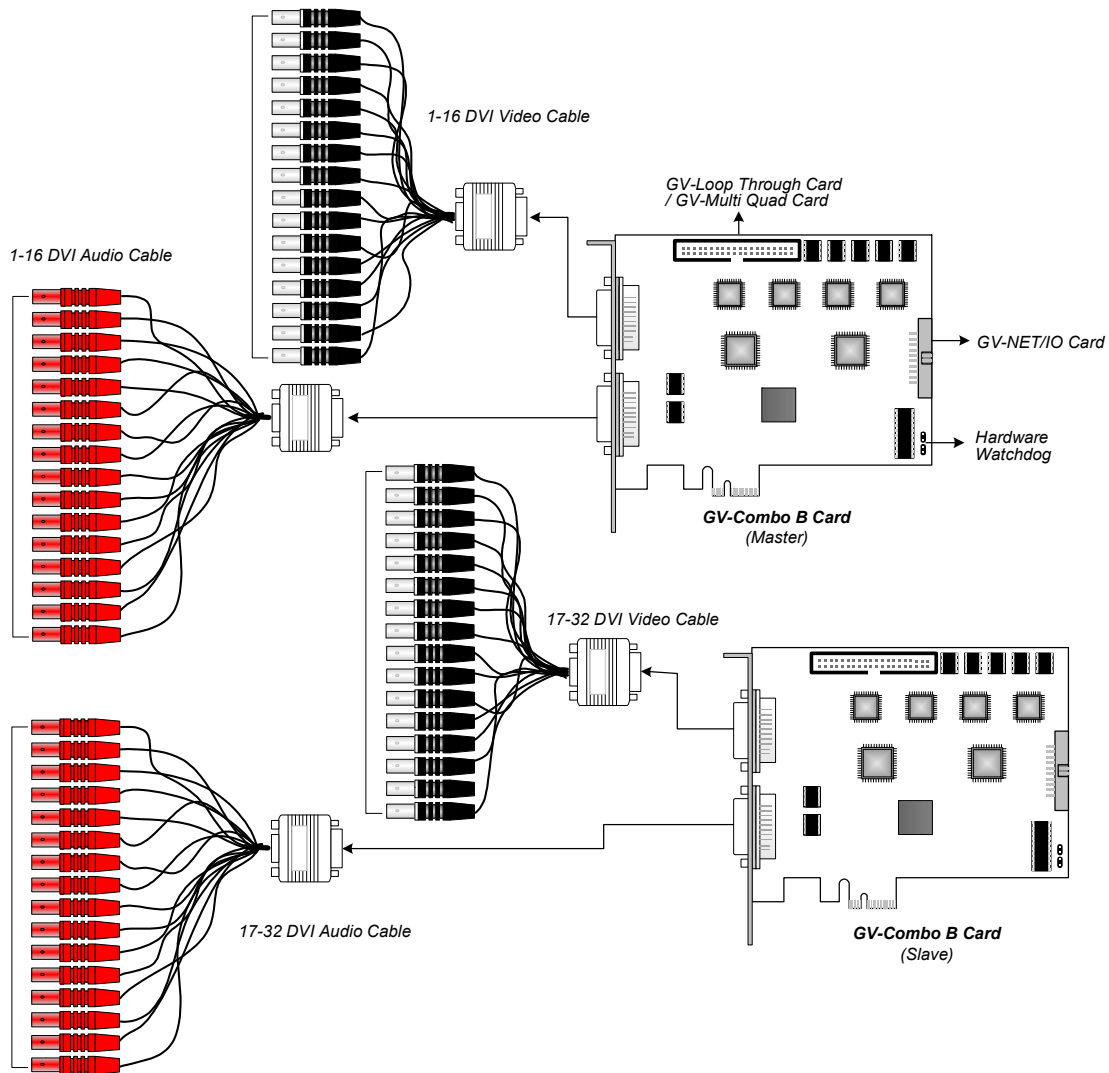


Figure 4

Connecting Hardware Watchdog

Insert the Hardware Watchdog Jumper Wire to the 2-pin connectors on the Card and on the motherboard as illustrated below. Ensure the connection is correct; otherwise the hardware watchdog will not work.

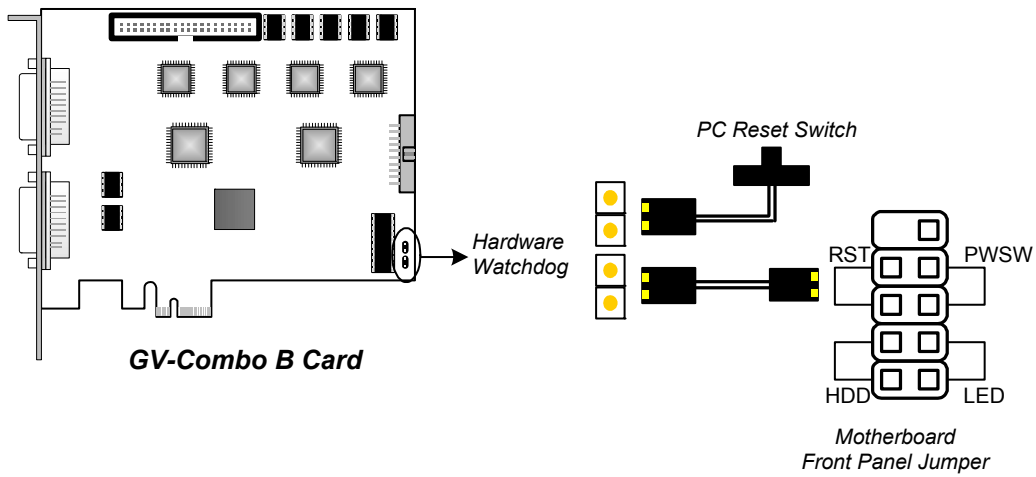


Figure 5

Installing Drivers

After installing the GV-Combo B Card in the computer, insert the software DVD. The DVD will run automatically and an installation window will pop up. Select **Install or Remove GeoVision GV-Series Driver**, and select **Install or Remove GeoVision GV-Series Card Drivers** to install card drivers.

To verify the drivers are installed correctly, go to Windows Device Manager and see if their entries are listed. The image below is an example of installing one GV-Combo B card.

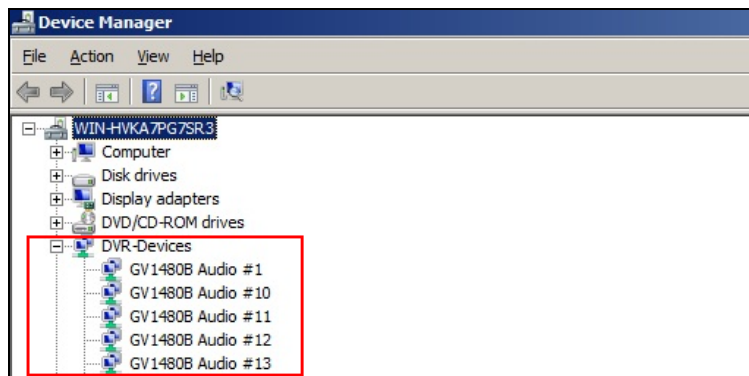


Figure 6

Expand the **DVR-Devices** field, you can see:

Card Model		Entry
GV-1120B	Single-card mode	GV-1120B Audio #1~#16 GV-1120B Video #1~#16
	Two-card mode	GV-1120B Audio #1~#16 GV-1120B Audio #1~#16 GV-1120B Video #1~#16 GV-1120B Video #1~#16
GV-1240B	Single-card mode	GV-1240B Audio #1~#16 GV-1240B Video #1~#16
	Two-card mode	GV-1240B Audio #1~#16 GV-1240B Audio #1~#16 GV-1240B Video #1~#16 GV-1240B Video #1~#16
GV-1480B	Single-card mode	GV-1480B Audio #1~#16 GV-1480B Video #1~#16
	Two-card mode	GV-1480B Audio #1~#16 GV-1480B Audio #1~#16 GV-1480B Video #1~#16 GV-1480B Video #1~#16

Specifications

			GV-1120B	GV-1240B	GV-1480B
Interface Type			PCI-E (x4)		
Input Type			DVI		
Video Input			16 Cams	16 Cams	16 Cams
Audio Input			16 Channels	16 Channels	16 Channels
Recording Rate	CIF	NTSC	120 fps	240 fps	480 fps
		PAL	100 fps	200 fps	400 fps
	D1	NTSC	120 fps	240 fps	480 fps
		PAL	100 fps	200 fps	400 fps
Display Rate	CIF	NTSC	480 fps		
		PAL	400 fps		
	D1	NTSC	480 fps		
		PAL	400 fps		
Video Resolution		NTSC	704 x 480, 704 x 480 De-interlace, 640 x 480, 640 x 480 De-interlace, 352 x 240, 320 x 240		
		PAL	704 x 576, 704 x 576 De-interlace, 640 x 480, 640 x 480 De-interlace, 352 x 288, 320 x 240		
Video Compression Format			Geo MPEG4, Geo H264		
Audio Compression Format			AAC (16 kHz / 16 bit, 32 kHz /16 bit)		
GV-Multi Quad Card Support			Yes		
GV-Loop Through Card Support			Yes		
GV-NET/IO Card Support			Yes		
Dimensions	DVI-Type		156 x 111 mm / 6.14 x 4.37 in		

			GV-1120B x 2	GV-1240B x 2	GV-1480B x 2
Interface Type		PCI-E (x4) x 2			
Input Type		DVI			
Video Input		32 Cams	32 Cams	32 Cams	32 Cams
Audio Input		32 Channels	32 Channels	32 Channels	32 Channels
Recording Rate	CIF	NTSC	240 fps	480 fps	960 fps
		PAL	200 fps	400 fps	800 fps
	D1	NTSC	240 fps	480 fps	960 fps
		PAL	200 fps	400 fps	800 fps
Display Rate	CIF	NTSC	960 fps		
		PAL	800 fps		
	D1	NTSC	960 fps		
		PAL	800 fps		
Video Resolution		NTSC	704 x 480, 704 x 480 De-interlace, 640 x 480, 640 x 480 De-interlace, 352 x 240, 320 x 240		
		PAL	704 x 576, 704 x 576 De-interlace, 640 x 480, 640 x 480 De-interlace, 352 x 288, 320 x 240		
Video Compression Format		Geo MPEG4, Geo H264			
Audio Compression Format		AAC (16 kHz / 16 bit, 32 kHz / 16 bit)			
GV-Multi Quad Card Support		Yes			
GV-Loop Through Card Support		Yes			
GV-NET/IO Card Support		Yes			
Dimensions	DVI-Type	156 x 111 mm / 6.14 x 4.37 in			