

## GV-MD8710 8MP H.265 2x Zoom Super Low Lux WDR Pro Motorized IR IP Dome



- 1/2" progressive scan super low lux CMOS
- Min. illumination at 0.03 lux
- Triple streams from H.265, H.264 and MJPEG
- Up to 30 fps at 3840 x 2160
- Motorized varifocal lens for remote focus/zoom adjustments
- Intelligent IR
- IR distance up to 30 m (100 ft)
- Day and Night function (with removable IR-cut filter)
- Wide Dynamic Range Pro (WDR Pro)
- 3-axis mechanism (pan / tilt / rotate)
- DC 12 V / PoE (IEEE 802.3af)
- Two-way audio
- Built-in Micro SD card slot (SD/SDHC/SDXC/UHS-I, Class 10)
- 3D noise reduction
- Smart streaming
- Defog
- Privacy mask
- IP address filtering
- Recording assigned by GV-Edge Recording Manager (Windows & Mac)
- Supports iPhone, iPad, Android & 3GPP
- 31 languages on Web interface
- ONVIF (Profile S, T) conformant

\* No Memory card slot & local storage function for Argentina.

\* Smart streaming requires GV-DVR / NVR V8.7.0, GV-VMS V16.10.3 or later software versions.

### Introduction

GV-MD8710 features a CMOS sensor equipped with WDR Pro, an automatic IR-cut filter and IR LEDs for day and night surveillance. With its motorized varifocal lens, the user can zoom and focus the camera from the Web interface. The camera supports H.265 video codec to achieve better compression ratio while maintaining high quality pictures at reduced network bandwidths. For night operations, the camera allows up to 30 m (100 ft) IR effective distance. Adjustable in 3 axes (pan, tilt and rotate), it offers smart surveillance solutions with all the essential features and excellent image quality.

### Active Tampering Alarm

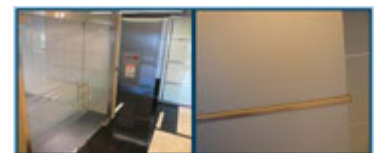
Tampered



Focus Change

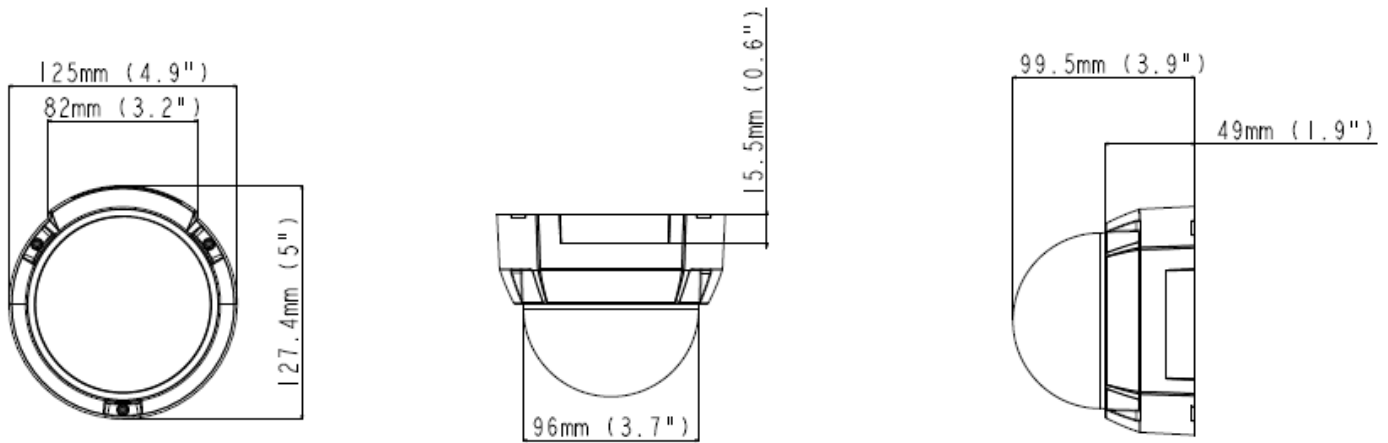


Camera Shift

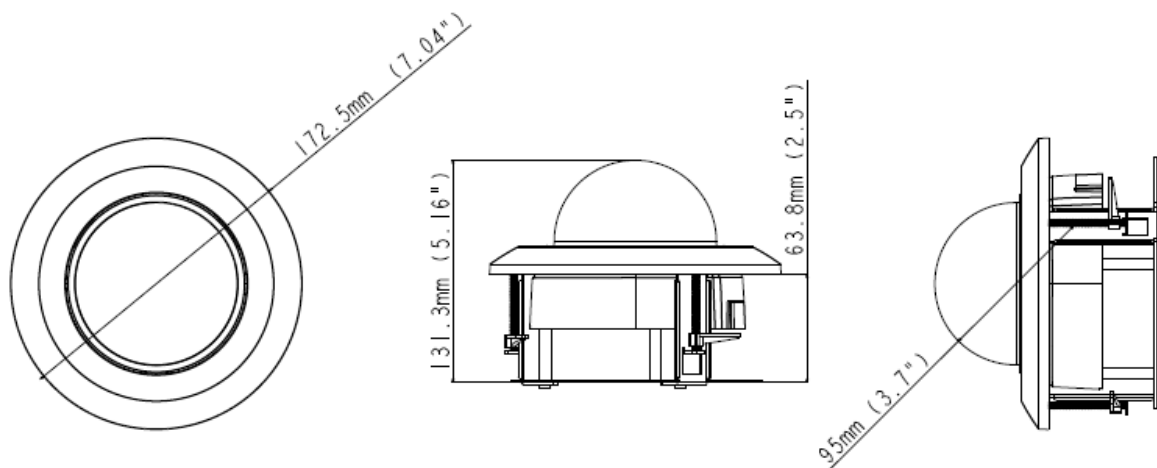


## Dimensions

### Hard-Ceiling Mount



### In-Ceiling Mount



## Specifications

Camera		
Image Sensor		1/2" progressive scan super low lux CMOS
Picture Elements		3840 (H) x 2160 (V)
Minimum Illumination	Color	0.04 Lux
	B/W	0.03 Lux
	IR ON	0 Lux
Shutter Speed		Automatic, Manual (1/5 ~ 1/16000 s)
White Balance		Automatic, Manual (2800 ~ 8500 K)
Gain Control		Automatic
S/N Ratio		52 dB
WDR Pro		Yes
Dynamic Range		Up to 120 dB
Lens		
Megapixel		Yes
Day/Night		Yes (with removable IR-cut filter)
Focal Length		4 ~ 8 mm
Lens Type		Motorized varifocal lens
Maximum Aperture		F/1.44
Mount		Ø14 mm
Horizontal FOV		112° ~ 61°

Image Format		1/2.5"
Operation	Focus	Auto
	Zoom	2X optical zoom
	Iris	P-iris
IR LED Quantity		4 IR LEDs
Max. IR Distance		30 m (100 ft)
<b>Operation</b>		
Video Compression		H.265, H.264, MJPEG
Video Streaming		Stream 1 from H.265 or H.264
		Stream 2 from H.265, H.264 or MJPEG
		Stream 3 from H.265, H.264 or MJPEG
Frame Rate		50Hz: 25 fps at 3840 x 2160 60Hz: 30 fps at 3840 x 2160 (default)
		* The frame rate and the performance may vary depending on the number of connections and data bitrates (different scenes).
Image Setting		Brightness, Contrast, Saturation, Sharpness, Gamma, White Balance, Flicker-less, Image Orientation (Flip, Mirror, 0°, 90°, 180°, 270°-including Corridor format), Shutter Speed, Backlight Compensation, D/N Sensitivity, WDR, Defog, Low Lux Enhancement, Denoise, Metering
Audio Compression		G.711
Audio Support		Two-way audio (external microphone and speaker required)
Sensor Input		1 input (dry contact)
Alarm Output		1 output (200 mA 5 V DC)
<b>Video Resolution</b>		
Main Stream	4:3	2592 x 1944, 2048 x 1536, 1600 x 1200, 1280 x 960
	16:9	3840 x 2160 (Default), 2592 x 1520, 1920 x 1080, 1280 x 720
	5:4	1280 x 1024
Sub Stream	4:3	1024 x 768, 640 x 480, 320 x 240
	16:9	1280 x 720, 640 x 360 (Default), 448 x 256
	5:4	1280 x 1024, 640 x 512, 320 x 256
Third Stream	4:3	640 x 480, 320 x 240
	16:9	640 x 360 (Default), 448 x 256
	5:4	640 x 512, 320 x 256
<b>Network</b>		
Interface		10/100 Ethernet
Ethernet Protocol		DHCP, DynDNS, FTP, HTTP, HTTPS, ICMP, IPv4, IPv6, Multicast, NTP, ONVIF (Profile S, T), QoS (DSCP), RTSP, SNMP, SMTP, TCP, UDP, UPnP, 3GPP/ISMA
Security		WEP, WPA-PSK(TKIP), WPA-PSK(AES), WPA2-PSK(TKIP), WPA2-PSK(AES)
Security Feature		- No default ID and Password
		- 802.1x authentication
		- HTTPS with SSL certificate stored within the camera
		- 256-bit AES encryption (requires working with GV-VMS V18.1 or later)
<b>Mechanical</b>		
Temperature Detector		Yes
Camera Angle Adjustment	Pan	0° ~ 350°
	Tilt	0° ~ 75°
	Rotate	0° ~ 340°
Connectors	Power	2-pin terminal block (DC 12 V, 1.25 A), PoE
	Ethernet	Ethernet (10/100 Base-T), RJ-45 cable
	Audio	1 In (microphone jack, 3.5 mm / 0.14") 1 Out (stereo phone jack, 3.5 mm / 0.14")
	Digital I/O	I/O wires
	Local Storage	Micro SD card slot (SD/SDHC/SDXC/UHS-I, Class 10) *UHS-II card type is not supported.
LED Indicator		2 LEDs: Power, Status

General		
Environment Temperature	Start-up	0 °C ~ 50 °C (32 °F ~ 122 °F)
	Operation	
Humidity	10% ~ 90% (no condensation)	
Power Source	12 V DC / PoE (IEEE 802.3af)	
Max. Power Consumption	9.5 W	
Dimension	ø 125 x 99.5 mm (4.92" x 3.92")	
Weight	500 g (1.10 lb)	
Regulatory	CE, FCC, LVD, RoHS compliant	
Power over Ethernet		
PoE Standard	PoE (IEEE 802.3af Power over Ethernet / PD)	
PoE Power Supply Type	End-Span and Mid-Span	
PoE Power Output	Per Port 48 V DC, 320 mA. Max. 15.4 W	
Web Interface		
Installation Management	Web-based configuration	
Maintenance	Firmware upgrade through Web browser or GV-IP Device Utility	
Access from Web Browser	Camera Live View, Video Recording, Change Video Quality, Bandwidth Control, Image Snapshot, Audio, Picture in Picture, Picture and Picture, Privacy Mask, Text Overlay, Digital PTZ	
Language	Arabic / Bulgarian / Czech / Danish / Dutch / English / Finnish / French / German / Greek / Hebrew / Hungarian / Indonesian / Italian / Japanese / Lithuanian / Norwegian / Persian / Polish / Portuguese / Romanian / Russian / Serbian / Simplified Chinese / Slovakian / Slovenian / Spanish / Swedish / Thai / Traditional Chinese / Turkish	
Applications		
Software Supported	GV-DVR / NVR (V8.8.0), GV-VMS (V17.2.1), GV-Edge Recording Manager Win Version (V1.4.0), GV-Control Center (V3.6.0), GV-Recording Server (V1.4.2), GV-Redundant / Failover Server (V1.1.0.0)	
Smart Device Access	GV-Eye for iOS and Android	
Live Viewing	Browser (IE, Chrome, Firefox, Safari), Mobile app	

**Note:**

1. It is required to apply patch files to some or all of the supported software.
2. Specifications are subject to change without prior notice.

**Packing List**


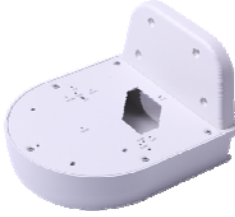


- |                          |                         |
|--------------------------|-------------------------|
| 1. H.265 IR IP Dome      | 6. I/O Wire             |
| 2. Screw x 3             | 7. Installation Sticker |
| 3. Screw Anchor x 3      | 8. Download Guide       |
| 4. Torx Wrench           | 9. Warranty Card        |
| 5. Shielding Ground Wire |                         |

**Note:** Power adapters can be purchased upon request.

**Accessories**

Model No.	Name	Details
GV-Mount100	Straight Tube and Junction Box Kit	 <p>Dimensions: 200 x 170 x 257.5 mm (7.9" x 6.7" x 10.1") Weight: 3.17 kg (6.99 lb)</p>

Model No.	Name		Details
GV-Mount101	Straight Tube Kit		Dimensions: 219 x 125 x 332 mm (8.6" x 4.9" x 13.1") Weight: 1.8 kg (3.97 lb)
GV-Mount200	Wall Pendant Mount		Dimensions: 225 x 140 x 250 mm (8.9" x 5.5" x 9.8") Weight: 900 g (1.98 lb)
GV-Mount203	Wall Mount and Junction Box		Dimensions: 315 x 195.5 x 225 mm (12.4" x 7.7" x 8.9") Weight: 2.95 kg (6.5 lb)
GV-Mount300-1	Convex Corner Adapter Kit		Dimensions: 238.6 x 395.2 x 210 mm (9.4" x 15.5" x 8.2") Weight: 4.27 kg (9.41 lb)
GV-Mount310-1	Concave Corner Adapter Kit		Dimensions: 111.2 x 369.9 x 210 mm (4.37" x 14.5" x 8.2") Weight: 2.96 kg (6.53 lb)
GV-Mount400-1	Pole Mount Bracket Kit (Ø 4" ~ 6")		Dimensions: Bracket: 68.4 x 240 x 163 mm (2.69" x 9.44" x 6.41") Weight: 1.70 kg (3.75 lb) Steel Strap Diameter: Ø 4" ~ 6"
GV-Mount410-1	Pole Mount Bracket Kit (Ø 6" ~ 7.5")		Dimensions: Bracket: 68.4 x 240 x 163 mm (2.69" x 9.44" x 6.41") Weight: 1.70 kg (3.75 lb) Steel Strap Diameter: Ø 6" ~ 7.5"

Model No.	Name		Details
GV-Mount702	Extension Tube		<p>Four options available.</p> <p>Dimensions:  <math>\varnothing</math> 5.4 x 10 or 20 or 30 or 50 cm            (<math>\varnothing</math> 2.1" x 3.9" or 7.9" or 11.8" or 19.7")</p> <p>Weight:            180 g or 390 g or 550 g or 800 g            (0.4 lb or 0.86 lb or 1.21lb or 1.76 lb)</p>
GV-Mount909	Wall Mount Bracket		<p>Dimensions: 170 x 150 x 110 mm            (6.7" x 5.9" x 4.3")</p> <p>Weight: 610 g (1.34 lb)</p>
GV-Mount910	Power Box Mount Bracket		<p>Dimensions: 112 x 98 x 7.5 mm            (4.4" x 3.9" x 0.3")</p> <p>Weight: 105 g (0.23 lb)</p>
GV-Mount913	Power Box Mount Bracket		<p>Dimensions: <math>\varnothing</math> 146 x 7.5 mm (<math>\varnothing</math> 5.7" x 0.3")</p> <p>Weight: 180 g (0.4 lb)</p>
GV-Mount915	In-Ceiling Mounting Kit for GV-EFD2101 / 3101 / 5101		<p>Dimensions: <math>\varnothing</math> 172.5 x 63.8 mm (<math>\varnothing</math> 7.04" x 2.5")</p> <p>Weight: 424 g (0.93 lb)</p>
GV-Mount917	GV-EFD2101 / 3101 / 5101 Dome Housing		<p>Dimensions: <math>\varnothing</math> 186 x 97.5 mm (<math>\varnothing</math> 7.3" x 3.8")</p> <p>Weight: 948 g (2.09 lb)</p>
GV-PA191	PoE Adapter		<p>Dimensions: 43 x 69 x 40 mm            (1.69" x 2.72" x 1.57")</p> <p>Weight: 130 g (0.29 lb)</p>
<a href="#">GV-POE Switch</a>			GV-POE Switch is designed to provide power along with network connection for IP devices. The GV-POE Switch is available in various models with different numbers and types of ports.
Power Adapter			Contact our sales representatives for the countries and areas supported.