

GV-SD2722-IR (22x) 2MP H.265 Super Low Lux WDR Pro Outdoor IR IP Speed

Dome



- 1/1.8" progressive scan super low lux CMOS sensor
- Min. illumination at 0.0005 lux
- Triple streams from H.265, H.264 or MJPEG
- Up to 60 fps at 1920 x 1080
- 22x optical zoom and unlimited digital zoom
- Intelligent IR
- IR distance up to 200 m (655 ft)
- Day and night function (with removable IR-cut filter)
- Two sensor inputs and one alarm output
- Wide Dynamic Range Pro (WDR Pro)
- Vandal resistance (IK10 for metal casing)
- Ingress protection (IP66)
- Wide temperature tolerance (-40°C ~ 70°C / -40°F ~ 158°F)
- Support for TV-out
- Two-way audio
- Built-in micro SD card slot (SDHC/SDXC, Class 10) for local storage
- DC 24V / AC 24V
- Pan 360° endlessly
- Tilt from -15° to 90°
- Pan and tilt speed of up to 300°/sec and 240°/sec, respectively
- PTZ movement (Preset, Auto Pan and Patrol)
- PTZ patrol by schedule
- Smart settings (Cross line, Intrusion, Auto tracking)
- Intelligent Mark
- Auto focus
- 3D noise reduction
- Motion detection
- Privacy mask
- ONVIF (Profile G, S, T) conformant

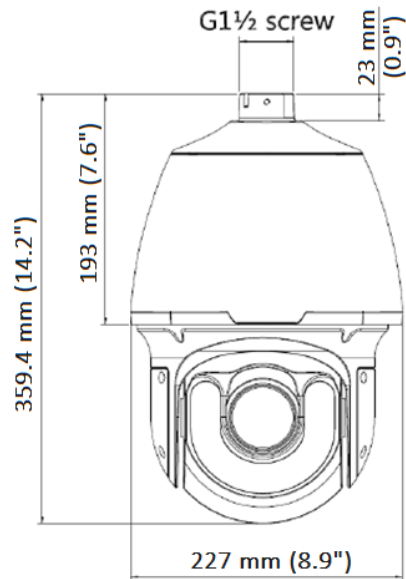
*No memory card slot & local storage function for Argentina

Introduction

The GV-SD2722-IR is an outdoor network PTZ camera that offers 22x optical zoom and unlimited digital zoom, capable of showing smooth live view with great details. This camera can simultaneously deliver three video streams in resolutions up to 1920 x 1080 at 60 fps. In low-light environments, night vision is enhanced with its high-power LEDs, which allow up to 200 m (655 ft) effective IR distance. The camera can process scenes with contrasting intensity of lights and produce clear image using the built-in WDR Pro. The GV-SD2722-IR supports H.265 video codec to achieve better compression ratio while maintaining high quality pictures at reduced network bandwidths.

Wide surveillance coverage is made possible with 360° endless panning and -15° ~ 90° tilting capacity. PTZ functions such as Preset, Auto Pan, and Patrol can be programmed and activated by schedule. The GV-SD2722-IR supports pan/tilt speeds ranging from a fast patrol of 240° per second to a slow ramble of 0.1° per second with 0.1° pan accuracy for fast and accurate tracking ability.

Dimensions



Specifications

| Camera | | |
|----------------------|------------------------------------------------------------------------------------------------------------------------------------------------------------|-------------------------------------------------------------------------------|
| Image Sensor | 1/1.8" progressive scan super low lux CMOS | |
| Optical Zoom | 22x | |
| Digital Zoom | Unlimited | |
| Picture Elements | 1920 (H) x 1080 (V) | |
| Minimum Illumination | Color | 0.0005 Lux (F1.5, AGC ON) |
| | IR ON | 0 Lux |
| Shutter Speed | Auto / Manual (1/6 ~ 1/100000 sec) | |
| White Balance | Auto / Manual | |
| Iris Control | Auto / Manual | |
| AGC control | Auto / Manual | |
| S/N Ratio | 52 dB | |
| WDR Pro | Yes | |
| Dynamic Range | Up to 120 dB | |
| Optical Lens | | |
| Megapixel | Yes | |
| Day / Night | Yes (with removable IR-cut filter) | |
| Focal Length | 6.5 ~ 143 mm | |
| Maximum Aperture | F/1.5 | |
| Horizontal FOV | 57.2° ~ 3.3° | |
| Operation | Focus | Auto / Manual |
| | Zoom | 22x |
| | Iris | Auto / Manual |
| IR LED Quantity | 10 IR LEDs | |
| Max. IR Distance | 200 m (655 ft) | |
| Video | | |
| Video Compression | H.265, H.264, MJPEG | |
| Video Streaming | Triple streams from H.265, H.264 or MJPEG | |
| Video Resolution | Main Stream | 1920 x 1080 (Default), 1280 x 720 |
| | Sub Stream | 1920 x 1080, 1280 x 720, 720 x 576, 704 x 288, 640 x 360 (Default), 352 x 288 |
| | Third Stream (Closed by Default) | 720 x 576, 704 x 288, 640 x 360, 352 x 288 |
| Frame Rate | 60 fps at 1920 x 1080 (60/50 Hz) * The frame rate and performance may vary depending on the number of connections and data bitrates (different scenes). | |

| | | |
|-------------------------------------|---------------------------------------------------------------------------------------------------------------------------------------------------------------------------------------------------------------------------------------------------------------------------------------------------------------------------------------------------------------------------------------------------------------------|-----------------------------------------------------------------------------------------------------------------|
| Video Analytics | Motion Detection, Tampering Alarm, Audio Detection, Cross Line, Intrusion, Object Moving, Object Left, Face Detection, People Counting, Auto Tracking *Tampering Alarm, Audio Detection, Cross Line, Intrusion, Object Moving, Object Left, Face Detection, People Counting and Auto Tracking are only accessible through the camera's Web interface, which can be used to trigger alerts such as e-mail and FTP | |
| Image Setting | Brightness, Contrast, Saturation, Sharpness, Flicker-less, Image Orientation (Flip, Mirror, 0°, 90°, 180°, 270°-including Corridor format) | |
| Audio | | |
| Audio Compression | G.711 | |
| Audio Support | Two-way Audio (external microphone and speaker required) | |
| Network | | |
| Interface | 10/100 Ethernet | |
| Protocol | 802.1x, ARP, DHCP, DDNS, DNS, DynDNS, FTP, HTTP, HTTPS, ICMP, IGMP, IPv4, NTP, PPPoE, QoS, RTCP, RTP, RTSP, SMTP, SNMP, TCP, UDP, UPnP, ONVIF (Profile G, S, T) | |
| Mechanical | | |
| Connectors | Power | 3-pin terminal block (DC 24V / AC 24V, 2.5A) |
| | Ethernet | 10/100 Base-T, RJ-45 connector |
| | Audio | 1 in (Audio In Wire); 1 out (Audio Out Wire) *The Audio In port only supports microphones with power supply. |
| | Local Storage | Micro SD card slot (SDHC / SDXC, Class 10) * UHS-I and UHS-II card types are not supported. |
| | TV-Out | BNC connector |
| | Digital I/O | I/O wires |
| Operation | | |
| Pan Travel | 360° endless | |
| Tilt Travel | -15° ~ 90° | |
| Manual Speed | Pan | 0.1° ~ 240°/s |
| | Tilt | 0.1° ~ 160°/s |
| Preset Speed | Pan | 300°/s |
| | Tilt | 240°/s |
| Presets | Max. Number | 255 |
| | Accuracy | 0.1° |
| Patrol | Max. Number | 16 |
| | Max. Actions Allowed | 32 |
| OSD | 8 | |
| Privacy Mask | 24 | |
| Proportional Pan & Tilt | Auto (Pan and tilt speed proportional to zoom ratio) | |
| Automatic Function | Preset, Patrol (Including Auto Pan) | |
| Mechanical Flip | Yes | |
| Digital Slow Shutter | On / Off | |
| Motion Detection | On / Off | |
| Wide Dynamic Range | On / Off | |
| Day/Night: Mechanical IR Cut Filter | On / Off | |
| Image Rotation | Normal, Flip Vertical, Flip Horizontal, 180°, 90° Clockwise, 90° Anti-clockwise | |
| 3D Noise Reduction | 0 ~ 255 | |
| Alarm | Digital I/O | 2 Inputs, dry contact, NO / NC 1 Relay Output (1A 30V DC / 0.3A 125V AC) |
| | Reaction | Alarm Output, PTZ to Preset, Trigger Storage |
| General | | |
| Operating Temperature | -40°C ~ 70°C (-40°F ~ 158°F) | |
| Fan-On | Constantly On | |
| Humidity | 20% ~ 90% (non-condensing) | |
| Dimensions | Ø 227 x 359.4 mm (8.94" x 14.15") | |
| Weight | 5.4 kg (11.9 lb) | |
| Power Source | 24V AC / 24V DC | |
| Power Consumption | 52.5 W | |
| Ingress Protection | IP66 | |

| | |
|-------------------------|---------------------------------------------------------------------------------------------------------------------------------------------------------------------------------------------------------------------------------------------------------------------------------------------------------------------|
| Vandal Resistance | IK10 for metal casing |
| Regulatory | CE, FCC, RoHS compliant |
| Web Interface | |
| Installation Management | Web-based configuration |
| Maintenance | Firmware upgrade through Web Browser or Utility |
| Access from Web Browser | Live View, Playback, Video Recording, PTZ Control, Preset, Patrol, Image Quality, Bandwidth Control, Image Snapshot, Two-way Audio, Digital Zoom, 3D Positioning (Optical Zoom), Text Overlay, Image Masking, Intelligent Mark, Cross Line, Intrusion, Auto Tracking, PTZ Remote Control |
| Language | Czech, English, French, German, Hungarian, Italian, Japanese, Polish, Portuguese, Russian, Spanish, Traditional Chinese |
| Applications | |
| Software Supported | GV-VMS (V17.1.0.100), GV-DVR / NVR (V8.7.4.0), GV-Control Center (V3.5.0.0), GV-Recording Server / Video Gateway (V1.3.0.0), GV-Edge Recording Manager (V1.3.0.0), GV-Redundant / Failover Server (V1.1.0.0) *It is required to apply patch files to all the supported software except for GV-VMS (V17.1.0.100). |
| Smart Device Access | GV-Eye for iOS and Android |
| Live Viewing | Browser (IE, Edge, Chrome, Firefox, Safari), Mobile App |

Note:

- Do not use clothes or any ordinary material to clean the camera cover since they may result in scratches.
- Mind the following when using an inserted memory card for recording:
 - Recorded data on the memory card can be damaged or lost if the data are accessed while the camera is under physical shock, power interruption, memory card detachment or when the memory card reaches the end of its lifespan. No guarantee is provided for such causes.
 - The stored data can be lost if the memory card is not accessed for a long period of time. Back up your data periodically if you seldom access the memory card.
 - Memory cards are expendable and their durability varies according to the conditions of the installed site and how they are used. Back up your data regularly and replace the memory card annually.
 - To avoid power outage, it is highly recommended to apply a battery backup (UPS).
 - For better performance, it is highly recommended that you use a micro SD card of SDHC/SDXC, Class 10.
 - Replace the memory card when its read/write speed is lower than 6 MB/s or when the memory card is frequently undetected by the camera.
- Specifications are subject to change without notice.

Packing List

- | | |
|----------------------------|--------------------------|
| 1. GV-SD2722-IR Speed Dome | 5. Waterproof Guidelines |
| 2. 24V AC Power Adapter | 6. Download Guide |
| 3. M4 Hex Key | 7. Warranty Card |
| 4. Waterproof Rubber Set | |

Accessories

| Model No. | Name | | Details |
|-------------|------------------------------------|-------------------------------------------------------------------------------------|-------------------------------------------------------------------------------------|
| GV-Mount104 | Straight Tube Kit |  | Dimensions: 219 x 125 x 332 mm (8.6" x 4.9" x 13.1") Weight: 1.8 kg (3.97 lb) |
| GV-Mount105 | Straight Tube and Junction Box Kit |  | Dimensions: 256 x 256 x 297 mm (10.1" x 10.1" x 11.7") Weight: 6.2 kg (13.67 lb) |

| | | | |
|---------------|--------------------------------------|----------------------------------------------------------------------------------------------------|------------------------------------------------------------------------------------------------------------------------------------------------------------------------------------------------------------|
| GV-Mount210 | Wall Pendant Mount |  | Dimensions: 200 x 140 x 249 mm (7.9" x 5.5" x 9.80") Weight: 1.1 kg (2.43 lb) |
| GV-Mount208-3 | Swan Neck Mount |  | Dimensions: 1043 x 519 x 256 mm (41.06 x 20.43 x 10.08") Weight: 10.6 kg (23.37 lb) |
| GV-Mount300-1 | Convex Corner Adapter Kit |  | Dimensions: 238.6 x 395.2 x 210 mm (9.4" x 15.5" x 8.2") Weight: 4.27 kg (9.41 lb) |
| GV-Mount310-1 | Concave Corner Adapter Kit |  | Dimensions: 111.2 x 369.9 x 210 mm (4.37" x 14.5" x 8.2") Weight: 2.96 kg (6.53 lb) |
| GV-Mount400-1 | Pole Mount Bracket Kit (Ø 4" ~ 6") |  | Bracket: 68.4 x 240 x 163 mm (2.69" x 9.44" x 6.41") Weight: 1.70 kg (3.75 lb) Steel Strap Diameter: Ø 4" ~ 6" |
| GV-Mount410-1 | Pole Mount Bracket Kit (Ø 6" ~ 7.5") |  | Bracket: 68.4 x 240 x 163 mm (2.69" x 9.44" x 6.41") Weight: 1.70 kg (3.75 lb) Steel Strap Diameter: Ø 6" ~ 7.5" |
| GV-Mount501 | Convex Corner Box Mount |  | Dimensions: 136 x 256 x 256 mm (5.4 x 10.1 x 10.1") Weight: 4.8 kg (10.6 lb) |
| GV-Mount702 | Extension Tube |  | Four options are available. Dimensions: Ø 5.4 x 10 or 20 or 30 or 50 cm (Ø 2.1" x 3.9" or 7.9" or 11.8" or 19.7") Weight: 180 g or 390 g or 550 g or 800 g (0.4 lb or 0.86 lb or 1.21 lb or 1.76 lb) |