

GV-VD5711 5MP H.265 2x Zoom Low Lux WDR IR Vandal Proof IP Dome



- 1/1.8" progressive scan low lux CMOS
- Triple streams from H.265, H.264 and MJPEG
- Up to 30 fps at 2592 x 1944
- Vandal resistance (IK10+)
- Ingress protection (IP67)
- Motorized varifocal lens for remote focus/zoom adjustment
- P-Iris for auto Iris adjustment
- 3-axis mechanism (pan / tilt / roll)
- Removable IR-cut filter for Day/Night function
- High power IR LEDs
- Intelligent IR
- IR distance up to 30 m (100 ft)
- External microphone
- Two-way audio
- One sensor input and alarm output
- TV-out support
- Built-in micro SD card slot (SD/SDHC/SDXC/UHS-I) for local storage
- Recording assigned by GV-Edge Recording Manager (Windows & Mac version)
- DC 12V / AC 24V / PoE+ (IEEE 802.3at)
- Wide Dynamic Range (WDR)
- 3D noise reduction
- Smart streaming
- Defog
- Motion detection
- Tampering alarm
- Privacy mask
- Text overlay
- IP address filtering
- Supports iPhone, iPad, Android & 3GPP
- 31 languages on Web interface
- ONVIF (Profile S, T) conformant

* No Memory card slot & local storage function for Argentina.

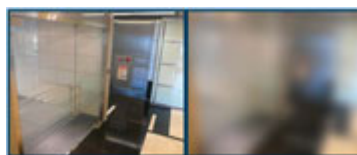
* Smart streaming requires GV-DVR / NVR V8.7.0, GV-VMS V16.10.3.0 or later software versions.

Active Tampering Alarm

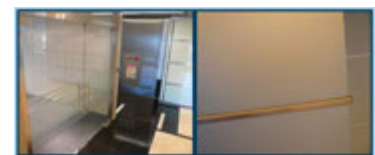
Tampered



Focus Change



Camera Shift



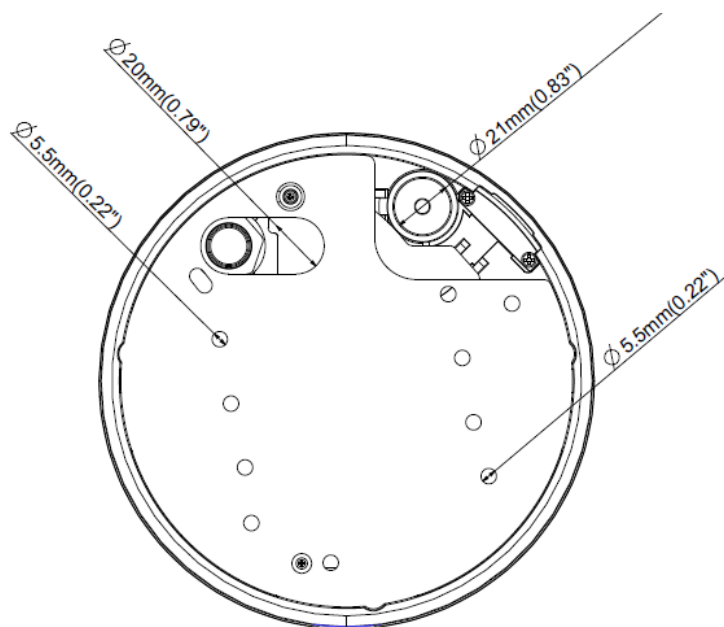
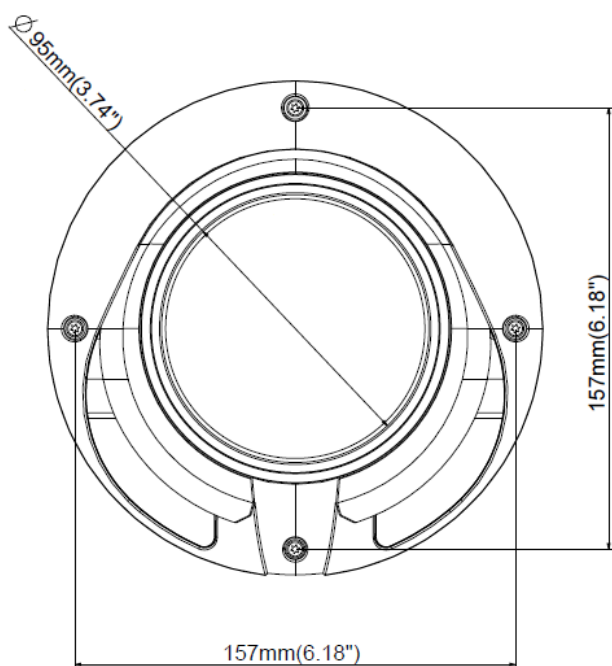
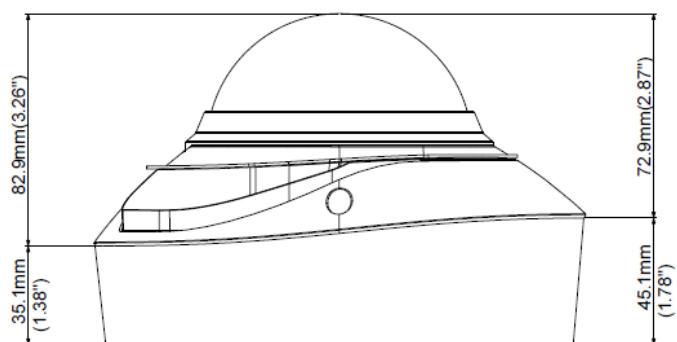
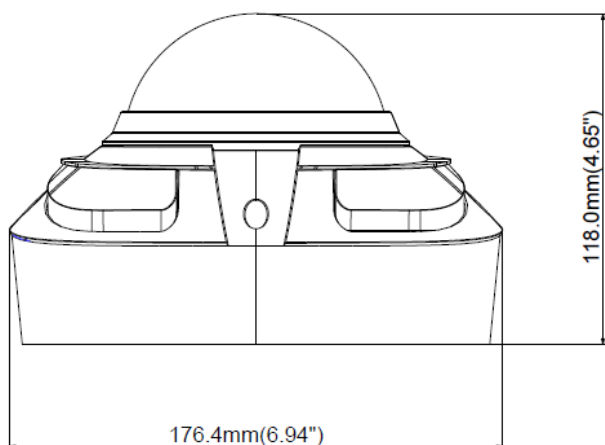
Introduction

GV-VD5711 is an outdoor camera designed with IK10+ vandal resistance and IP67 ingress protection. With its motorized varifocal lens, the user can zoom and focus the camera from the Web interface. The night vision is enhanced with its high-power LEDs with up to 30 m (100 ft) effective distance. GV-VD5711 supports H.265 video codec to achieve better compression ratio while maintaining high quality pictures at reduced network bandwidths.

Overview



Dimensions



Specifications

Camera		
Image Sensor	1/1.8" progressive scan CMOS	
Picture Elements	2592 (H) x 1944 (V)	
Minimum Illumination	Color	0.04 Lux
	B/W	0.03 Lux
	IR ON	0 Lux
Shutter Speed	Automatic, Manual (1/5 ~ 1/8000 sec)	
White Balance	Automatic, Manual (2800K ~ 8500K)	
Gain Control	Automatic	
S/N Ratio	46 dB	
WDR	Yes	
Dynamic Range	72 dB	
Lens		
Megapixel	5 MP	
Day / Night	Yes (with removable IR-cut filter)	
Lens Type	Motorized varifocal lens	
Focal Length	4 ~ 8 mm	
Maximum Aperture	F/1.65	
Mount	Ø 14 mm	
Image Format	1/1.8"	
Horizontal FOV	90° ~ 48°	
Operation	Focus	Auto focus
	Zoom	2x optical zoom
	Iris	P-Iris
High Power IR LED Quantity	6 IR LEDs	
Max. IR Distance	30 m (100 ft)	
Operation		
Video Compression	H.265, H.264, MJPEG	
Video Stream	Stream 1	H.265 and H.264
	Stream 2	H.265, H.264, and MJPEG
	Stream 3	H.265, H.264, and MJPEG
Frame Rate	50Hz: 25 fps at 2592 x 1944, 25 fps at 2592 x 1520 60Hz: 30 fps at 2592 x 1944, 30 fps at 2592 x 1520 * The frame rate and performance may vary depending on the number of connections and data	
Image Setting	Brightness, Contrast, Sharpness, Gamma, White Balance, Flicker-less, Image Orientation (Flip, Mirror, 0°, 90°, 180°, 270°-including Corridor format), Backlight Compensation, D/N Sensitivity, Shutter Speed, WDR, Defog, Zoom, Focus Change, Denoise, Metering	
Audio Compression	G.711	
Audio Support	Two-way Audio (external microphone and speaker required)	
Sensor Input	1 Input (dry contact)	
Alarm Output	1 Output (200 mA 5V DC)	
Video Resolution		
Main Stream	4:3	2592 x 1944 (Default), 2048 x 1536, 1600 x 1200, 1280 x 960, 640 x 480
	16:9	2592 x 1520, 2304 x 1296, 1920 x 1080, 1280 x 720, 640 x 360
	5:4	1280 x 1024, 640 x 512
Sub Stream	4:3	1024 x 768, 640 x 480 (Default), 320 x 240
	16:9	1280 x 720, 640 x 360, 448 x 256
	5:4	1280 x 1024, 640 x 512, 320 x 256
Third Stream (Closed by Default)	4:3	640 x 480, 320 x 240
	16:9	640 x 360, 448 x 256
	5:4	640 x 512, 320 x 256
Network		
Interface	10/100 Ethernet	
Ethernet Protocol	DHCP, DNS, DynDNS, FTP, HTTP, HTTPS, ICMP, IPv4, IPv6, Multicast, NTP, ONVIF (Profile S, T), QoS (DSCP), RTCP, RTSP, SNMP, SMTP, SSL, TCP/IP, UDP, UPnP, 3GPP/ISMA	

Security Feature	<ul style="list-style-type: none"> - No default ID and Password - 802.1x authentication - HTTPS with a SSL certificate stored in the camera - 256-bit AES encryption (requires firmware V1.14 or later working with GV-VMS V18.1 or later) 	
Mechanical		
Temperature Detector	Yes	
Camera Angle Adjustment	Pan	-90° ~ 90°
	Tilt	0° ~ 85°
	Rotate	0° ~ 350°
Connectors	Power	2-pin terminal block (DC 12V, 3.5A), PoE
	Ethernet	Ethernet (10/100 Base-T), RJ-45 cable
	Audio	1 In (3.5mm phone jack for microphone) 1 Out (3.5mm phone jack for speaker)
	Digital I/O	3-pin terminal block, pitch 2.5 mm (0.1")
	Local Storage	Micro SD card slot (SD/SDHC/SDXC/UHS-I, Class 10) *UHS-II card type is not supported.
	TV-Out	BNC connector (D1 resolution)
LED Indicator	2 LEDs: Power, Status	
General		
Environment Temperature	Start-up	-20°C ~ 50°C (-4°F ~ 122°F)
	Operation	
Humidity	10% to 90% (no condensation)	
Power Source	12V DC / 24V AC / PoE+ (IEEE 802.3at)	
Max. Power Consumption	25.5 W	
Dimensions	Camera Body	∅ 176.5 x 118 mm (∅ 6.9" x 4.6")
Weight	1.83 kg (4.03 lb)	
Ingress Protection	IP67	
Vandal Resistance	IK10+	
Regulatory	CE, FCC, RCM, LVD, RoHS compliant	
Power over Ethernet		
PoE Standard	PoE+ (IEEE 802.3at Power over Ethernet / PD)	
PoE Power Supply Type	End-Span and Mid-Span	
PoE Power Output	Per Port 48V DC, 600 mA, Max. 30 watts	
Web Interface		
Installation Management	Web-based configuration	
Maintenance	Firmware upgrade through Web Browser or Utility	
Access from Web Browser	Camera live view, video recording, change video quality, bandwidth control, image snapshot, audio, Wide Angle Lens Dewarping, Picture in Picture, Picture and Picture, Privacy Mask, Visual automation, Text overlay	
Language	Arabic / Bulgarian / Czech / Danish / Dutch / English / Finnish / French / German / Greek / Hebrew / Hungarian / Indonesian / Italian / Japanese / Lithuanian / Norwegian / Persian / Polish / Portuguese / Romanian / Russian / Serbian / Simplified Chinese / Slovakian / Slovenian / Spanish / Swedish / Thai / Traditional Chinese / Turkish	
Applications		
Software Supported	GV-DVR / NVR (V8.7.1.0), GV-VMS (V15.11.1.0), GV-Edge Recording Manager (V1.2.0.0), GV-Center V2 (V15.10.0.0), GV-Recording Server (V1.3.0.0), GV-Redundant / Failover Server (V1.1.0.0)	
Smart Device Access	GV-Eye for iOS and Android	
Live Viewing	Browser (IE, Chrome, Firefox, Safari), Mobile app	
CMS Server support	GV-Control Center, GV-Center V2, GV-Vital Sign Monitor	

Note:

1. It is required to apply patch files to all the supported software.
2. Do not use clothes or any ordinary material to clean the camera cover since they may result in scratches.
3. Mind the following when using a memory card for recording:

- Recorded data on the memory card can be damaged or lost if the data are accessed while the camera is under physical shock, power interruption, memory card detachment or when the memory card reaches the end of its lifespan. No guarantee is provided for such causes.
 - The stored data can be lost if the memory card is not accessed for a long period of time. Back up your data periodically if you seldom access the memory card.
 - Memory cards are expendable and their durability varies according to the conditions of the installed site and how they are used. Back up your data regularly and replace the memory card annually.
 - To avoid power outage, it is highly suggested to apply a battery backup (UPS).
 - For better performance, it is highly suggested to use Micro SD card of MLC NAND flash, Class 10.
 - Replace the memory card when its read/write speed is lower than 6 MB/s or when the memory card is frequently undetected by the camera.
4. Specifications are subject to change without notice.

Packing List

- | | |
|-------------------------|----------------------------------|
| 1. Vandal Proof IP Dome | 10. Short Screw |
| 2. Torx Wrench | 11. Silica Gel Bag |
| 3. Safety Wire | 12. Sticker (for Silica Gel Bag) |
| 4. RJ-45 Connector x 2 | 13. Ruler |
| 5. Back Plate 1 set | 14. Conduit Converter |
| 6. Installation Sticker | 15. PG21 Conduit Connector |
| 7. Screw Anchor x 4 | 16. Download Guide |
| 8. Long Screw x 4 | 17. Warranty Card |
| 9. Flat Screw | |

Accessories

Model No.	Name		Details
GV-Mount100	Straight Tube and Junction Box Kit		Dimensions: 200 x 170 x 257.5 mm (7.9" x 6.7" x 10.1") Weight: 3.17 kg (6.99 lb)
GV-Mount101	Straight Tube Kit		Dimensions: 219 x 125 x 332 mm (8.6" x 4.9" x 13.1") Weight: 1.8 kg (3.97 lb)
GV-Mount200	Wall Pendant Mount		Dimensions: 225 x 140 x 250 mm (8.9" x 5.5" x 9.8") Weight: 900 g (1.98 lb)
GV-Mount203	Wall Mount and Junction Box		Dimensions: 315 x 195.5 x 225 mm (12.4" x 7.7" x 8.9") Weight: 2.95 kg (6.5 lb)

GV-Mount206	Wall Box Mount		Dimensions: 126.5 x 211.3 x \varnothing 176.85 mm (5" x 8.3" x \varnothing 6.96") Weight: 0.93 kg / 2.06 lb
GV-Mount300-1	Convex Corner Adapter Kit		Dimensions: 238.6 x 395.2 x 210 mm (9.4" x 15.5" x 8.2") Weight: 4.27 kg (9.41 lb)
GV-Mount310-1	Concave Corner Adapter Kit		Dimensions: 111.2 x 369.9 x 210 mm (4.37" x 14.5" x 8.2") Weight: 2.96 kg (6.53 lb)
GV-Mount400-1	Pole Mount Bracket Kit (\varnothing 4" ~ 6")		Dimensions: Bracket: 68.4 x 240 x 163 mm (2.69" x 9.44" x 6.41") Weight: 1.70 kg (3.75 lb) Steel Strap Diameter: \varnothing 4" ~ 6"
GV-Mount410-1	Pole Mount Bracket Kit (\varnothing 6" ~ 7.5")		Dimensions: Bracket: 68.4 x 240 x 163 mm (2.69" x 9.44" x 6.41") Weight: 1.70 kg (3.75 lb) Steel Strap Diameter: \varnothing 6" ~ 7.5"
GV-Mount702	Extension Tube		Four options are available. Dimensions: \varnothing 5.4 x 10 or 20 or 30 or 50 cm (\varnothing 2.1" x 3.9" or 7.9" or 11.8" or 19.7") Weight: 180 g or 390 g or 550 g or 800 g (0.4 lb or 0.86 lb or 1.21lb or 1.76 lb)
GV-Mount903-1	Dome Housing		Dimensions: \varnothing 185.5 x 165.3 mm (\varnothing 7.3" x 6.5") Weight: 900 g (1.98 lb)
GV-Mount909	Wall Mount Bracket		Dimensions: 170 x 150 x 110 mm (6.7" x 5.9" x 4.3") Weight: 610 g (1.34 lb)

GV-Mount914

In-Ceiling Mount



Dimensions: Ø 222 x 86 mm (Ø 8.74" x 3.39")
Weight: 705 g (1.55 lb)

GV-Relay V2



GV-Relay V2 is designed to expand the voltage load of GV IP devices. It provides 4 relay outputs, and each can be set as normally open (NO) or normally closed (NC) independently as per your requirement.

GV-POE Switch

GV-POE Switch is designed to provide power along with network connection for IP devices. The GV-POE Switch is available in various models with different numbers and types of ports.

Metal PG21

Conduit Connector



The metal PG21 conduit connector allows you to run the wires through a 3 / 4" conduit pipe.

Weatherproof
Shield



The weatherproof shield protects the camera from rain and snow.

Power Adapter

Contact our sales representatives for the countries and areas supported.