

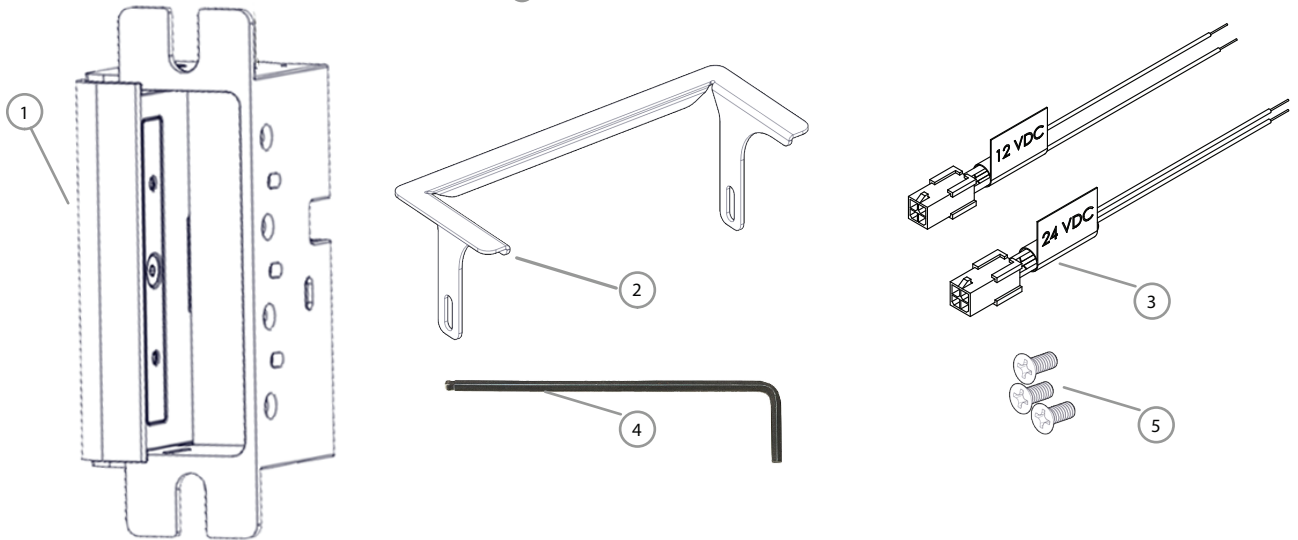
PLEASE
IMPORTANT
READ

IMPORTANT NOTE:
For the Schlage L9000 or Yale 8700 Series, please see Page 3 of instructions for installation with offset.

NOTE: Installation wiring for the product and wiring methods shall be in accordance with the National Electrical Code, ANSI/NFPA 70.

Product Components

- ① 1500 Series or 1600 Series Electric Strike
- ② Trim Enhancer
- ③ Pigtails (12 VDC and 24 VDC)
- ④ 5/64" Hex Wrench
- ⑤ #6-32 x 3/16" Phillips Head Screws to Mount Trim Enhancer



Specifications

ELECTRICAL RATINGS FOR 1500/1600 (Solenoid)	Solenoids are rated at +/- 10% indicated value. * Applies to AC Only: 10% max duty cycle (2 min. max on time)			
	12 VDC	24 VDC	12-16 VAC	24 VAC
VOLTAGE	12 VDC	24 VDC	12-16 VAC	24 VAC
CONTINUOUS DUTY	0.24A	0.12A	-	-
INTERMITTENT DUTY*	-	-	0.24-0.32A	0.12A

MINIMUM WIRE GAUGE REQUIREMENTS	VOLTAGE	
	12VDC	24VDC
200 feet or less	18 gauge	20 gauge
200 - 300 feet	16 gauge	18 gauge
300 - 400 feet	14 gauge	16 gauge

NOTE: The above table applies to Models 1500, 1500E, 1600, and 1600E.

ELECTRICAL RATINGS FOR 1500E/1600E (EcoStrike™)	Input voltage: 10-30 VDC, Autosensing			
	Minimum Activation Duration: 1 second			
VOLTAGE	10 VDC	12 VDC	24 VDC	30 VDC
IN RUSH CURRENT	0.475A	0.460A	0.220A	0.215A
CONTINUOUS DUTY	0.010A	0.009A	0.005A	0.004A

Models 1500E and 1600E: For Indoor Use Only
Models 1500 and 1600: For Outdoor Use

Ratings

Static Strength: 1,500 lbs
Dynamic Impact: 70 ft-lbs
Endurance: 250,000 cycles

UL294 Performance Levels

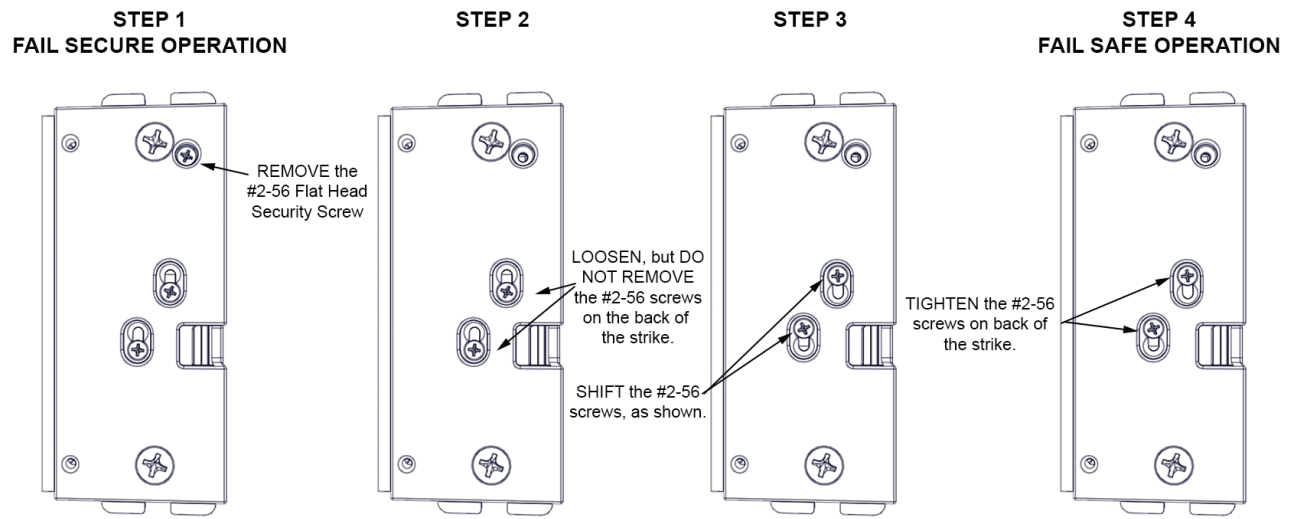
Destructive Attack: Level 1 (No attack test)
Line Security: Level I (No Line Security)
Endurance: Level IV (100,000 cycles)
Standby Power: Level I (No secondary power source)

Converting the Operation Mode

IMPORTANT NOTE: Converting the electric strike to FAIL SAFE mode negates the unit's fire rating.

NOTE 1: The 1500 and 1600 Series Electric Strikes ship configured for FAIL SECURE OPERATION. The steps below are provided to convert to FAIL SAFE OPERATION, if desired. The operation mode of the 1500E and 1600E (EcoStrike™) is set at the factory and cannot be changed.

NOTE 2: The suitability of the locks in the FAIL SECURE OPERATION mode is up to the local Authority Having Jurisdiction (AHJ) and emergency exit hardware may be required in such installations.



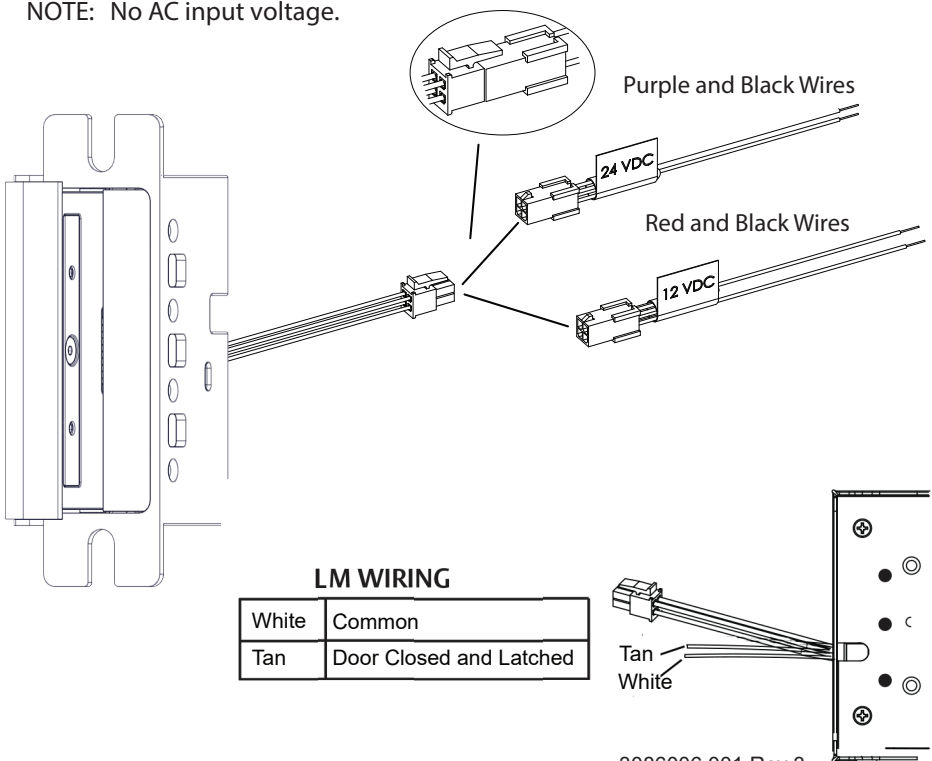
Connecting the Power

IMPORTANT NOTE: Before electrically connecting the device, the input voltage must be verified using a multimeter. Many power supplies and low voltage transformers operate at higher levels than listed. Any input voltage exceeding 10% of the electrical specification (see Page 1) may cause severe damage to the unit and will void the warranty.

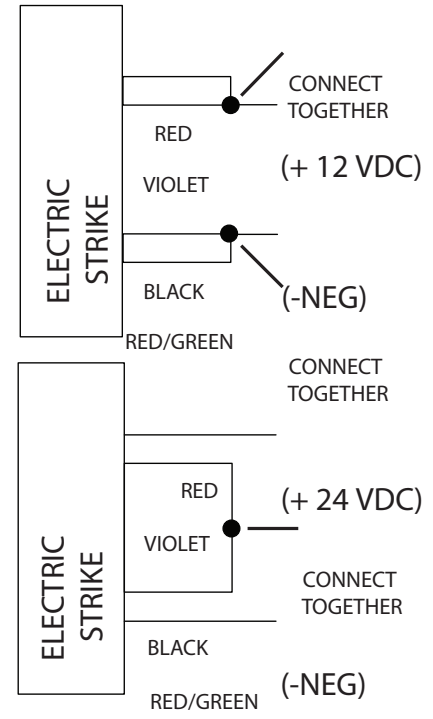
1500 or 1600: For 12 VAC, 12 VDC, or 16 VAC, USE the pigtail marked "12 VDC."
For 24 VAC or 24 VDC, USE the pigtail marked "24 VDC."

1500E or 1600E: For 10–30 VDC, ALWAYS USE the pigtail marked "12 VDC."

NOTE: No AC input voltage.



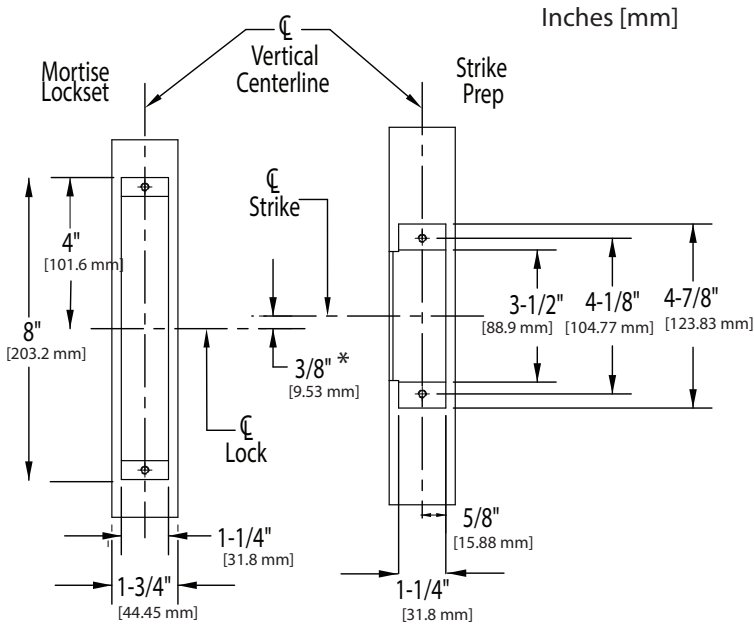
IF CONNECTOR IS MISSING



Preparing the Frame

MORTISE LOCKSETS

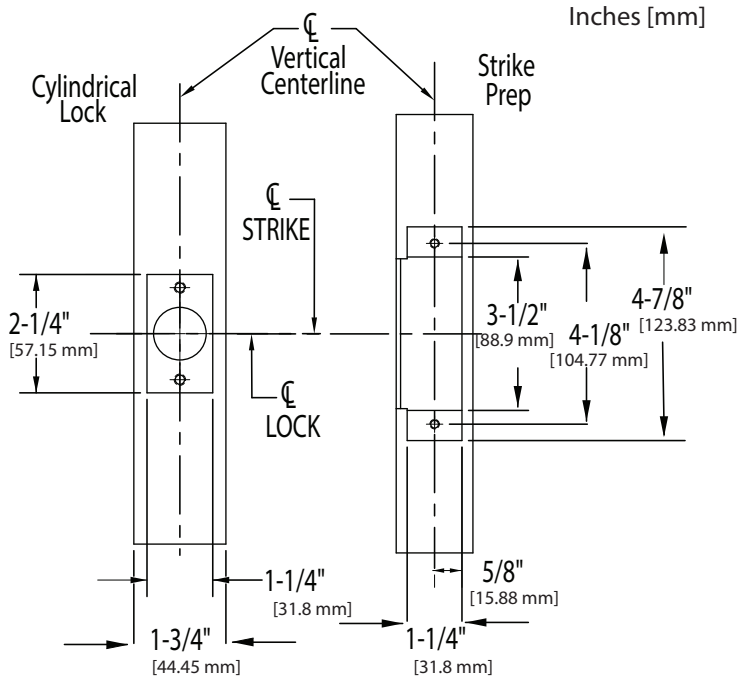
Please note the horizontal centerline of the electric strike in relation to the centerline of the mortise lockset.



* Can be Mortise lock and option specific. See figures below if using a Schlage L9000 or Yale 8700 series.

CYLINDRICAL LOCKSETS

Please note the horizontal centerline of the electric strike in relation to the centerline of the cylindrical lockset.



METAL JAMB DIMENSIONS FOR FACEPLATES

Please see Notes 2 & 3 for dimensions when using Lip Extensions

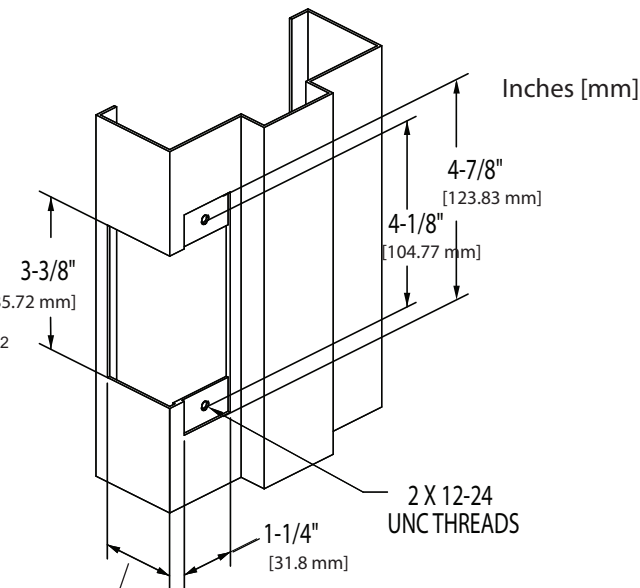
Normally Used With Mortise Locks Without Deadbolt

NOTE1: Cannot be used with Schlage L9000 or Yale 8700 series.

*NOTE2: Add 1/4" [6 mm] to this dimension when using a lip extension.

**NOTE3: Add 3/8" [9.5 mm] to this dimension when using a lip extension.

Cutout dimensions for option faceplates (metal jamb): 1J, 1KM, 1NM



1500 - 1-1/8" [28.58 mm] } **
1600 - 1-3/8" [34.93 mm] } See Note 3

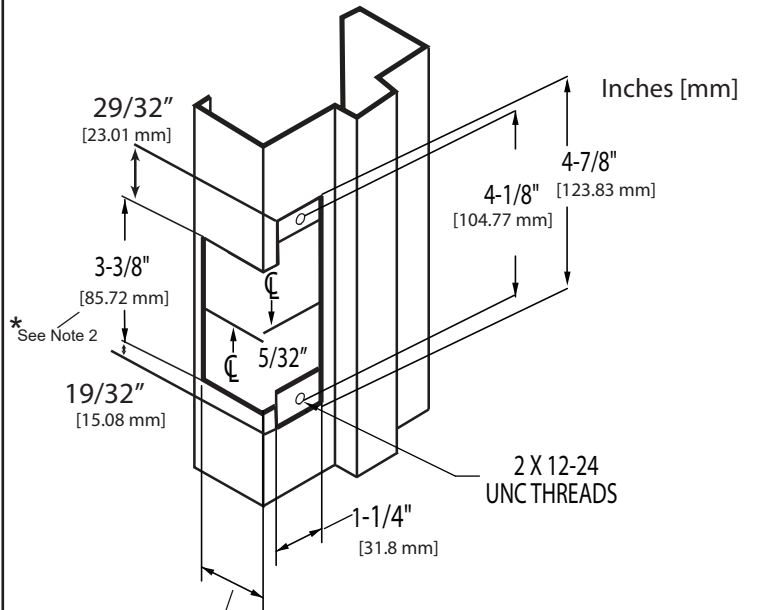
Normally Used With Mortise Locks With Deadbolt

NOTE1: Can be used with Schlage L9000 or Yale 8700 series.

*NOTE2: Add 1/4" [6 mm] to this dimension when using a lip extension.

**NOTE3: Add 3/8" [9.5 mm] to this dimension when using a lip extension.

Cutout dimensions for option faceplates (metal jamb): 1KD, 1ND, 1NTD



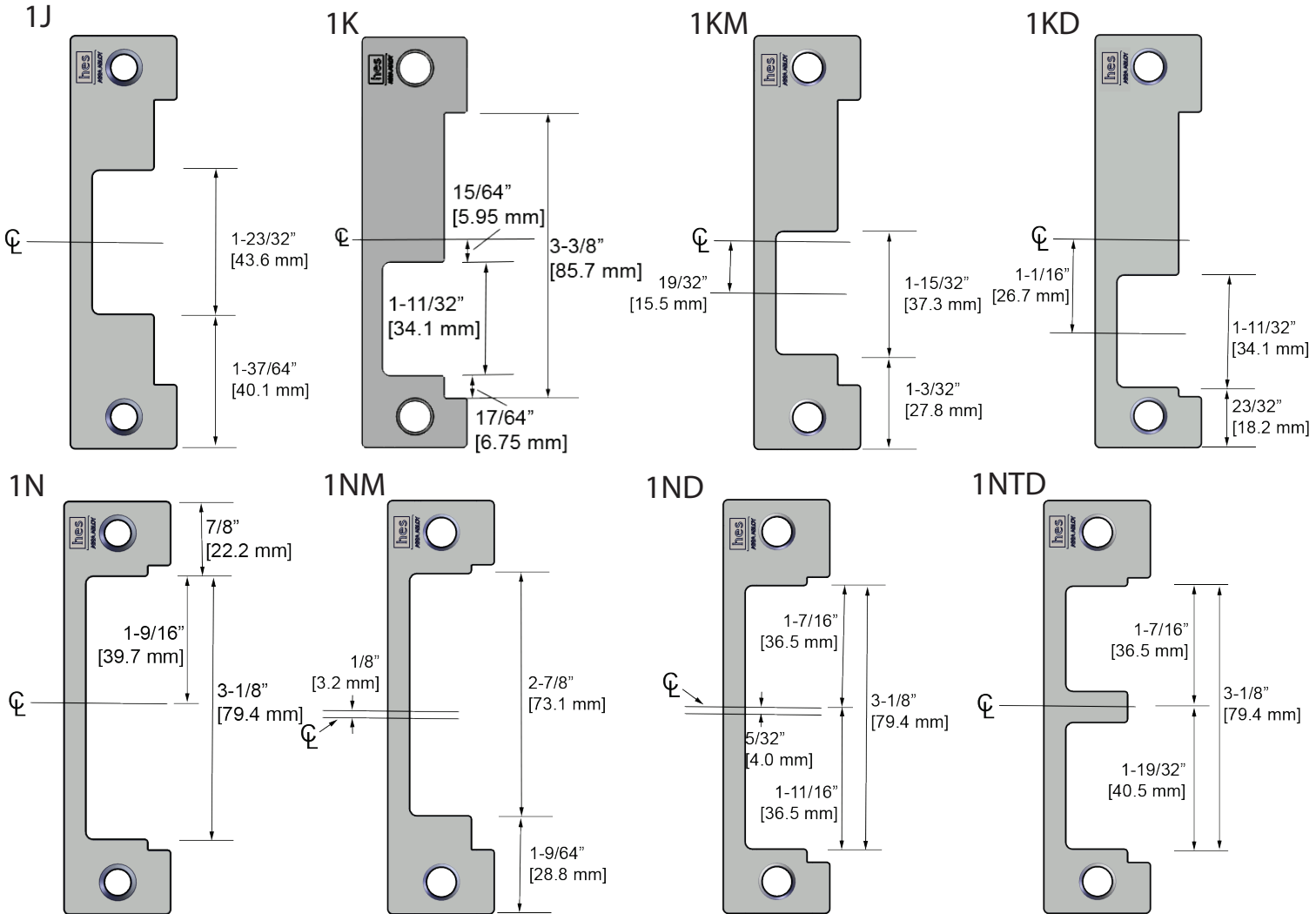
1500 - 1-1/8" [28.58 mm] } **
1600 - 1-3/8" [34.93 mm] } See Note 3

Selecting the Appropriate Faceplate Option

(4-7/8" x 1-1/4" Square Corner)

Frame prep
 ☒ = center line (2nd Line = centerline of faceplate opening)

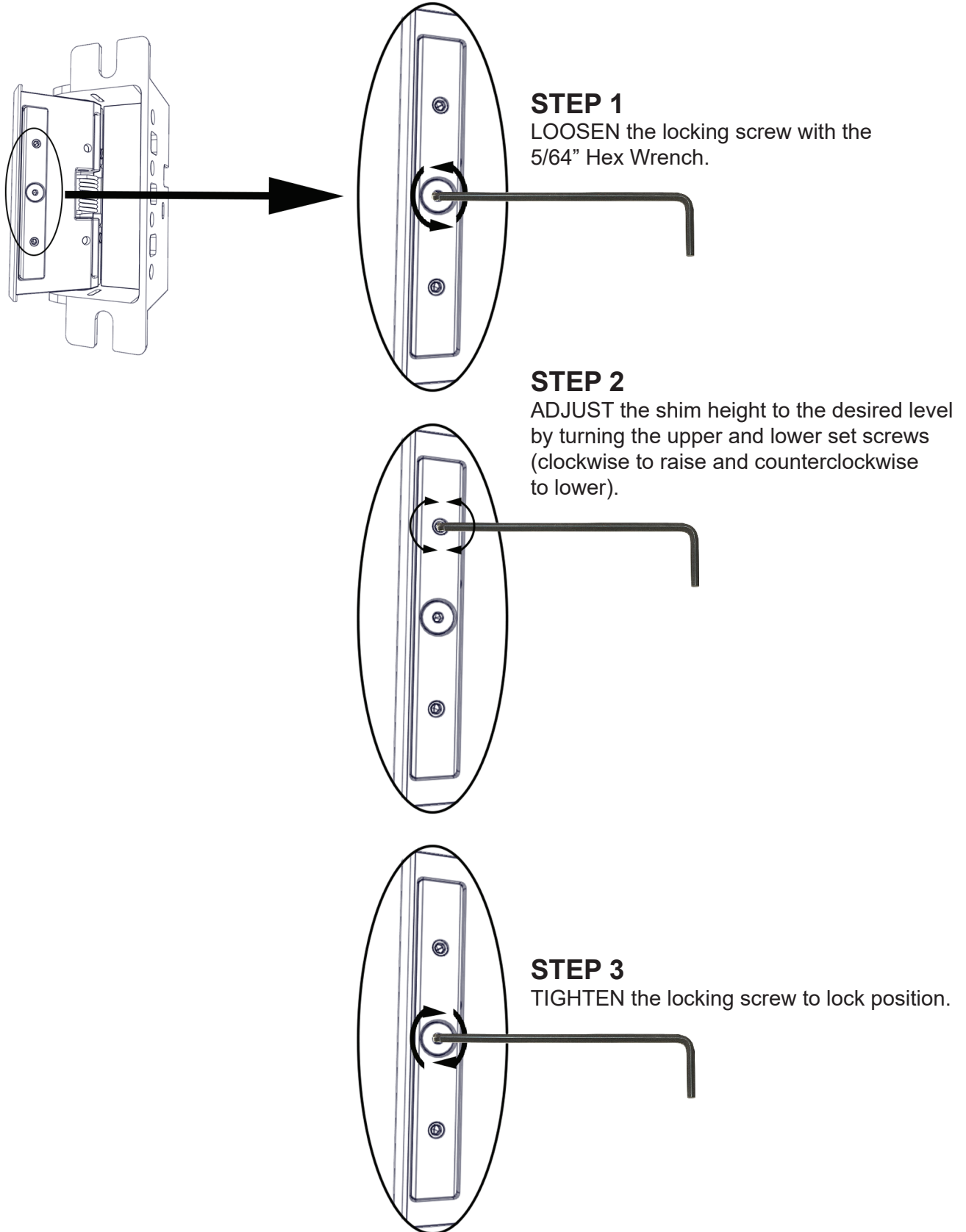
Inches [mm]



OPTION	DESCRIPTION	1500	1600
1J	For Use With: Cylindrical locksets with up to 3/4" throw and all locksets with center-lined bolts. Compatible With: All brands of cylindrical latchbolts	X	X
1K	For Use With: Mortise locksets with up to 3/4" throw latchbolt. Compatible With: Baldwin, Marks, PDQ	X	X
1KM	For Use With: Mortise locksets with up to 3/4" throw latchbolt. Compatible With: Accurate, Arrow, Best, Corbin Russwin, Falcon, Sargent (7800, 8200, and 9200), Yale (8800)	X	X
1KD	For Use With: Mortise locksets with up to 3/4" throw latchbolt. Compatible With: Dorma (9500), Jackson, Sargent (7700 and 8100), Schlage, Yale (8700)	X	X
1N	For Use With: Mortise locksets with deadbolt for night latch function only. Compatible With: Accurate, Baldwin, Marks, Omnia, PDQ, Schlage		X
1NM	For Use With: Mortise locksets with deadbolt for night latch function only. Compatible With: Accurate, Arrow, Baldwin, Best, Corbin Russwin, Falcon (45H, 47H, 34H, and 37H), Marks, PDQ, Sargent (7800, 8200, and 9200), Yale (8800)		X
1ND	For Use With: Mortise locksets with deadbolt for night latch function only. Compatible With: Sargent (7700 and 8100), Schlage, Yale (8700)		X
1NTD	For Use With: Mortise locksets with a normally extended 1" deadbolt and center-lined deadlatch. Compatible With: Accurate, Arrow, Baldwin, Marks, Omnia, PDQ, Schlage		X

Adjusting the Shim

NOTE: To adjust the shim height, it is necessary to power the electric strike to open keeper.





HES, Inc.
Phoenix, AZ
800-626-7590
www.hesinnovations.com