

Anti-Ram

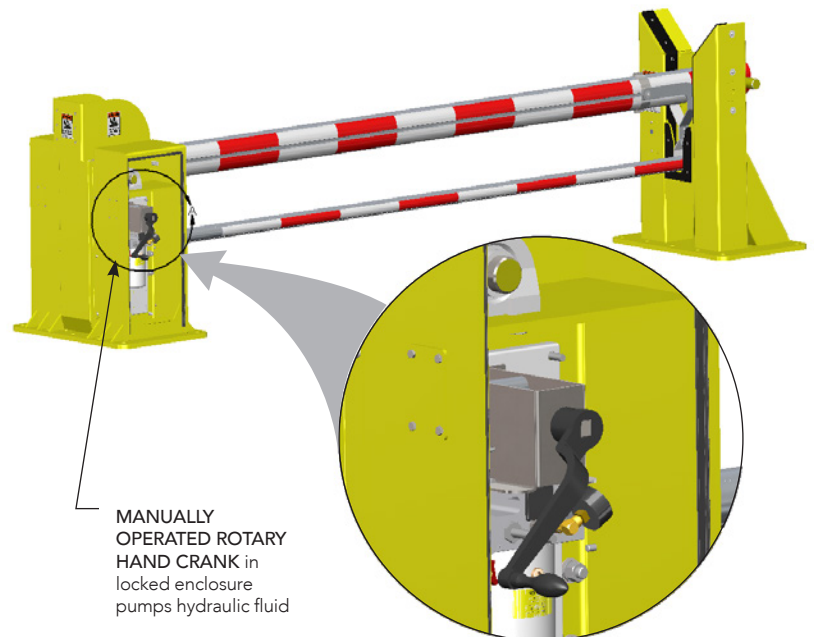
StrongArm CRASH™ NP



Manually Operated Anti-Ram Barrier Arm Operator

Manually operated StrongArm™ M30 & M50 NP models prove ideal for low cycle sites with no electrical power

- StrongArm M30 crash certified to ASTM F2656-07 M30, P1* penetrated less than 1 meter
- StrongArm M50 crash certified to ASTM F2656-07 M50, P2 penetrated less than 1.2 meter
- StrongArm M30 NP/M50 NP (No-power) models defend high security sites that do not have power.
- Manually operated rotary hand crank in locked enclosure pumps hydraulic fluid
- Unique dual arm design prevents a large truck or a small passenger vehicle from breaching the security perimeter
- Retro-fit motorized option if you choose to add power later
- Full 90° opening prevents tall vehicles from clipping arm



StrongArm M50 NP



Petrochemical



Law enforcement



StrongArm M30 NP

Anti-Ram Crash (No Power)



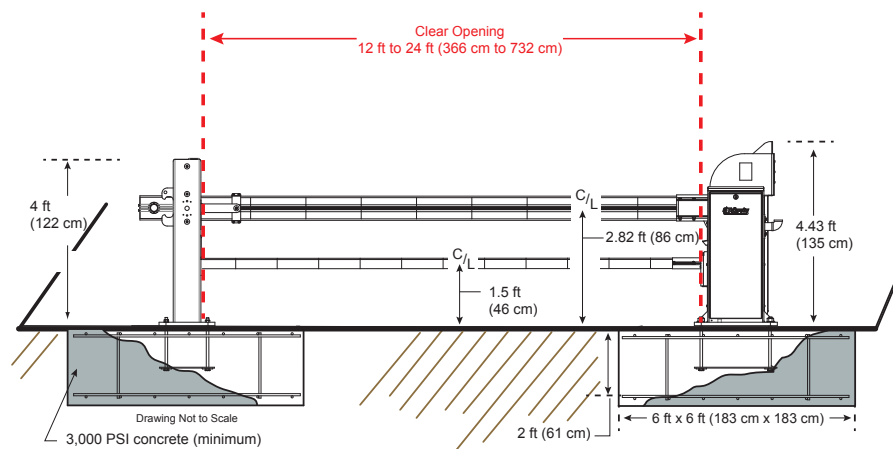
Anti-Ram Barrier Arm Operator (No Power)

HySecurity operators secure the world's critical infrastructure and key assets where ultimate reliability is vital. StrongArm M30/M50 NP delivers uncompromising quality to industrial and high security customers worldwide, where ease of use, consistent operation, low maintenance, long life and high reliability is expected.

StrongArm™ M30 NP and M50 NP

Model	StrongArm M30 NP	StrongArm M50 NP
Crash Certified	ASTM F2656-07 M30-P1*	ASTM F2656-07 M50-P2*
Duty Cycle	Manually operated	Manually operated
Open/Close Time	Open time: approx. 60 to 120 seconds depending on arm Close time: approx. 15 to 25 seconds depending on arm	Open time: approx. 60 to 120 seconds depending on arm Close time: approx. 15 to 25 seconds depending on arm
Clear Opening	12 to 24 ft in 2 ft increments (366 to 732 cm in 61 cm increments) Call for custom arm length	12 to 24 ft in 2 ft increments (366 to 732 cm in 61 cm increments) Call for custom arm length
Full Open Angle	Adjustable 90° ± 10°	Adjustable 90° ± 10°
Ingress Protection	IP56	IP56
Temperature Rating	-40° to 158° F (-40° to 70° C) or -10° to 158° F (-23° to 70° C) using biodegradable fluid.	-40° to 158° F (-40° to 70° C) or -10° to 158° F (-23° to 70° C) using biodegradable fluid.
Finish Type	Hot dipped galvanized standard. Optional textured yellow powder coat over zinc plating.	Hot dipped galvanized standard. Optional textured yellow powder coat over zinc plating.
Foundation	6 x 6 x 2 ft (183 x 183 x 61 cm) or 4 ft ³ (122 cm ³) 3,000 psi concrete, #5 rebar, grade 60	6 x 6 x 4 ft (183 x 183 x 122 cm) 4,000 psi concrete, #6 rebar, grade 60
Warranty	5 year	5 year

*Contact HySecurity to receive a copy of the ASTM F2656-07 M30/M50 Test Certifications. StrongArm M50 received a P2 rating with penetration limited to 1.17 meters.



StrongArm Manually Operated M30 operator, barrier arm, and foundation dimensions

OPTIONAL ACCESSORIES:

- Custom color - Signal Yellow, secondary traffic light, heater, mag lock

SYSTEM DESIGN SUPPORT: Contact HySecurity for CAD drawings, tech manuals, help with custom site requirements or other specifications support. Download operator specifications online at www.hysecurity.com or call to speak with a HySecurity representative today.

VISIT WWW.HYSECURITY.COM for specifications, installation manuals, wiring diagrams, parts diagrams, image gallery, videos, training and much more.

Distributed by: