



The Inovonics door/window with reed switch includes a built-in, side mounted magnetic reed switch, with a magnet that supports a 5/8" gap.

The door/window with reed switch is available in the following configurations:

Part Number	Check-In Time	Market
EN1210W	3 minutes	Security
EN1210W-60	60 minutes	Senior living

Product Features

Contains wired input and magnetic reed switch input

Fully supervised

Includes case tamper protection

Product Specifications

Dimensions:	3.5" x 1.7" x 0.9" (8.9 x 4.3 x 2.3 cm)
Weight:	1.9 oz. (54 g)
Typical battery life:	3-5 years
Internal battery type:	Panasonic CR123A
Accessories:	ACC1210-10 beige housing 10 pack, ACC1210-WH-10PK white housing 10 pack
External contacts:	Normally open or normally closed
External contact cabling requirements:	14-22 gauge wire, unshielded
Distance, external contact to transmitter:	10' (3 m) maximum
Distance, magnet to internal contact magnetic reed switch:	5/8" (1.6 cm)
Operating environment:	
Temperature:	-4 to 140°F (-20 to 60°C)
Humidity:	Up to 90% (non-condensing)
Market:	North America, Australia, New Zealand
EchoStream® frequency:	902-928 MHz, frequency hopping spread spectrum
Check-in time frequency:	EN1210W: 3 minutes; EN1210W-60: 60 minutes
Regulatory compliance:	EN1210W: FCC, ISSED, RCM, RoHS; EN1210W-60: FCC, RoHS, UL 2560 ¹

Reference Materials (available at www.inovonics.com)

EN1210W Family Door/Window with Reed Switch Installation Instructions

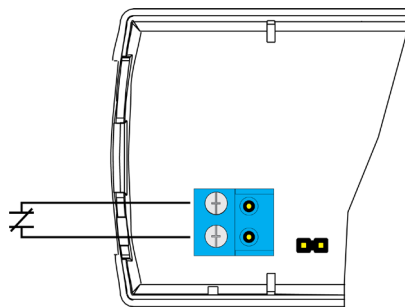
EchoStream Developer Guide

EchoStream One-Way Security Developer Guide

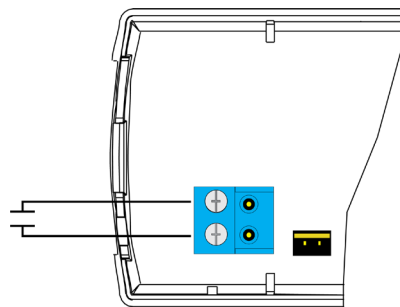
Inovonics Product Catalog: North America

- The range and performance of any wireless product depends on the structure and environment in which it operates.
 - Continual enhancements to our products may cause specifications to change without notice.
 - Patents: 7,154,866; 7,554,932; 7,746,804; others pending.
 - Inovonics supports recycling and reuse whenever possible. Please recycle these parts using a certified electronics recycler.
- ¹ Partners must achieve emergency call system certification from a nationally recognized testing laboratory to claim compliance with UL 2560. The EN1210W-60 is a supplemental device that is allowed for use in a UL 2560 certified system, but does not carry the UL 2560 unlisted component certification.

Inputs



Normally closed



Normally open

Technical documents

For technical documents visit us at <http://www.inovonics.com/support/tech-documents/> or use the QR code below.



Mounting plate



The transmitter mounting plate hinges to the transmitter. Just mount the plate and snap the transmitter in place.