

- Reads QR codes
- Fast Decoding
- Programmable formatting options allow you to choose which data to read from the barcode and how to transmit it
- Available with a 2x16 lcd display readable in direct sunlight
- 8-24Vdc operation
- Optional Relay
- Optional digital inputs for door sensing or an arming loop
- Optional RF (prox, Iclass, Mifare) including IBC Ec1 support
- Optional Bluetooth
- Available in large or small enclosure.



Qscan is the perfect outdoor reader to read print-at-home event tickets, driver's licenses, and even qr codes from smartphone displays.

Qscan reads over 30 barcode sybologies, including Code39, Interleaved 2 of 5, PDF417, Datamatrix, Aztec, and QR.

Proximity, iClass®, Mifare, and Bluetooth are available as optional add-ons.

Options:

125K proximity
13.5 Mhz iclass, mifare
Bluetooth

Relay
Sense inputs

Interfaces:

Wiegand
Rs232
Aba
Tcp/ip

F2f
Wand emulation
Hid 5352 serial

Specifications

Barcode Read Range:	3"-18" depending on size of barcode
Symbologies (1D):	Code 39, I 2 of 5, 2 of 5, 5, Code 128, Codabar, Ean8, Ean13, Jan8, Jan13, Upce, Upca, M2of5, K3of5, Postnet, Postbar, Kix, Planet, Msi, Code11, Code93
Symbologies (2D):	Pdf417, QR, Aztec, Datamatrix
Interfaces:	Wiegand, up to 250 bits, aba, f2f, wand, Rs232, TCP / IP, Hid 5352
RF (optional, option H):	125khz prox (Ibc,Hid,Awid,Casi,Farpointe,EM)
RF (optional, option I):	13Mhz (Iclass, Iclass SE, Iclass SR, Mifare CSN)
RF (optional, option B):	125khz prox (Hid,Awid,Indala',EM¹), 13Mhz (Iclass, Iclass SE, Iclass SR, Mifare CSN)
Relay (optional):	Form C, 500ma max
Display (optional):	LCD, 2 lines by 16 characters, viewable in direct sunlight
Digital Inputs (optional):	2, one may be programmed for an arming loop
Tcp/ip:	10/100 autodetect
Power Consumption:	300ma max, 200ma typical @12vdc, Acceptable supply voltage 8-24vdc
Material:	Black polycarbonate
Dimensions:	6.4" L x 4.4" W x 2" H , Flange 8" L x 4.7" W
Weight:	1 lb.
Outdoor Rating:	IP65
Mounting:	Front Side Flange
Indicators:	2 programmable LEDs
Temperature:	-40°C to +85°C
Standard Wiring (Fixed):	3ft (91.5cm) cable with DB9 female (RS232), flying leads (wiegand, aba, wand, f2f) or RJ45 (TCP / IP)
Bluetooth:	BLE 4.0 compatible with ibcENTRY app, iphone only. Available only with wiegand (G) output²

¹Must be specified at time of order

²Bluetooth not available in smaller case

Specifications Subject to change without notice

Wiring

Wiring Connections for various Interfaces.

Rs232 Interface

Red	+VDC
Blue	GND
Green	Reader Transmit
Yellow	Reader Receive

Wiegand / ABA / Wand Interface / 5v F2F (readers without BLE)

Red	+VDC
Blue	GND
White	Data 1 / Mag Data / Wand /f2f
Green	Data 0 / Mag Clock
Orange	Green LED
Yellow	Bi-color LED

Wiegand (readers with BLE) - see notes on right

Red	+VDC
Blue	GND
White	Barcode/RF Data 1
Brown	Bluetooth Data 1
Green	Data 0
Orange	Green LED
Yellow	Bi-color LED
Black	Used for flash updates only

12v F2F

Red	+VDC
Blue	GND
White	Reserved
Green	Reserved
Orange	Green LED
Yellow	Bi-color LED
Brown	F2F

Relay Wiring (All Readers)

Yellow	Normally Closed
Green	Normally Open
Red	Common

Sense Input Wiring

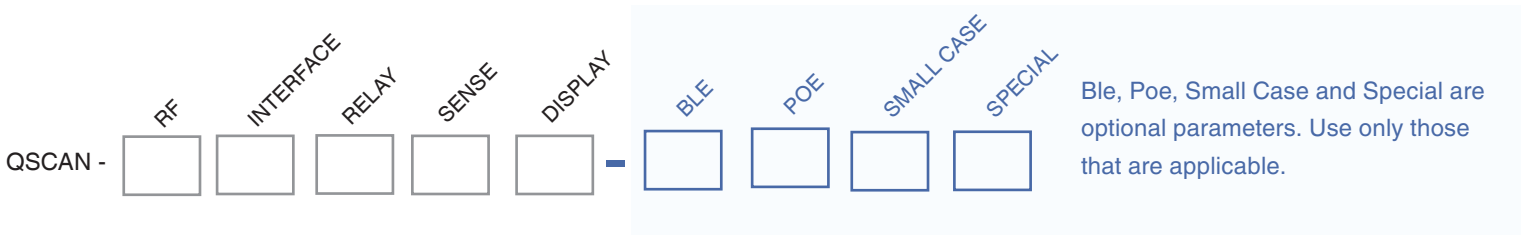
Yellow	Sense Input 1 or Arming Loop
Orange	Sense Input 2

TCP

RJ45 Plug

Special note for wiegand output readers that also contain the BLE option:

In order to provide easy flash updates, readers that contain the Bluetooth option have 2 additional wires. For normal operation the white and brown wires are connected together. They are separated to provide flash updating and programming capability.



RF

No RF - 0
 IBC,Hid, Farpointe,Awid,Casi, EM Prox – H⁶
 Iclass- I³
 Iclass³ & Hid,Awid,EM⁹,Indala^{5,9} Prox - B¹³
 Mifare CSN– M⁷
 Indala - D⁵

INTERFACE¹

Rs232 – S
 TCP / IP – C¹³
 Wiegand/aba/wand/f2f(5v) - G
 F2F(12v) - F
 USB Serial - U¹¹

RELAY⁴

No Relay – 0
 Relay - R

SENSE INPUTS²

No Sense Inputs - 0
 Sense Inputs - S

DISPLAY

No Display - 0
 Display - D

BLE (Bluetooth)¹⁰

No Bluetooth - leave blank
 Bluetooth - B

POE¹²

No POE - leave blank
 POE - P

SMALL CASE

No - leave blank
 S - Small Case

SPECIAL

Special IS used for custom configurations for which IBC has assigned you a number.

¹For Hid 5352 serial emulation order RS232

²For Armed Loop use, order Sense Inputs

Sense inputs available as an option only with RS232 or TCP interfaces. Sense inputs are standard with wiegand interface units (code G).

³HID Application Area PACS data from Iclass, Iclass SE, Iclass SR, Iclass SEOS

⁴Relay available only with RS232 or TCP interfaces

⁵Indala 26 bit

⁶Casi support Proxlite 40 bit. EM support 32 bit or 40 bit. Not all formats supported. Contact IBC for more information.

⁷Mifare CSN only.

⁸Default Angle is 5 degrees

⁹Must be specified at time of order.

¹⁰Bluetooth available with wiegand interface only. Use requires subscription to ibcENTRY app.

¹¹Minimum quantity required.

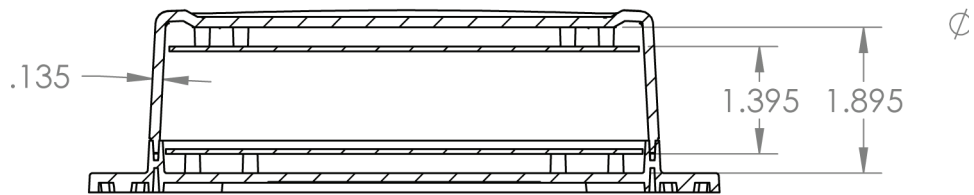
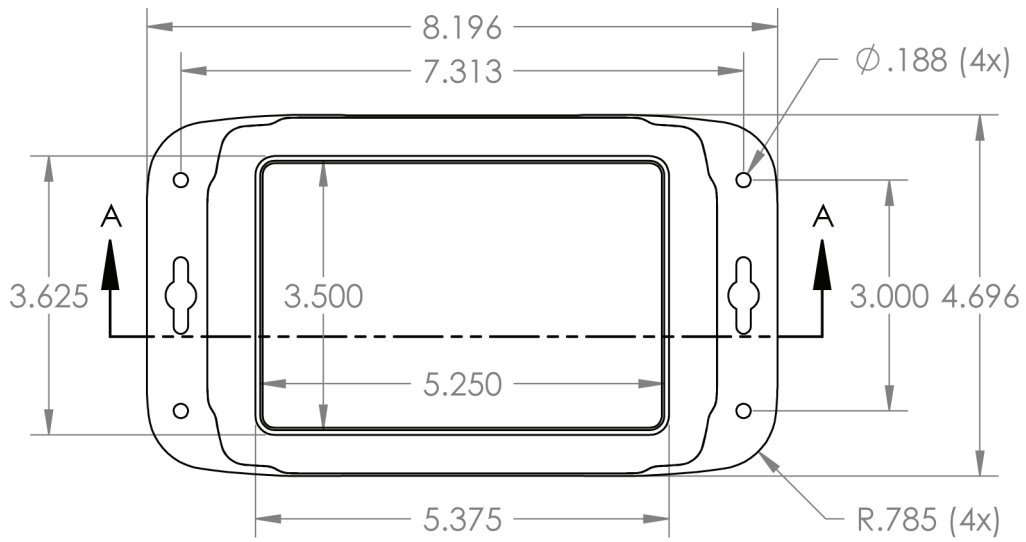
¹²Available with TCP interface only.

¹³Option not available in small case.

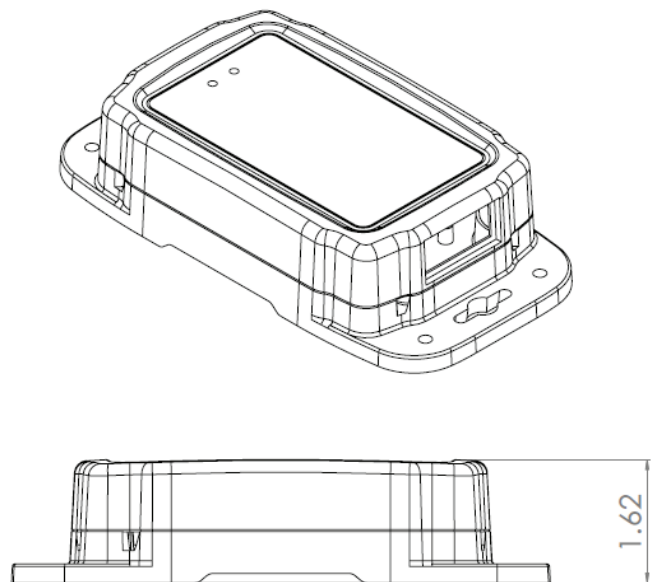
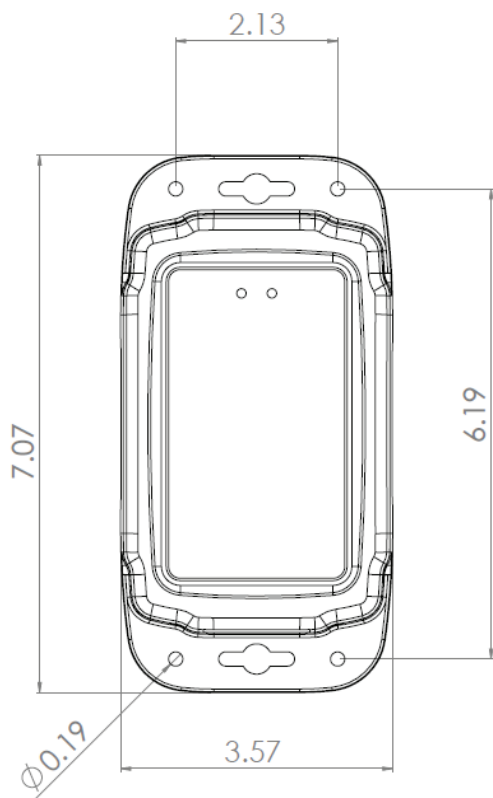
EXAMPLES:

QSCAN-0G000
 QSCAN-HCR00
 QSCAN-BG000
 QSCAN-0G000-S

Qscan with wiegand interface
 Qscan with 125K prox,tcp interface, relay
 Qscan with 125K prox and 13.5mhz iclass, wiegand interface
 Qscan with 125K prox in small enclosure



Dimensional Diagrams - Small Enclosure



Notes for Ordering Qscan

POWER

Qscan readers are powered by 12Vdc. You can use your own power source or request an AC adapter from IBC when ordering.

WIRING

Standard wiring for Qscan readers with wiegand, aba, wand, or f2f is a 3' cable containing all data wires and power wires.

Standard wiring for RS232 readers is a 3' cable with a DB9 female connector. The pin-out is a direct connect to a pc. Connected to the DB9 connector is a short power pigtail for applying power or connecting an ac adapter.

Standard wiring for Qscan readers with tcp/ip is a 3' cable with an rj45 plug.

RF

Qscan can be ordered with embedded proximity to read Ibc, Hid, Awid, and Farpointe cards. Qscan can also be ordered with

embedded 13mhz support to read either Hid Iclass cards or cards which support PIV-II applications (Cac, Twic, etc..) Qscan can be ordered to support both 125k and 13.5 mhz (option "B") however that option is not available in the small enclosure.

SENSE INPUTS

2 digital inputs may optionally be ordered. The digital inputs can be used for a door sense or gate sense, or for an arming loop to enable/disable reading.

RELAY

The optional relay is a form C relay and has a separate wire exiting the rear of the reader containing the isolated relay lines.

DISPLAY

The optional 2 line x 16 character display is an IBC proprietary FSTN LCD display, and is able to be read in direct sunlight and at wide angles.

BLUETOOTH

Bluetooth can be ordered as an option only on readers ordered with a wiegand output. Not all configurations are possible with the Bluetooth option. Contact IBC for more information.

TCP

TCP is not available in the small housing.

For custom wiring or firmware contact IBC.