

# L1000 Series

## Mechanical Features

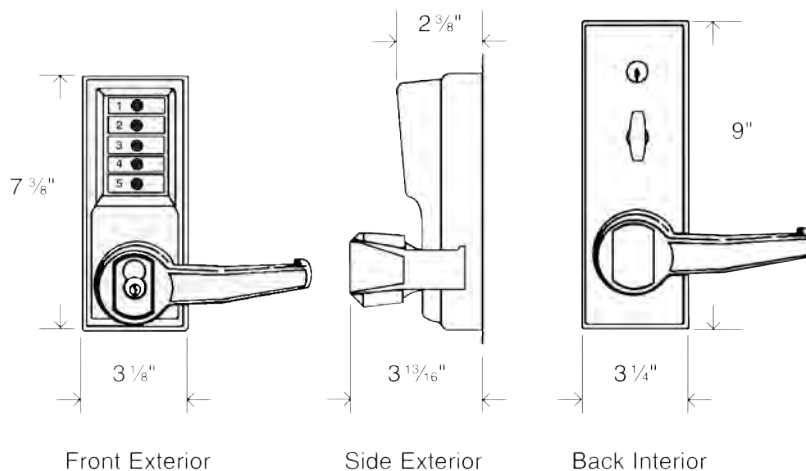
- Construction: Heavy-duty cylindrical lock housing with cast front housing; brass unified trim plate; fixed cast ADA compliant levers
- Installation: ASA 161 door preparation with additional through bore holes required: (1) 1" (25mm) diameter for combination change, (2) 1/4" (6mm) for mounting lock, and (1) 1" (25mm) diameter for optional passage feature; (1) 1" (25 mm) diameter cross bore for latch.
- Door handing: Factory-handed; not field reversible
- Numeric pushbuttons: Vandal resistant, 5 button, anodized aluminum, mechanical
- Weight: 8.25 lbs. (3.7 kg)
- Strike: Standard strike plate; ASA strike plate; strike box
- Backset: 2-3/4" (70 mm)
- Key override: Compatible with major manufacturers of removable cores: ASSA, Best and Compatibles (6 or 7-pin length), Corbin / Russwin, Medeco /Yale (6-pin length), Sargent, Schlage
- Door thickness: 1-3/8" (35 mm) to 2-1/4" (57 mm)
- Control: DF59 keys for combination change; DF5 keys for passage feature
- Minimum stile requirement: 5" (127 mm)

## Lock Operation

- Combination code: One code per lock made of any combination of one to five numbers (pressed individually or simultaneously)
- Code: Thousands of possible combinations
- Emergency access: Optional mechanical key override

## Certification and Testing

- Accessibility standard: Americans with Disabilities Act (ADA)
- Fire rating: Three-hour UL/ ULC Fire rating for "A" label doors
- Environmental operating conditions: Highly weather resistant
- Durability: Conforms to ANSI 156.2, Grade 1 ; Compliance with D.O.D. 5220.22M
- Warranty: 1 year



## Stocking Part #'s

- LL1011-26D-41
- LR1011-26D-41 (combination entry)

IC Cores are not included with locks

- LL1021B-03-41
- LR1021B-03-41
- LL1021B-26D-41
- LR1021B-26D-41 (combination entry w/key override, Best 6 or 7 pin)

- LL1021C-03-41
- LR1021C-03-41
- LL1021C-26D-41
- LR1021C-26D-41 (combination entry w/key override, Corbin/Russwin)

- LL1021M-03-41
- LR1021M-03-41
- LL1021M-26D-41
- LR1021M-26D-41 (combination entry w/key override, Medeco/Yale 6 pin)

- LL1021R-03-41
- LR1021R-03-41
- LL1021R-26D-41
- LR1021R-26D-41 (combination entry w/key override, Sargent)

- LL1021S-03-41
- LR1021S-03-41
- LL1021S-26D-41
- LR1021S-26D-41 (combination entry w/key override, Schlage)

- LL1041R-26D-41
- LR1041R-26D-41 (combination entry w/key override / passage mode, Sargent)

## • Finishes:

**Bright Brass 03 (605)**  
**Satin Chrome 26D (626)**