

PROPRIETARY AND CONFIDENTIAL
 THE INFORMATION CONTAINED IN THIS
 DRAWING IS THE SOLE PROPERTY OF
 LARSON ELECTRONICS LLC. ANY
 REPRODUCTION IN PART OR AS A WHOLE
 WITHOUT THE WRITTEN PERMISSION OF
 LARSON ELECTRONICS LLC IS
 PROHIBITED.

DIMENSIONS ARE IN INCHES		DRAWN	NAME
MATERIAL		CHECKED	CHRIS THAUER
DO NOT SCALE DRAWING			JEREMY BLANKENSHIP

TITLE:			
ATEX-EXPCMR-IP-POE-2MP- IR-108D			
SIZE	DWG. NO.	REV	
A			
SCALE: 1:3		SHEET 1 OF 2	

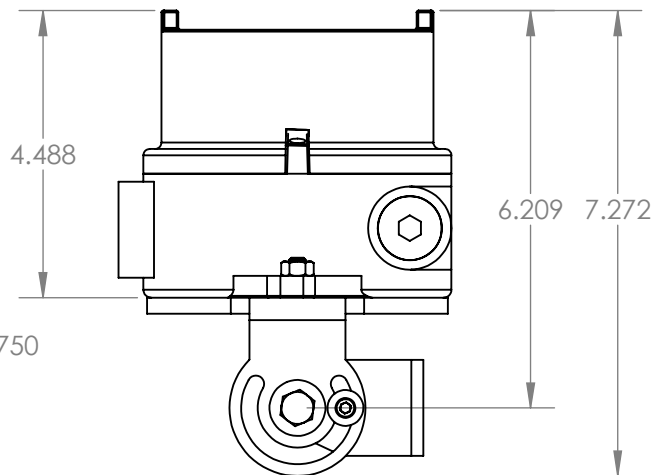
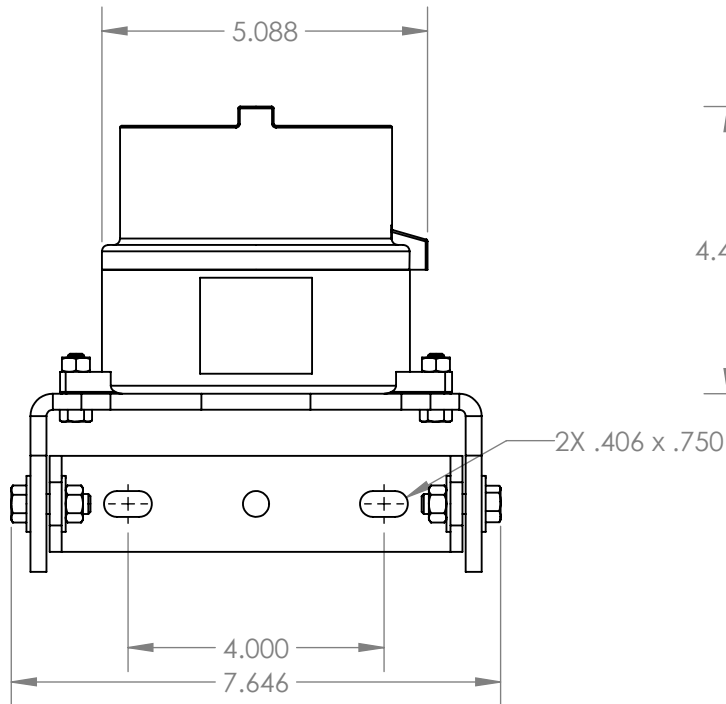
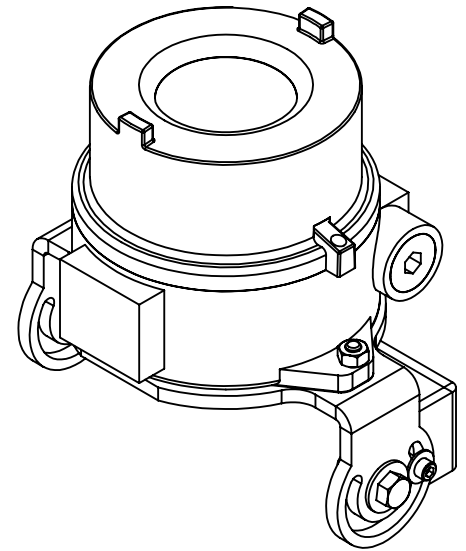
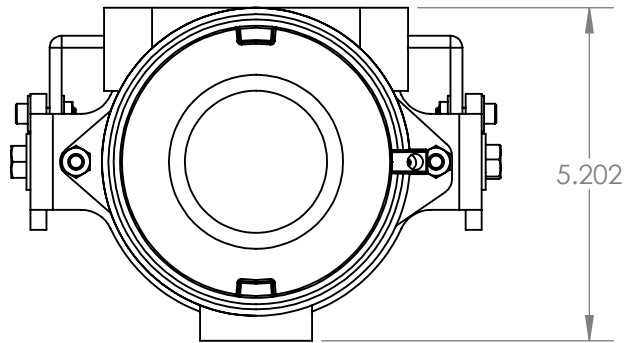
5

4

3

2

1



PROPRIETARY AND CONFIDENTIAL
 THE INFORMATION CONTAINED IN THIS
 DRAWING IS THE SOLE PROPERTY OF
 LARSON ELECTRONICS LLC. ANY
 REPRODUCTION IN PART OR AS A WHOLE
 WITHOUT THE WRITTEN PERMISSION OF
 LARSON ELECTRONICS LLC IS
 PROHIBITED.

TITLE:
**ATEX-EXPCMR-IP-POE-2MP-
 IR-108D**

DIMENSIONS ARE IN INCHES		DRAWN	CHRIS THAUER	SIZE A	DWG. NO.	REV
MATERIAL		CHECKED	JEREMY BLANKENSHIP			
DO NOT SCALE DRAWING				SCALE: 1:3		SHEET 2 OF 2

5

4

3

2

1