

PROPRIETARY AND CONFIDENTIAL
 THE INFORMATION CONTAINED IN THIS DRAWING IS THE SOLE PROPERTY OF LARSON ELECTRONICS LLC. ANY REPRODUCTION IN PART OR AS A WHOLE WITHOUT THE WRITTEN PERMISSION OF LARSON ELECTRONICS LLC IS PROHIBITED.

DIMENSIONS ARE IN INCHES		DRAWN	NAME
MATERIAL		CHECKED	CHRIS THAUER
DO NOT SCALE DRAWING			JEREMY BLANKENSHIP

TITLE:			
ATEX-EXPCMR-IP- POE-4MP-IR			
SIZE	DWG. NO.	REV	
A			
SCALE: 1:3		SHEET 1 OF 2	

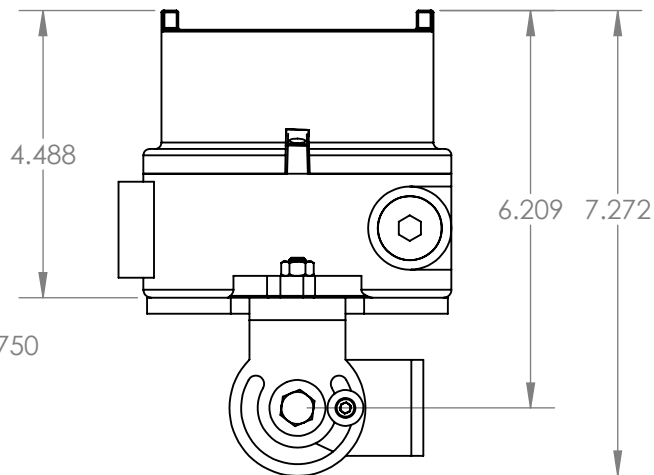
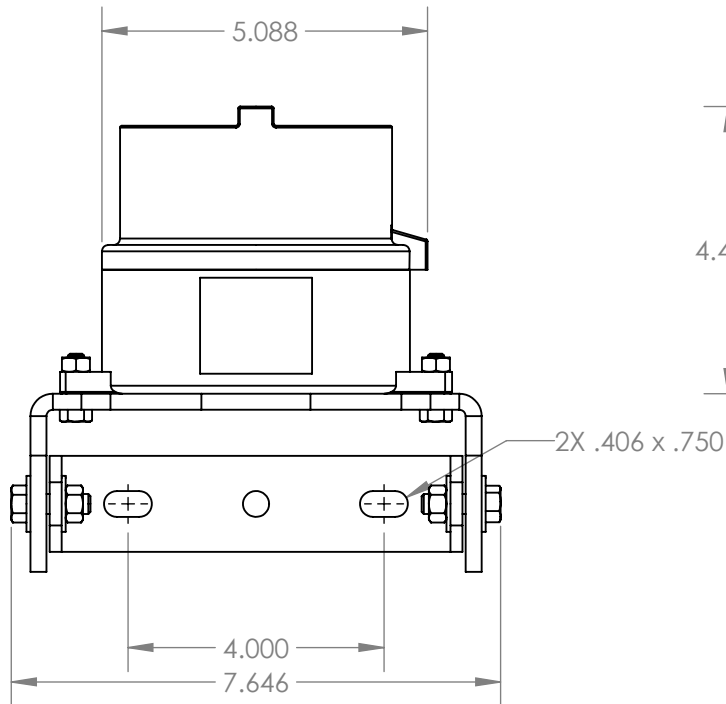
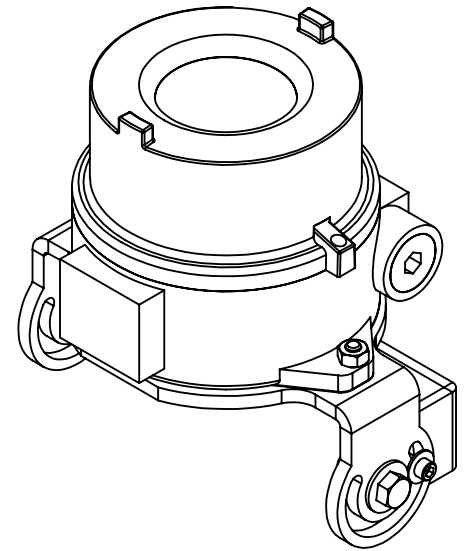
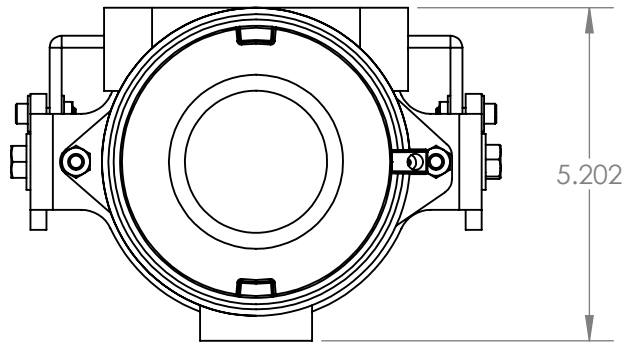
5

4

3

2

1



PROPRIETARY AND CONFIDENTIAL
 THE INFORMATION CONTAINED IN THIS DRAWING IS THE SOLE PROPERTY OF LARSON ELECTRONICS LLC. ANY REPRODUCTION IN PART OR AS A WHOLE WITHOUT THE WRITTEN PERMISSION OF LARSON ELECTRONICS LLC IS PROHIBITED.

TITLE:				
ATEX-EXPCMR-IP- POE-4MP-IR				
DIMENSIONS ARE IN INCHES	DRAWN	NAME	SIZE	DWG. NO.
MATERIAL	CHECKED	CHRIS THAUER	A	REV
DO NOT SCALE DRAWING		JEREMY BLANKENSHIP		
			SCALE: 1:3	SHEET 2 OF 2

5

4

3

2

1