

6

5

4

3

2

1

F

F

E

E

D

D

C

C

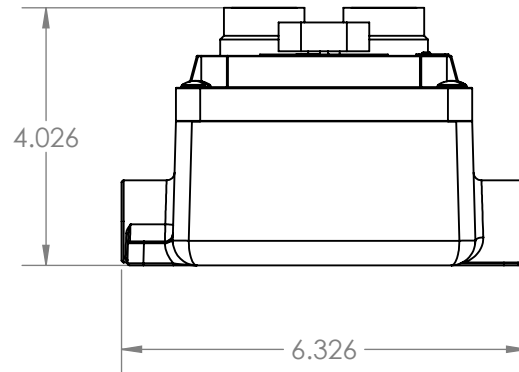
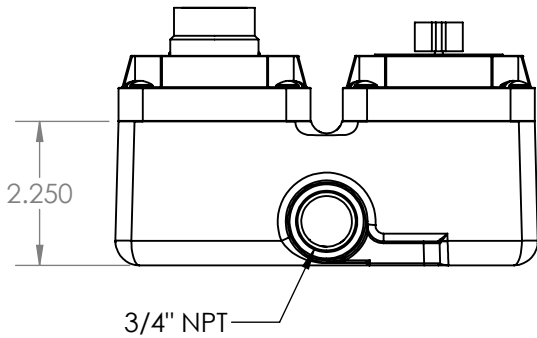
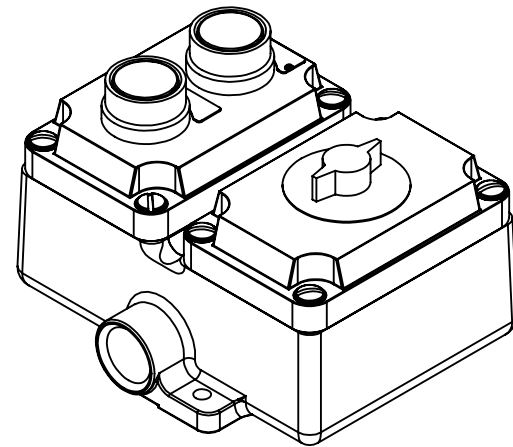
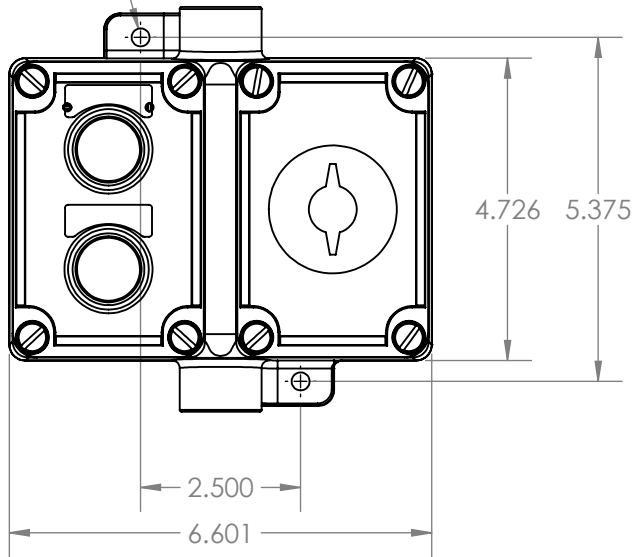
B

B

A

A

2X Ø .281



TITLE:  
**EPCS-2XPB.MS-24V-PTM.2K**

**PROPRIETARY AND CONFIDENTIAL**  
THE INFORMATION CONTAINED IN THIS DRAWING IS THE SOLE PROPERTY OF LARSON ELECTRONICS LLC. ANY REPRODUCTION IN PART OR AS A WHOLE WITHOUT THE WRITTEN PERMISSION OF LARSON ELECTRONICS LLC IS PROHIBITED.

UNLESS OTHERWISE NOTED:  
Angle +/- .5 deg  
.X +/- .02  
.XX +/- .01  
.XXX +/- .005

FINISH		NAME	
SURFACE AREA [sq. in]		DRAWN	CHRISTOPHER THAUER
DIMENSIONS ARE IN INCHES		CHECKED	N/A
MATERIAL		DATE	9/30/2021
DO NOT SCALE DRAWING			

SIZE	DWG. NO.	REV
<b>A</b>		
SCALE: NTS		SHEET 1 OF 1

6

5

4

3

2

1