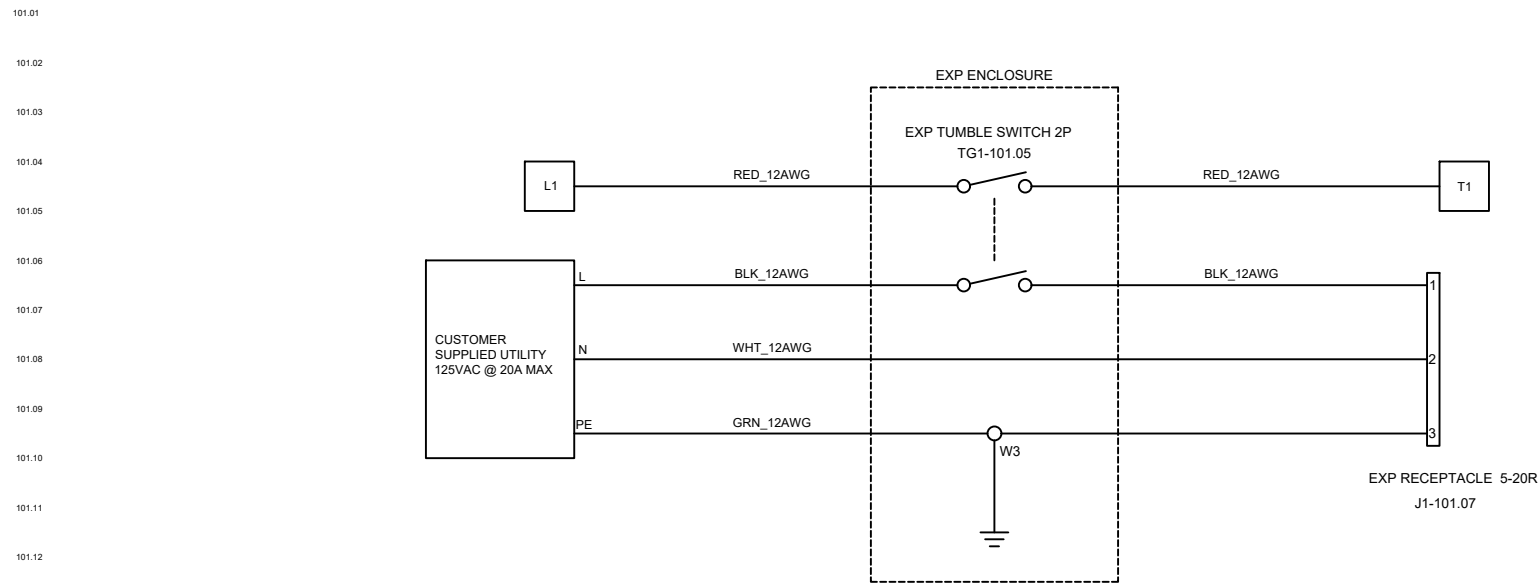


REV	DESCRIPTION	DATE
A	PRODUCTION RELEASE	12/07/2021

**EPCS-TSW.20A-EPO.20A-DE-0.75IN-125V**





TAGS	QTY	CATALOG	DESCRIPTION
J1-101.07	1	UNV00005394	EXP PROOF RECEPTACLE WITH HING COVER 5-20R, 125V
TG1-101.05	1	UNV00012797	EXP TUMBLE SWITCH 20A 2P
W3	1	UNV00011954	3 HOLE WAGO

 <b>LARSON ELECTRONICS</b> 9419 E US HWY 175, KEMP, TX 75143	TITLE EPCS-TSW.20A-EPO.20A-DE-0.75IN-125V		
	DRAWN BY K.NGUYEN	DATE 12/07/2021	REV A
	CHECKED BY R.BLACK	SHEET # 1 OF 1	DRAWING # 101