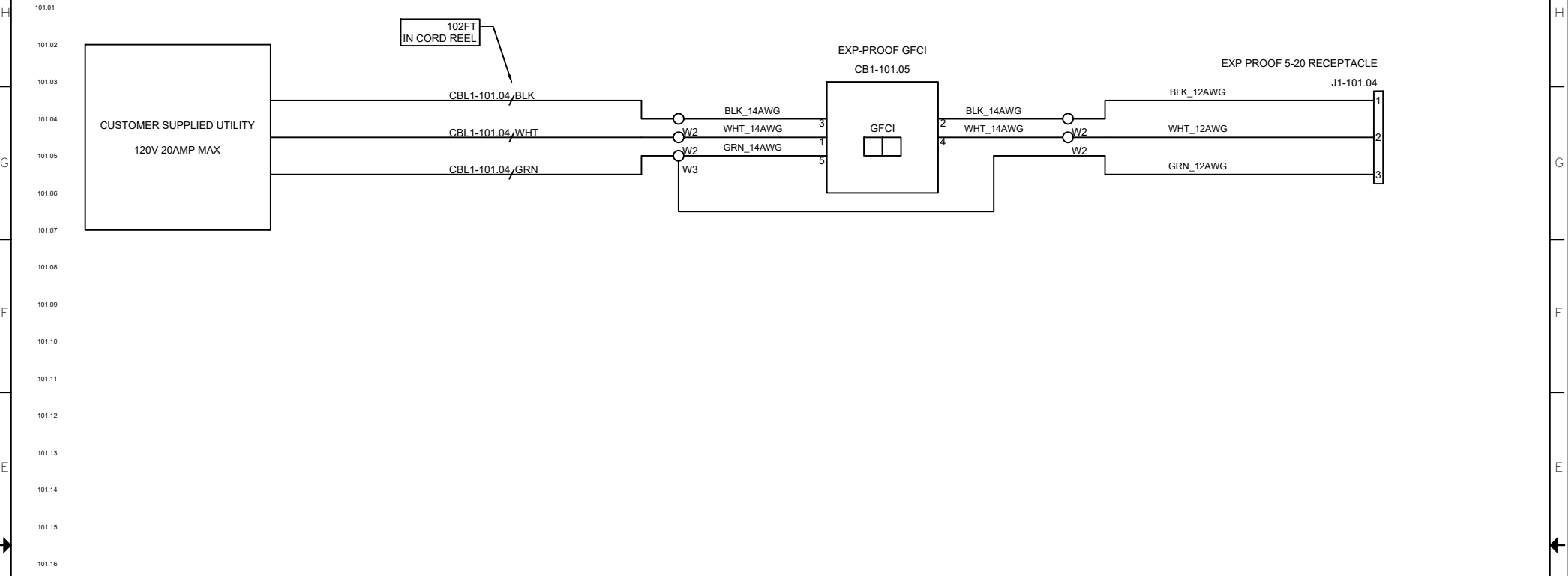


REV	DESCRIPTION	DATE
A	PRODUCTION RELEASE	03/09/2021


EPEXC-GFI-200-GR-12.3-100-2023-125V



8 7 6 5 4 3 2 1



TAGS	QTY	CATALOG	DESCRIPTION
J1-101.04	1	UNV00005394	EXP PROOF 5-20 RECEPTACLE
CB1-101.05	1	UNV00014767	GFCI, FT, 3/4", 120VAC, 20A
W2	4	UNV00004254	2-CONDUCTOR LEVER CLAMP WAGO
W3	1	UNV00011954	3-CONDUCTOR LEVER CLAMP WAGO
CBL1-101.04	1	UNV00001949	100FT OF 12/3 ON A SPRING REEL

 <b>LARSON ELECTRONICS</b> 9419 E US HWY 175, KEMP, TX 75143	TITLE <b>EPEXC-GFI-200-GR-12.3-100-2023-125V</b>		
	DRAWN BY <b>R.BLACK</b>	DATE <b>03/09/2021</b>	REV <b>A</b>
	CHECKED BY <b>P.CRYER</b>	SHEET # <b>1 OF 1</b>	DRAWING # <b>101</b>

8 7 6 5 4 3 2 1