

6

5

4

3

2

1

F

F

E

E

D

D

C

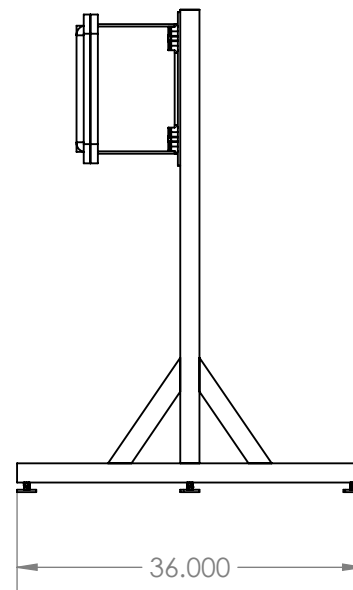
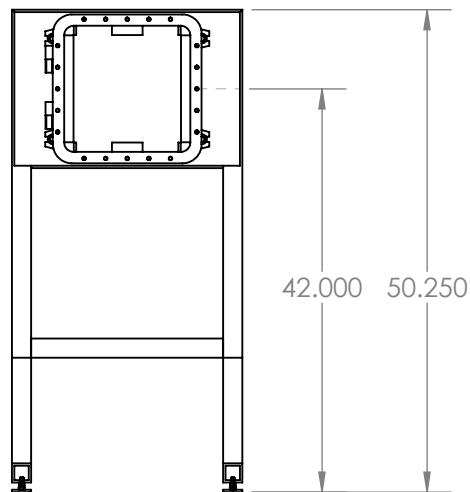
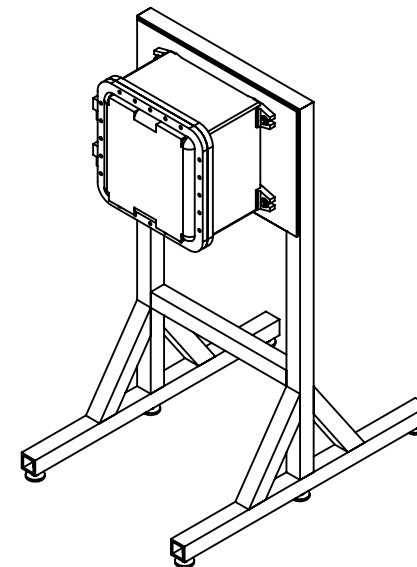
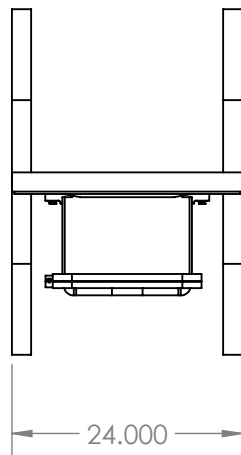
C

B

B

A

A



TITLE:  
**EPL-AEB-SBUM-12.12.8-AL-R1**

|                          |  |         |                    |
|--------------------------|--|---------|--------------------|
| FINISH                   |  | NAME    |                    |
| SURFACE AREA [sq. in.]   |  | DRAWN   | CHRISTOPHER THAUER |
| DIMENSIONS ARE IN INCHES |  | CHECKED | N/A                |
| MATERIAL                 |  | DATE    | 10/2/2019          |
| DO NOT SCALE DRAWING     |  |         |                    |

|            |          |              |
|------------|----------|--------------|
| SIZE       | DWG. NO. | REV          |
| <b>A</b>   |          |              |
| SCALE: NTS |          | SHEET 2 OF 4 |

**PROPRIETARY AND CONFIDENTIAL**  
THE INFORMATION CONTAINED IN THIS DRAWING IS THE SOLE PROPERTY OF LARSON ELECTRONICS LLC. ANY REPRODUCTION IN PART OR AS A WHOLE WITHOUT THE WRITTEN PERMISSION OF LARSON ELECTRONICS LLC IS PROHIBITED.

UNLESS OTHERWISE NOTED:  
Angle +/- .5 deg  
.X +/- .02  
.XX +/- .01  
.XXX +/- .005

6

5

4

3

2

1