

6

5

4

3

2

1

F

F

E

E

D

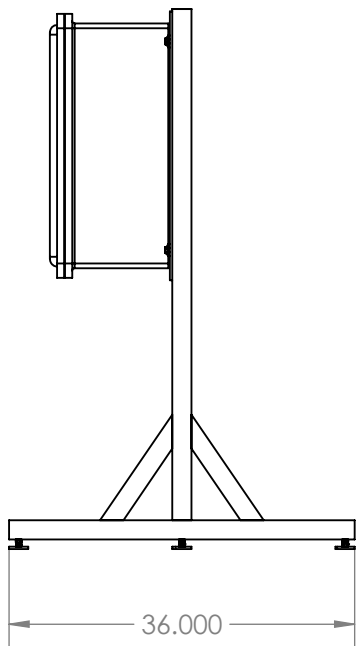
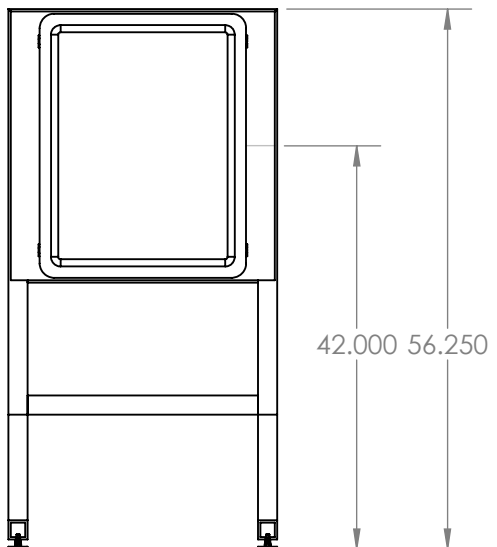
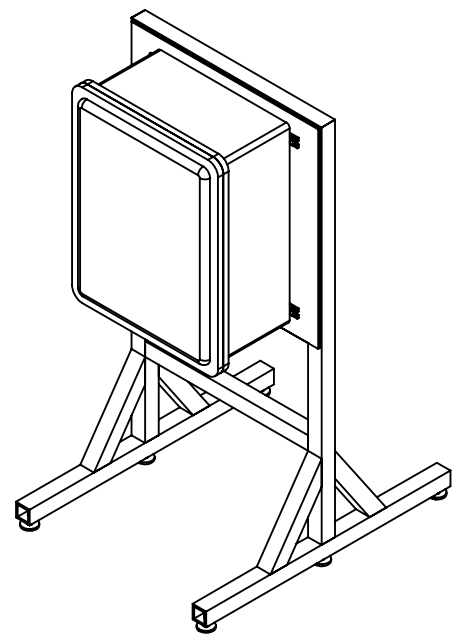
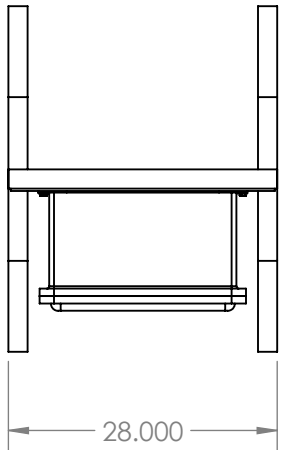
D

C

C

B

B



TITLE:		
EPL-AEB-SBUM-18.24.10-AL-R1		
SIZE	DWG. NO.	REV
A		
SCALE: NTS		SHEET 4 OF 4

FINISH		NAME
SURFACE AREA [sq. in]		DRAWN
DIMENSIONS ARE IN INCHES		CHRISTOPHER THAUER
MATERIAL		CHECKED
		N/A
DO NOT SCALE DRAWING	DATE	10/2/2019

PROPRIETARY AND CONFIDENTIAL
 THE INFORMATION CONTAINED IN THIS DRAWING IS THE SOLE PROPERTY OF LARSON ELECTRONICS LLC. ANY REPRODUCTION IN PART OR AS A WHOLE WITHOUT THE WRITTEN PERMISSION OF LARSON ELECTRONICS LLC IS PROHIBITED.

UNLESS OTHERWISE NOTED:
 Angle +/- .5 deg
 .X +/- .02
 .XX +/- .01
 .XXX +/- .005

6

5

4

3

2

1

A

A