

PART NUMBER:

EPL-LP-12-LED

PROPRIETARY AND CONFIDENTIAL
 THE INFORMATION CONTAINED IN THIS DRAWING IS THE SOLE PROPERTY OF LARSON ELECTRONICS LLC. ANY REPRODUCTION IN PART OR AS A WHOLE WITHOUT THE WRITTEN PERMISSION OF LARSON ELECTRONICS LLC IS PROHIBITED.

DIMENSIONS ARE IN INCHES					
DO NOT SCALE DRAWING	DATE	11/6/2019	SCALE: NTS		SHEET 1 OF 3

SIZE
A

REV
1

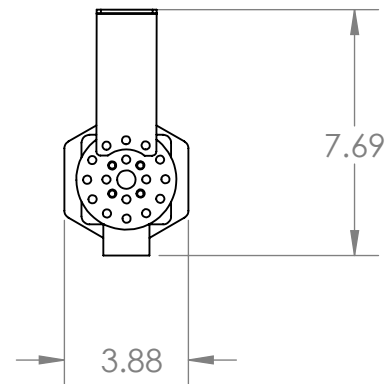
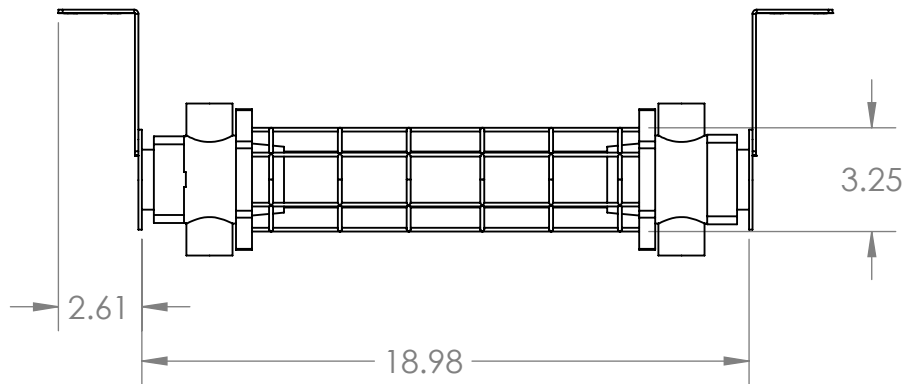
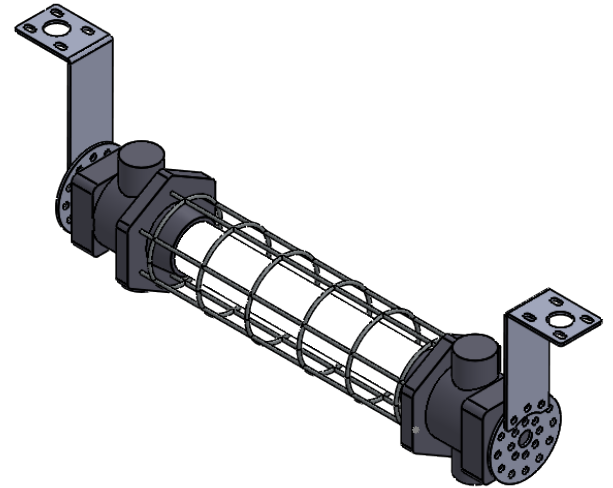
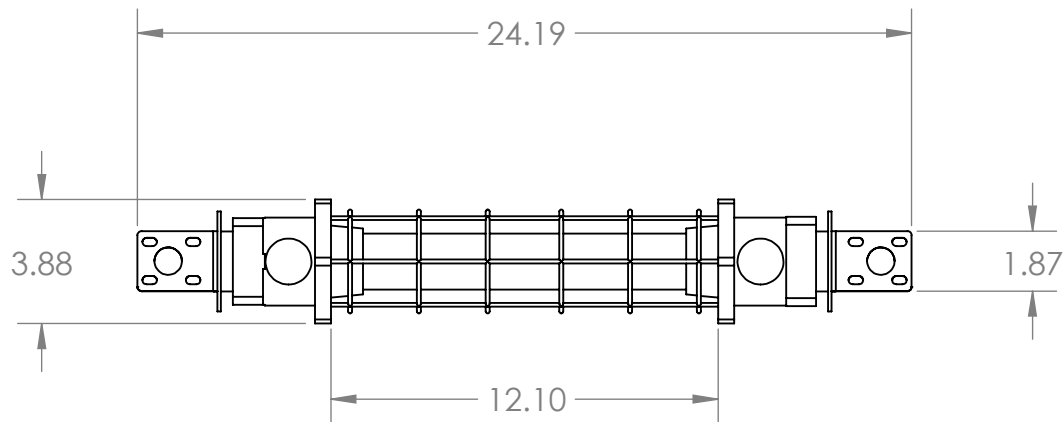
5

4

3

2

1



PART NUMBER:

EPL-LP-12-LED

SIZE

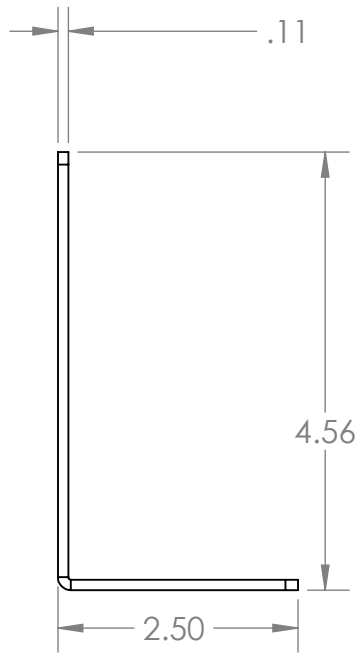
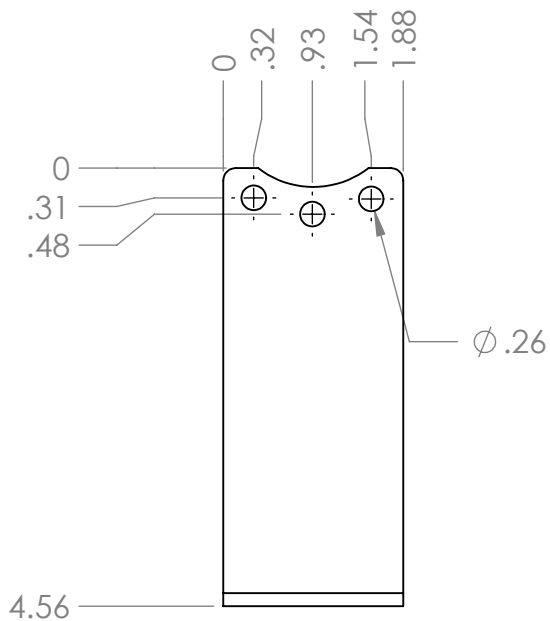
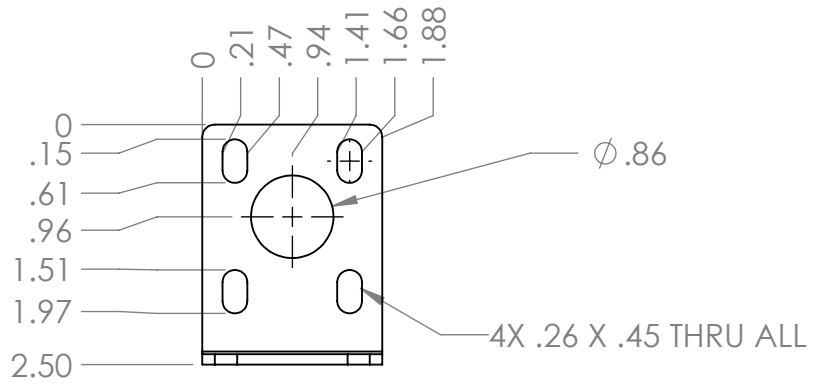
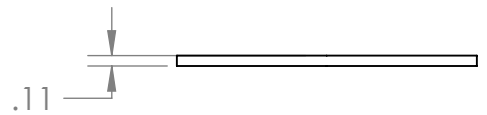
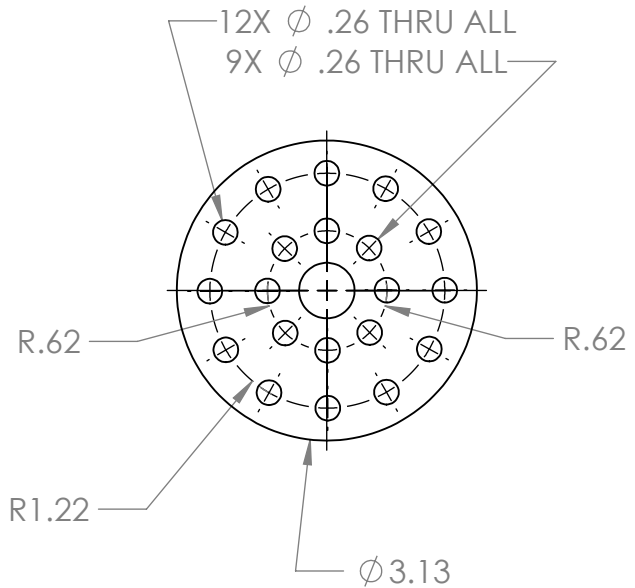
A

REV

1

PROPRIETARY AND CONFIDENTIAL
 THE INFORMATION CONTAINED IN THIS DRAWING IS THE SOLE PROPERTY OF LARSON ELECTRONICS LLC. ANY REPRODUCTION IN PART OR AS A WHOLE WITHOUT THE WRITTEN PERMISSION OF LARSON ELECTRONICS LLC IS PROHIBITED.

DIMENSIONS ARE IN INCHES							
DO NOT SCALE DRAWING	DATE	11/6/2019	SCALE: NTS			SHEET 2 OF 3	



PROPRIETARY AND CONFIDENTIAL
THE INFORMATION CONTAINED IN THIS DRAWING IS THE SOLE PROPERTY OF LARSON ELECTRONICS LLC. ANY REPRODUCTION IN PART OR AS A WHOLE WITHOUT THE WRITTEN PERMISSION OF LARSON ELECTRONICS LLC IS PROHIBITED.

PART NUMBER:
CIRCULAR AND SURFACE MOUNT

SIZE A	REV 1
SCALE: NTS	SHEET 3 OF 3

DIMENSIONS ARE IN INCHES	
DO NOT SCALE DRAWING	DATE 11/6/2019