

6

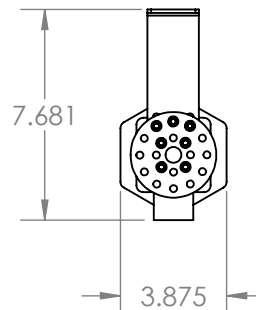
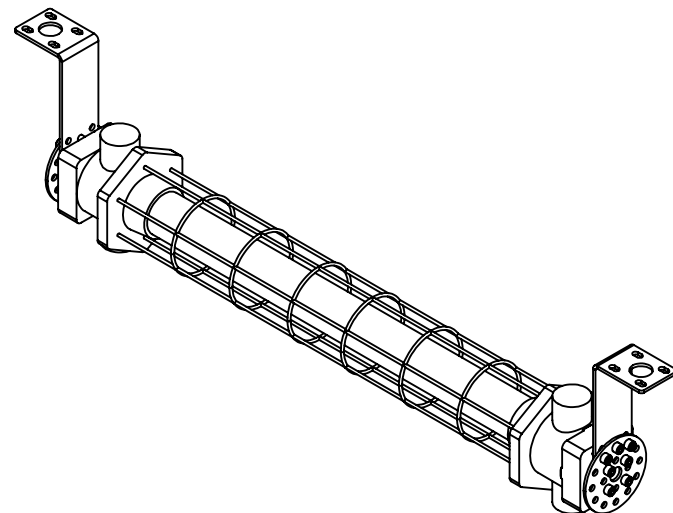
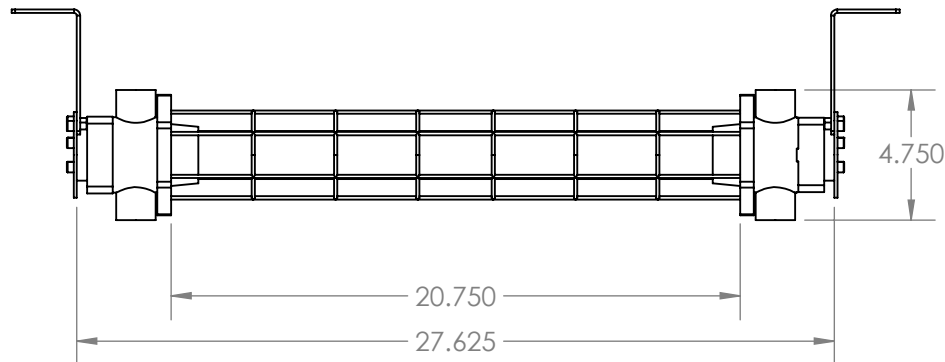
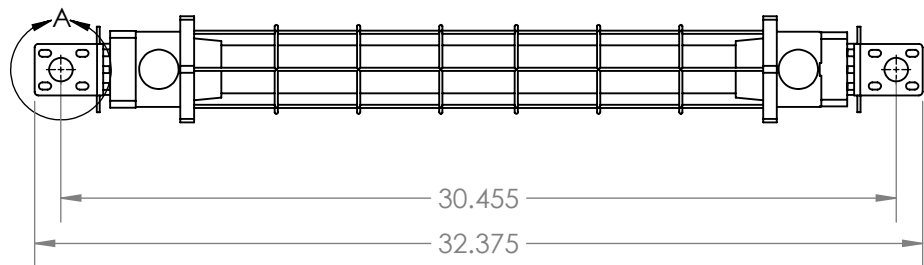
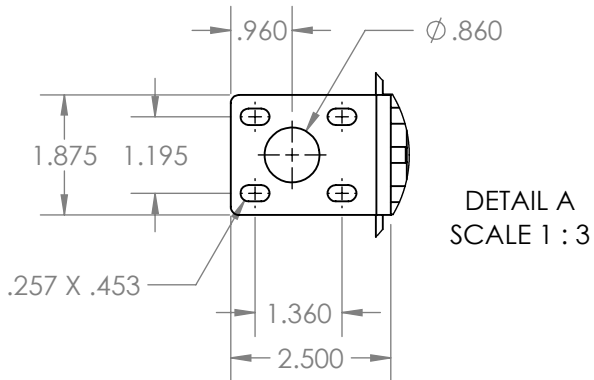
5

4

3

2

1



TITLE:			
<b>EPL-LP-24-LED</b>			
SIZE	DWG. NO.	REV	
<b>A</b>			
SCALE: NTS		SHEET 1 OF 1	

FINISH		NAME	
SURFACE AREA [sq. in]		DRAWN	CHRISTOPHER THAUER
DIMENSIONS ARE IN INCHES		CHECKED	N/A
MATERIAL		DATE	11/25/2020
DO NOT SCALE DRAWING			

**PROPRIETARY AND CONFIDENTIAL**  
 THE INFORMATION CONTAINED IN THIS DRAWING IS THE SOLE PROPERTY OF LARSON ELECTRONICS LLC. ANY REPRODUCTION IN PART OR AS A WHOLE WITHOUT THE WRITTEN PERMISSION OF LARSON ELECTRONICS LLC IS PROHIBITED.

UNLESS OTHERWISE NOTED:  
 Angle +/- .5 deg  
 .X +/- .02  
 .XX +/- .01  
 .XXX +/- .005

6

5

4

3

2

1

A

A