

6

5

4

3

2

1

F

F

E

E

D

D

C

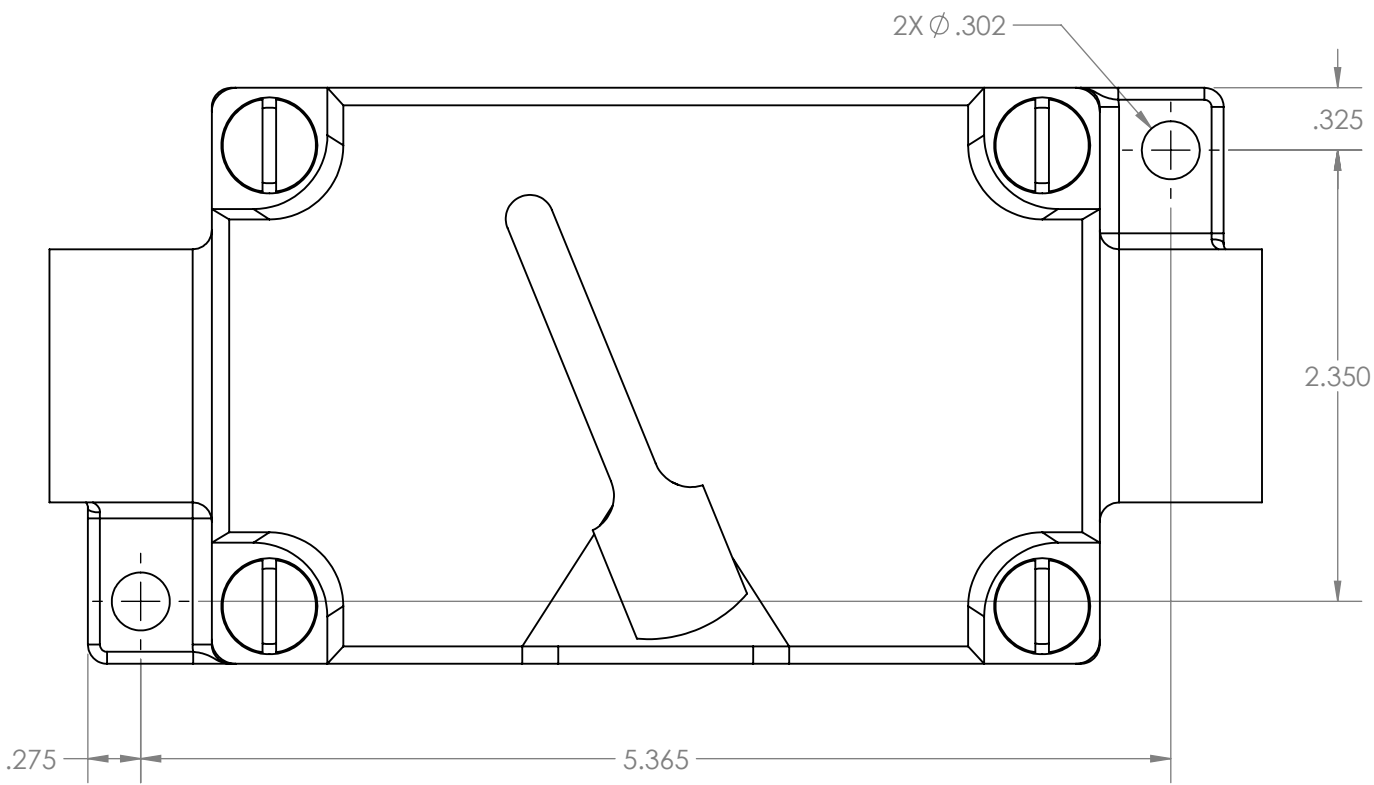
C

B

B

A

A



TITLE:		
EPL-SW1		
SIZE	DWG. NO.	REV
A		
SCALE: NTS		SHEET 1 OF 1

FINISH		NAME
SURFACE AREA [sq. in]		DRAWN
DIMENSIONS ARE IN INCHES		CHRISTOPHER THAUER
MATERIAL		CHECKED
DO NOT SCALE DRAWING		N/A
DATE		9/24/2019

PROPRIETARY AND CONFIDENTIAL
 THE INFORMATION CONTAINED IN THIS DRAWING IS THE SOLE PROPERTY OF LARSON ELECTRONICS LLC. ANY REPRODUCTION IN PART OR AS A WHOLE WITHOUT THE WRITTEN PERMISSION OF LARSON ELECTRONICS LLC IS PROHIBITED.

UNLESS OTHERWISE NOTED:
 Angle +/- .5 deg
 .X +/- .02
 .XX +/- .01
 .XXX +/- .005

6

5

4

3

2

1