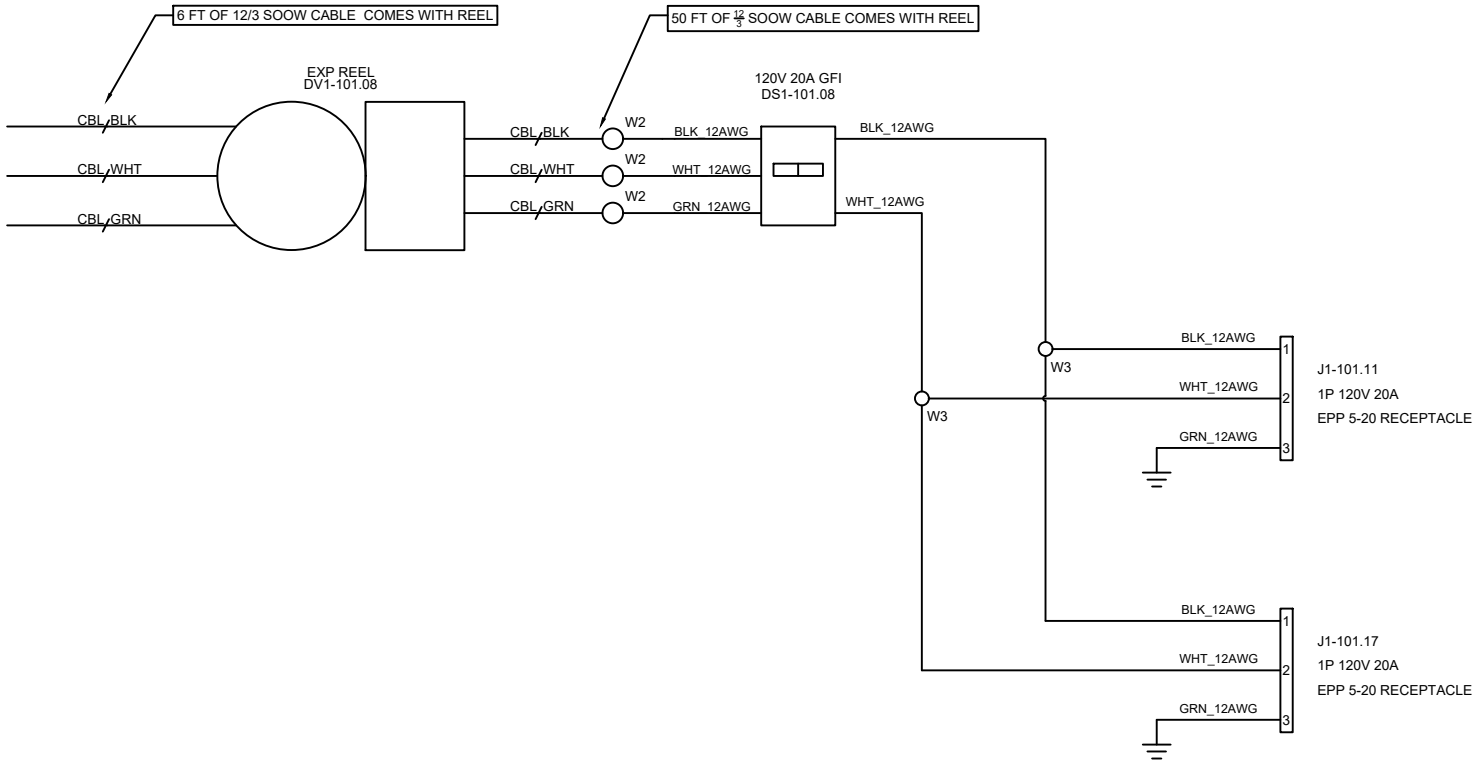


REV	DESCRIPTION	DATE
A	PRODUCTION RELEASE	4/13/2022


EPLRT2-50-12.3-HR-GFI-2023-125V



CUSTOMER SUPPLIED UTILITY  
120VAC



TAGS	QTY	CATALOG	DESCRIPTION
J1-101.11 J1-101.17	2	UNV00005394	EXPLOSION PROOF RECEPTACLE WITH HINGE COVER 5-20R 125V
DS1-101.08	1	UNV00005289	FACTORY SEALED EXPLOSION PROOF 20A 120V GFI
W2	3	UNV00009802	2 HOLE WAGO
W3	2	UNV00011954	3 HOLE WAGO
DV1-101.08	1	UNV00001938	50FT OF 12/3 CABLE ON SPRING REEL

 <b>LARSON ELECTRONICS</b> 9419 E US HWY 175, KEMP, TX 75143	TITLE <b>EPLRT2-50-12.3-HR-GFI-2023-125V</b>		
	DRAWN BY <b>S.DESAI</b>	DATE <b>4/13/2022</b>	REV <b>A</b>
CHECKED BY <b>M.RAHMAN</b>	SHEET # <b>1 OF 1</b>	DRAWING # <b>101</b>	