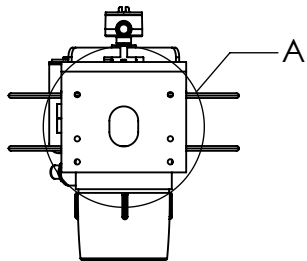
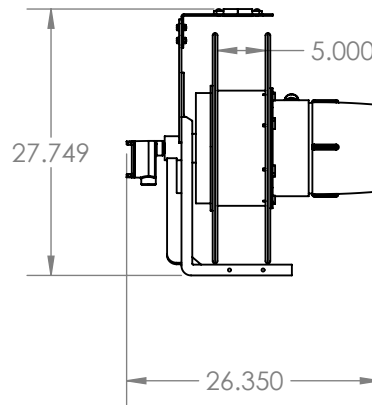
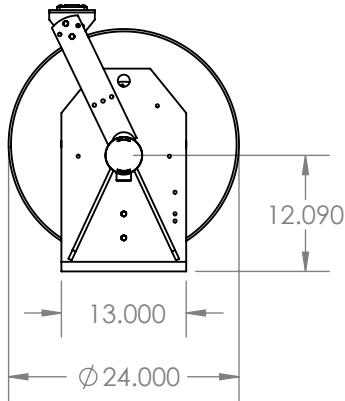
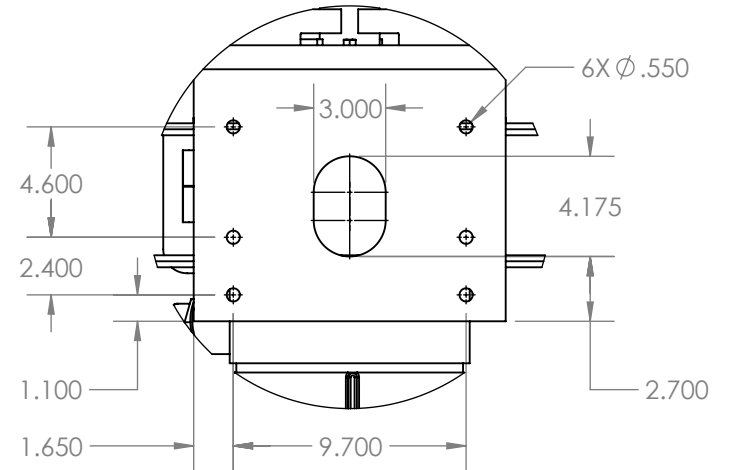


DETAIL A  
SCALE 1 : 8



**PROPRIETARY AND CONFIDENTIAL**  
THE INFORMATION CONTAINED IN THIS DRAWING IS THE SOLE PROPERTY OF LARSON ELECTRONICS LLC. ANY REPRODUCTION IN PART OR AS A WHOLE WITHOUT THE WRITTEN PERMISSION OF LARSON ELECTRONICS LLC IS PROHIBITED.

DIMENSIONS ARE IN INCHES		DRAWN	CHRIS THAUER	SIZE	DWG. NO.	REV
MATERIAL		CHECKED	JEREMY BLANKENSHIP	<b>A</b>		
DO NOT SCALE DRAWING				SCALE: 1:20		SHEET 1 OF 1

TITLE:  
**100FT EXPLOSION PROOF  
CORD REEL**