

TITLE:
**EPLX-HB-30W-
 SQ2-LED-TRC**

PROPRIETARY AND CONFIDENTIAL
 THE INFORMATION CONTAINED IN THIS
 DRAWING IS THE SOLE PROPERTY OF
 LARSON ELECTRONICS LLC. ANY
 REPRODUCTION IN PART OR AS A WHOLE
 WITHOUT THE WRITTEN PERMISSION OF
 LARSON ELECTRONICS LLC IS
 PROHIBITED.

		NAME			
	DRAWN	Luis Martinez	SIZE	DWG. NO.	REV
	CHECKED	N/A	A		00
DIMENSIONS ARE IN INCHES	DATE	01/12/2018	SCALE: NTS		SHEET 1 OF 2
DO NOT SCALE DRAWING					

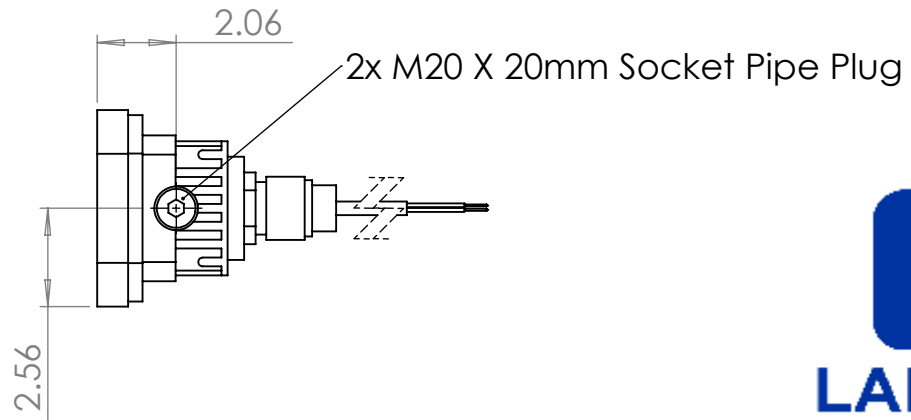
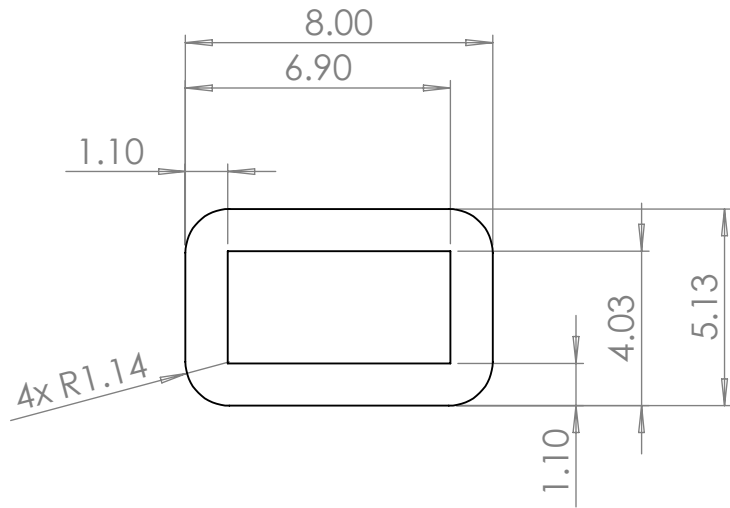
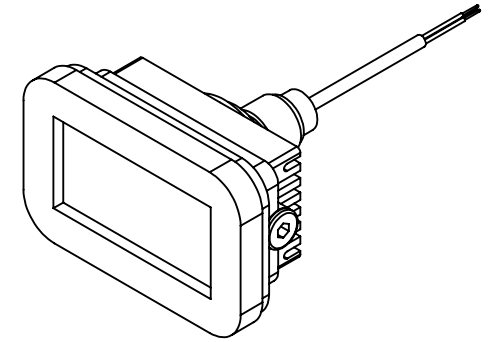
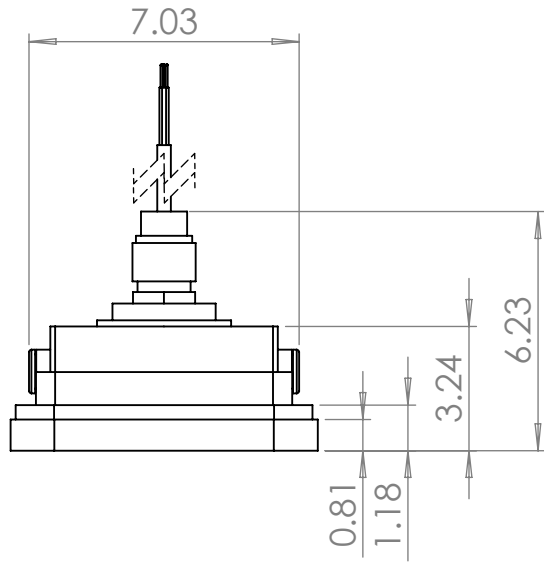
5

4

3

2

1



PROPRIETARY AND CONFIDENTIAL
 THE INFORMATION CONTAINED IN THIS DRAWING IS THE SOLE PROPERTY OF LARSON ELECTRONICS LLC. ANY REPRODUCTION IN PART OR AS A WHOLE WITHOUT THE WRITTEN PERMISSION OF LARSON ELECTRONICS LLC IS PROHIBITED.

TITLE:
EPLX-HB-30W-SQ2-LED-TRC

		NAME			
	DRAWN	Luis Martinez	SIZE	DWG. NO.	REV
	CHECKED	N/A	A		00
DIMENSIONS ARE IN INCHES	DATE	01/12/2018	SCALE: NTS		SHEET 2 OF 2
DO NOT SCALE DRAWING					

5

4

3

2

1