

TITLE:
**EPLX-HB-40W-
 SQ2-LED-TRC**

PROPRIETARY AND CONFIDENTIAL
 THE INFORMATION CONTAINED IN THIS
 DRAWING IS THE SOLE PROPERTY OF
 LARSON ELECTRONICS LLC. ANY
 REPRODUCTION IN PART OR AS A WHOLE
 WITHOUT THE WRITTEN PERMISSION OF
 LARSON ELECTRONICS LLC IS
 PROHIBITED.

| | | | | | |
|--------------------------|---------|---------------|------------|----------|--------------|
| | | NAME | | | |
| | DRAWN | Luis Martinez | SIZE | DWG. NO. | REV |
| | CHECKED | N/A | A | | 00 |
| | DATE | 01/12/2018 | SCALE: NTS | | SHEET 1 OF 2 |
| DIMENSIONS ARE IN INCHES | | | | | |
| DO NOT SCALE DRAWING | | | | | |

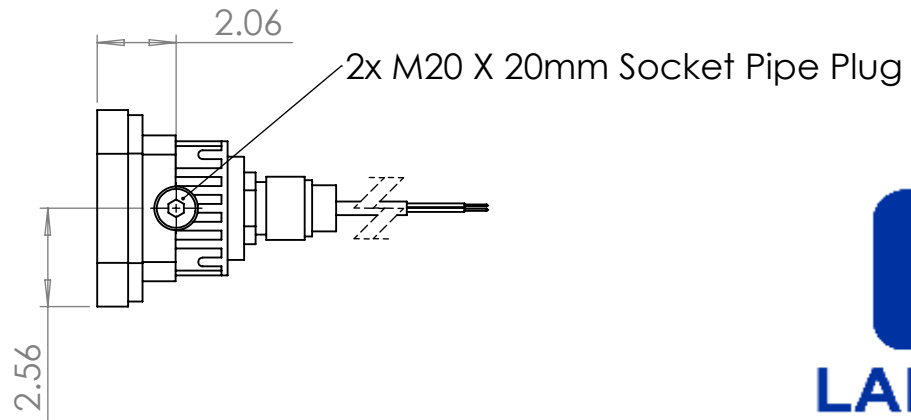
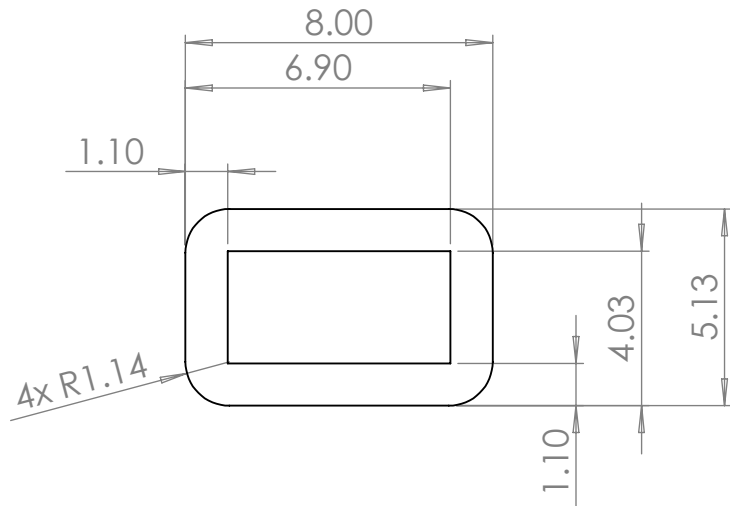
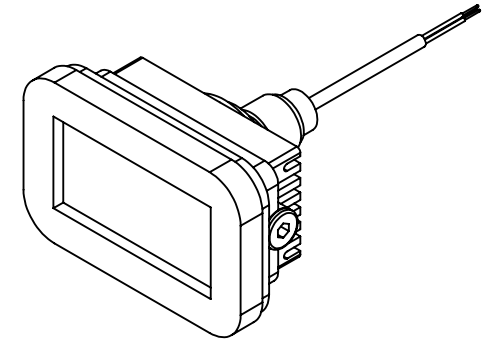
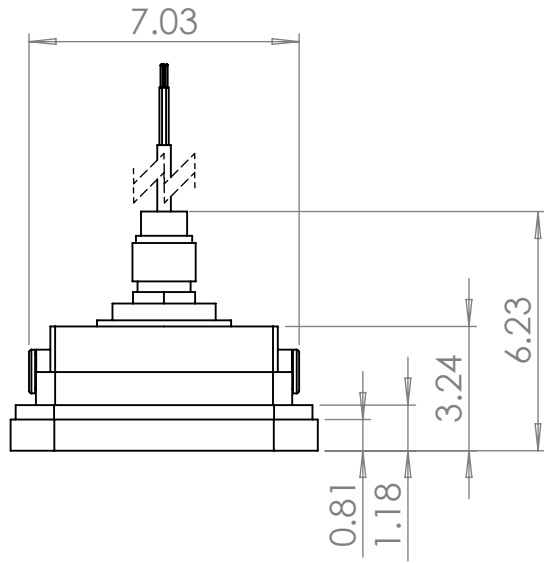
5

4

3

2

1



PROPRIETARY AND CONFIDENTIAL
 THE INFORMATION CONTAINED IN THIS DRAWING IS THE SOLE PROPERTY OF LARSON ELECTRONICS LLC. ANY REPRODUCTION IN PART OR AS A WHOLE WITHOUT THE WRITTEN PERMISSION OF LARSON ELECTRONICS LLC IS PROHIBITED.

TITLE:
EPLX-HB-40W-SQ2-LED-TRC_

| | | | | | |
|--------------------------|---------|---------------|------------|----------|--------------|
| | | NAME | | | |
| | DRAWN | Luis Martinez | SIZE | DWG. NO. | REV |
| | CHECKED | N/A | A | | 00 |
| | DATE | 01/12/2018 | SCALE: NTS | | SHEET 2 OF 2 |
| DIMENSIONS ARE IN INCHES | | | | | |
| DO NOT SCALE DRAWING | | | | | |

5

4

3

2

1