

TITLE:
**EPLX-HB-80W-
 RD2-LED-TRC**

PROPRIETARY AND CONFIDENTIAL
 THE INFORMATION CONTAINED IN THIS
 DRAWING IS THE SOLE PROPERTY OF
 LARSON ELECTRONICS LLC. ANY
 REPRODUCTION IN PART OR AS A WHOLE
 WITHOUT THE WRITTEN PERMISSION OF
 LARSON ELECTRONICS LLC IS
 PROHIBITED.

		NAME			
	DRAWN	Luis Martinez	SIZE	DWG. NO.	REV
	CHECKED	N/A	A		00
	DATE	06/16/2017	SCALE: NTS		SHEET 1 OF 2
DIMENSIONS ARE IN INCHES					
DO NOT SCALE DRAWING					

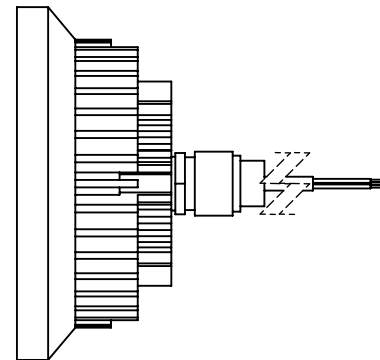
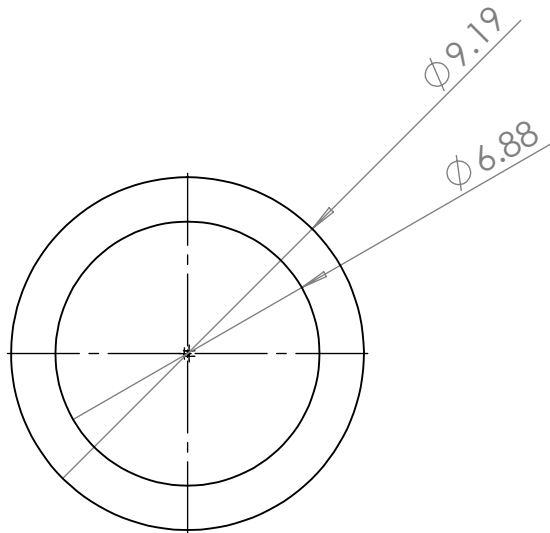
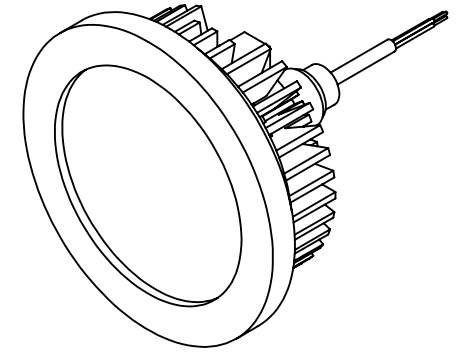
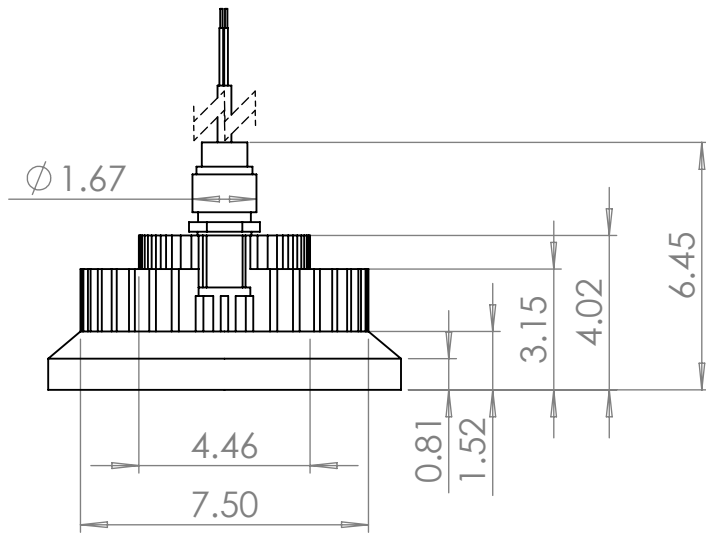
5

4

3

2

1



PROPRIETARY AND CONFIDENTIAL
THE INFORMATION CONTAINED IN THIS DRAWING IS THE SOLE PROPERTY OF LARSON ELECTRONICS LLC. ANY REPRODUCTION IN PART OR AS A WHOLE WITHOUT THE WRITTEN PERMISSION OF LARSON ELECTRONICS LLC IS PROHIBITED.

DIMENSIONS ARE IN INCHES		DRAWN		Luis Martinez		TITLE:		EPLX-HB-80W-RD2-LED-TRC	
DO NOT SCALE DRAWING		CHECKED		N/A		SIZE		A	
		DATE		06/16/2017		DWG. NO.			
						SCALE: NTS			
								REV	
								00	
								SHEET 2 OF 2	

5

4

3

2

1