

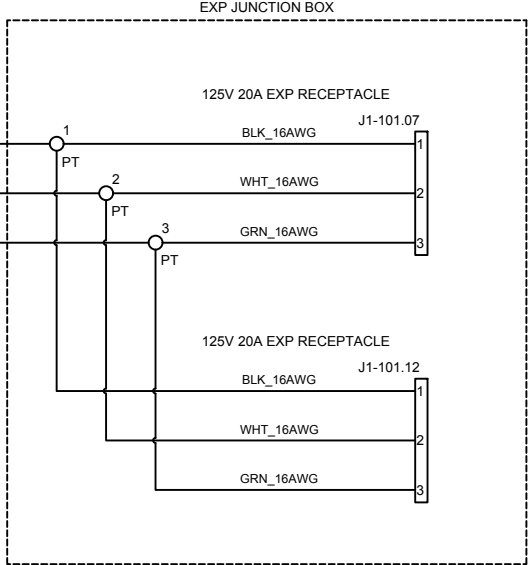
REV	DESCRIPTION	DATE
A	PRODUCTION RELEASE	7-21-2021

EPO-2G-2X20A-10-BCE-125VAC-XX

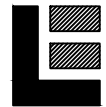


CUSTOMER
SUPPLIED UTILITY
125VAC
40A MAX

10FT



TAGS	QTY	CATALOG	DESCRIPTION
J1-101.07 J1-101.12	2	UNV00005394	5-20R EXPLOSION PROOF RECEPTACLE WITH HINGE COVER
PT	3	UNV00008883	MULTI CABLE CONNECTOR BLOCK-3 PORT- 14-4AWG
CBL1-101.07	1	UNV00002908	CORD 12/3 SOOW UL 90C BLK



**LARSON
ELECTRONICS**

9419 E US HWY 175,
KEMP, TX 75143

TITLE EPO-2G-2X20A-10-BCE-125VAC-XX		
DRAWN BY P.CRYER	DATE 7-21-2021	REV A
CHECKED BY R.BLACK	SHEET # 1 OF 1	DRAWING # 101