

REV	DESCRIPTION	DATE
A	PRODUCTION RELEASE	7/28/2020

EPO-3W4P-30A-ICB-XX



8 7 6 5 4 3 2 1

H 101.01 101.02 101.03 101.04 101.05 101.06 101.07 101.08 101.09 101.10 101.11 101.12 101.13 101.14 101.15 101.16 101.17 101.18 101.19 101.20 101.21 101.22 101.23 101.24 101.25 101.26 101.27 101.28 101.29 101.30

G 101.05 101.06 101.07 101.08 101.09 101.10 101.11 101.12 101.13 101.14 101.15 101.16 101.17 101.18 101.19 101.20 101.21 101.22 101.23 101.24 101.25 101.26 101.27 101.28 101.29 101.30

F 101.09 101.10 101.11 101.12 101.13 101.14 101.15 101.16 101.17 101.18 101.19 101.20 101.21 101.22 101.23 101.24 101.25 101.26 101.27 101.28 101.29 101.30

E 101.11 101.12 101.13 101.14 101.15 101.16 101.17 101.18 101.19 101.20 101.21 101.22 101.23 101.24 101.25 101.26 101.27 101.28 101.29 101.30

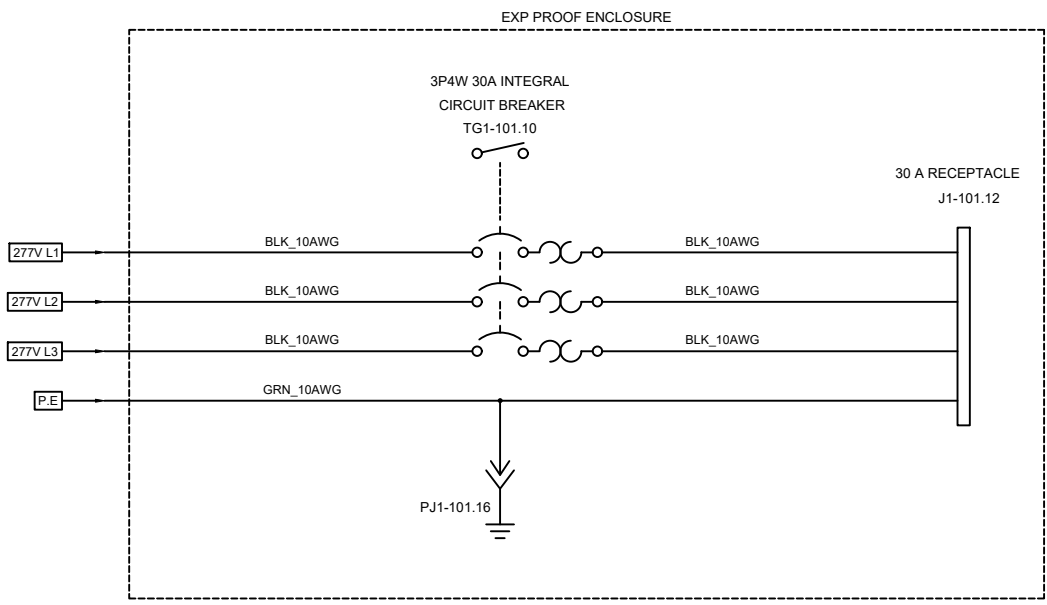
D 101.16 101.17 101.18 101.19 101.20 101.21 101.22 101.23 101.24 101.25 101.26 101.27 101.28 101.29 101.30

C 101.21 101.22 101.23 101.24 101.25 101.26 101.27 101.28 101.29 101.30

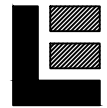
B 101.26 101.27 101.28 101.29 101.30

A 101.29 101.30

480V 30A MAX SERVICE



TAGS	QTY	CATALOG	DESCRIPTION
PJ1-101.16	1	UNV00008175	YELLOW RING TERMINAL-LARGE
TG1-101.10	1	UNV00005419	30A 3P4W INTERLOCK RECEPTACLE WITH ON OF ICB

 <b>LARSON ELECTRONICS</b> 9419 E US HWY 175, KEMP, TX 75143	TITLE <b>EPO-3W4P-30A-ICB-XX</b>		
	DRAWN BY <b>S.DESAI</b>	DATE <b>07-28-2020</b>	REV <b>A</b>
	CHECKED BY <b>P.CRAYER</b>	SHEET # <b>1 OF 1</b>	DRAWING # <b>101</b>

8 7 6 5 4 3 2 1