

EPO-30A.480V & EPP-30A.480V

Dimensions

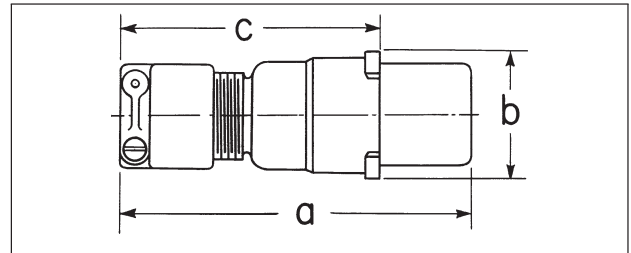
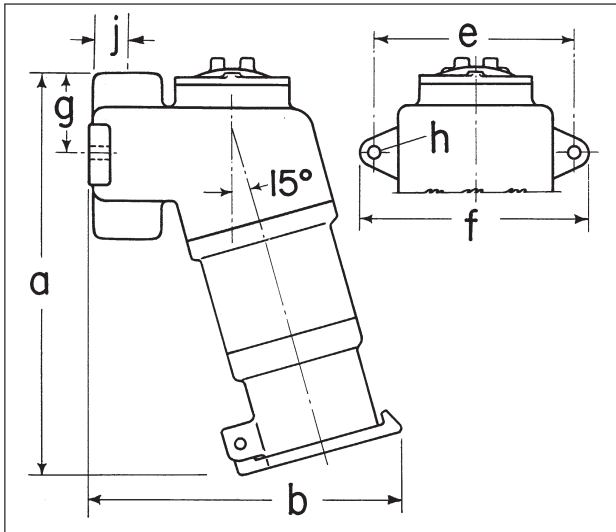
In Inches:

EPO – Cl. I, Div. 1 & 2, Group D*

Explosionproof

Wet Locations

Factory Sealed



EPP

Cat. #	a	b	c
EPP-30A.480V	7 ³ / ₄	3 ¹ / ₁₆	5

EPO

Cat. #	a	b	e	f	g	h	j
EPO-30A.480V	13 ¹ / ₂	9 ⁵ / ₈	6 ¹ / ₄	7 ¹ / ₄	3	1 ¹³ / ₃₂	1 ⁹ / ₁₆

*In U.S. EPO are also suitable for Class I, Group C when used with immediately adjacent seals.