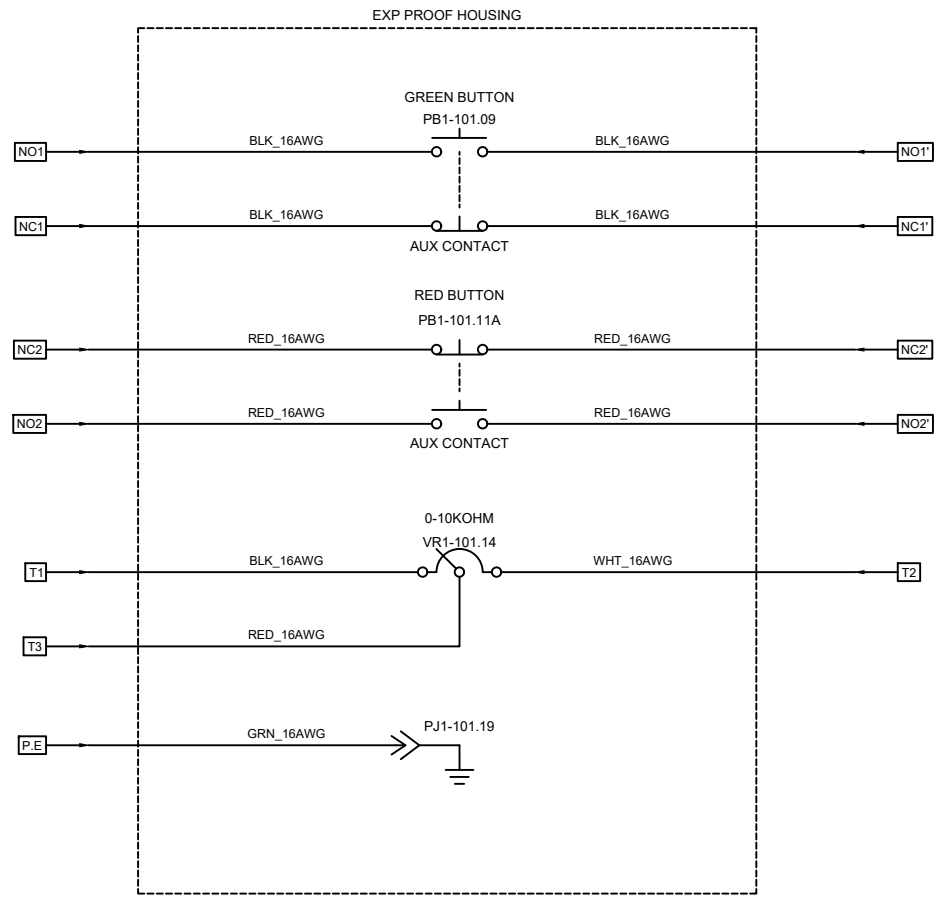


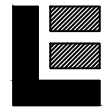
REV	DESCRIPTION	DATE
A	PRODUCTION RELEASE	10/13/2020

EPS-2XPB-PTM.10K-MOD1-0.75IN-DE





TAGS	QTY	CATALOG	DESCRIPTION
PJ1-101.19	1	UNV00008177	BLUE RING TERMINAL -SMALL
PB1-101.08 PB1-101.12	2	UNV00005311	AUX CONTACTS 1NO/NC 10A AT 600V
PB1-101.09	1	UNV00005427	START STOP PUSH BUTTON COVER WITH 10A BUTTONS
VR1-101.14	1	UNV00001284	0-10K Ohm Potentiometer

 LARSON ELECTRONICS 9419 E US HWY 175, KEMP, TX 75143	TITLE EPS-2XPB-PTM.10K-MOD1-0.75IN-DE		
	DRAWN BY S.DESAI	DATE 10-13-2020	REV A
	CHECKED BY P.CRAYER	SHEET # 1 OF 1	DRAWING # 101