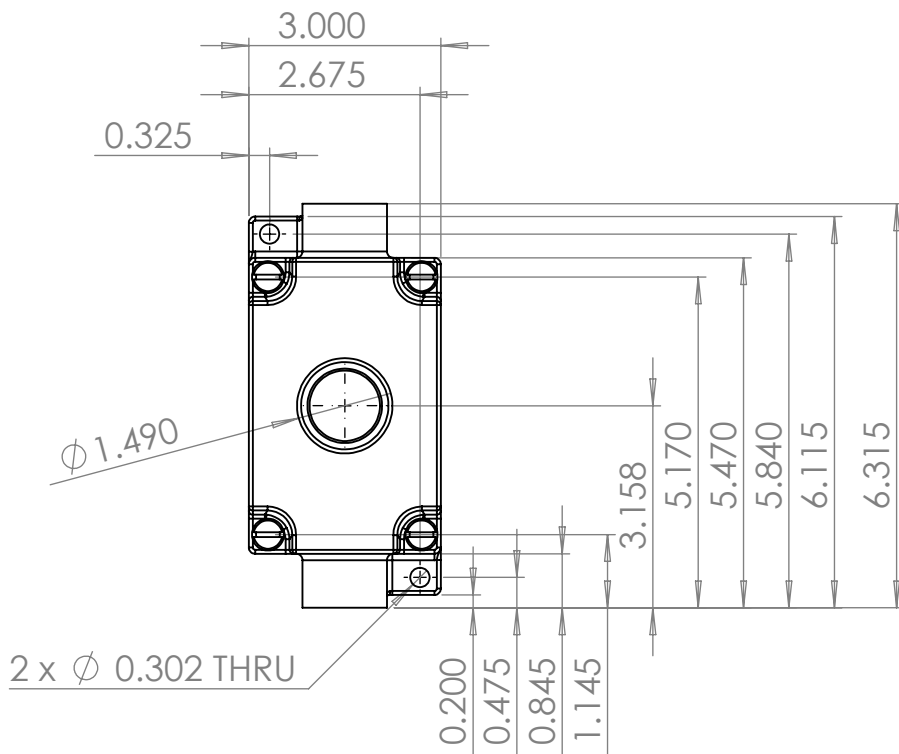
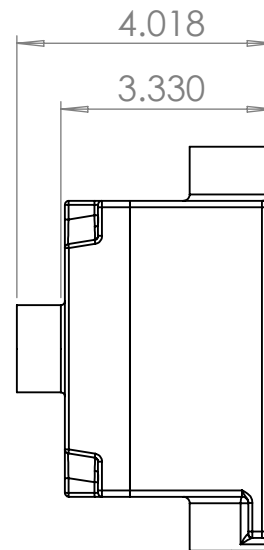
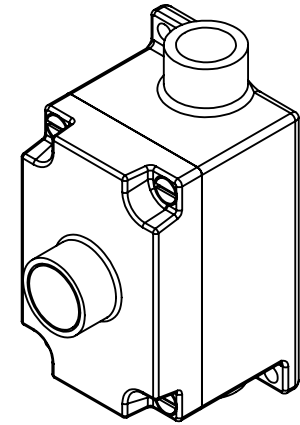
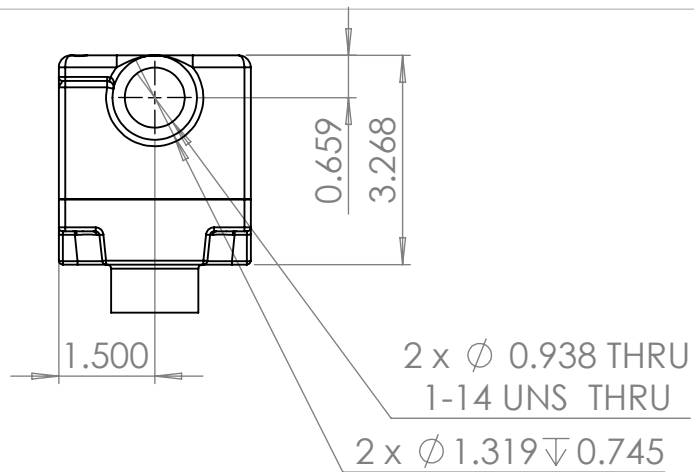


TITLE:		
EPS-PB10-MS		
SIZE	DWG. NO.	REV
A		00
SCALE: NTS		SHEET 1 OF 3

DIMENSIONS ARE IN INCHES		NAME	
Quantity	1	DRAWN	Luis Martinez
MATERIAL		CHECKED	N/A
DO NOT SCALE DRAWING		DATE	02/16/2017

UNLESS OTHERWISE NOTED:
 ANGLE: +/- .5
 .X +/- .02
 .XX +/- .01
 .XXX +/- .005

PROPRIETARY AND CONFIDENTIAL
 THE INFORMATION CONTAINED IN THIS DRAWING IS THE SOLE PROPERTY OF LARSON ELECTRONICS LLC. ANY REPRODUCTION IN PART OR AS A WHOLE WITHOUT THE WRITTEN PERMISSION OF LARSON ELECTRONICS LLC IS PROHIBITED.



TITLE:

EPS-PB10-MS

PROPRIETARY AND CONFIDENTIAL
THE INFORMATION CONTAINED IN THIS DRAWING IS THE SOLE PROPERTY OF LARSON ELECTRONICS LLC. ANY REPRODUCTION IN PART OR AS A WHOLE WITHOUT THE WRITTEN PERMISSION OF LARSON ELECTRONICS LLC IS PROHIBITED.

UNLESS OTHERWISE NOTED:

ANGLE: +/- .5
.X +/- .02
.XX +/- .01
.XXX +/- .005

DIMENSIONS ARE IN INCHES			NAME	
Quantity	1		DRAWN	Luis Martinez
MATERIAL			CHECKED	N/A
DO NOT SCALE DRAWING			DATE	02/16/2017

SIZE	DWG. NO.	REV
A		00
SCALE: NTS		SHEET 3 OF 3

5

4

3

2

1