

Explosion Proof 10 Amp Push Button Switch Cover Class I and II, Division 1 and 2 INSTALLATION SHEET

CAUTION:

A nameplate is furnished on the cover reading "DISCONNECT THIS ENCLOSURE FROM SUPPLYING CIRCUIT BEFORE OPENING". Be sure the flame paths (cover to box mating surfaces and threaded openings) do not become damaged or out of tolerance (refer to back of sheet for tolerances). Do not install in a corrosive area which will attack the "copper free" aluminum alloy or stainless steel parts unless the castings and parts have been protected against the specific corrosive environment.



DESCRIPTION:

The EPS-PB10 series maintained contact, mushroom head, push/pull operator assemblies are for use in hazardous location Class I, Groups B, C & D; Class II, Groups E, F & G; Class III areas when used with deep style boxes. These units are heavy-duty, 600 V AC rated.

OPERATION:

The mechanical action of these devices is maintained push/pull operation. The electrical action is dependent upon the contact block used (see reverse side for details).

MAINTENANCE:

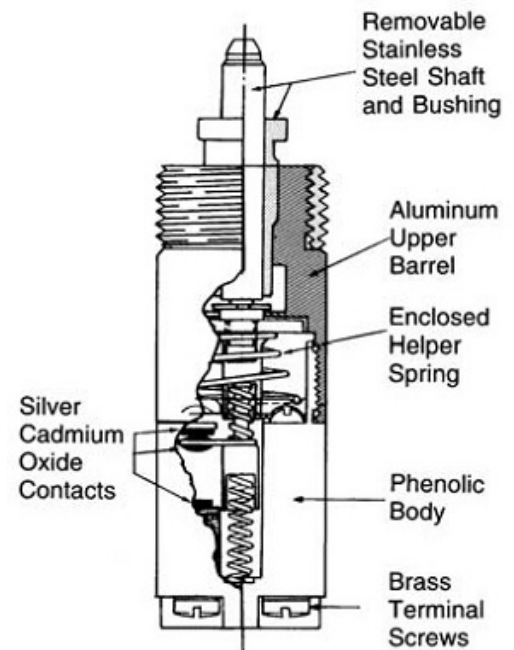
For detail of parts, refer to the back side of this sheet. To prevent binding, the knob and collar area should be cleaned periodically.

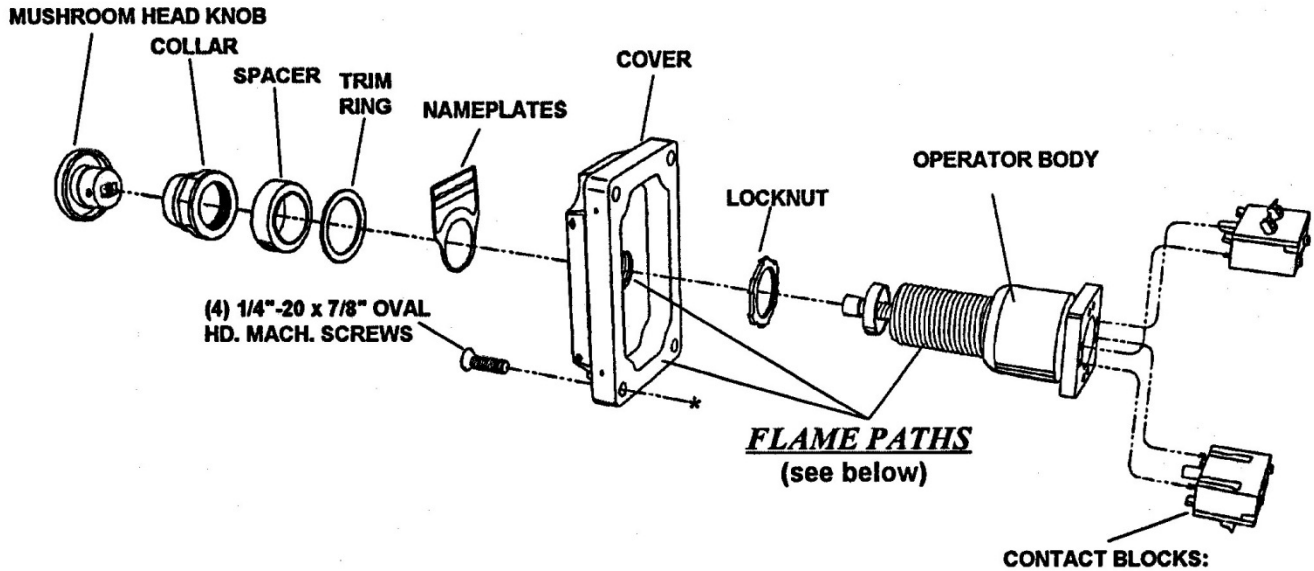
INSTALLATION

EPS-PB10 devices are for surface mounting in hazardous atmospheres, as defined in the NEC Article 500. They contain an electrical device, and must have conduit sealing fittings (per NEC article 50 1-5) on all conduit openings. Use Larson Electronics "EYM" series (or equivalent). Mount the box using the cast mounting lugs provided. Install sealing fittings as required in Class I & IT areas.

Thread conduit on to seals (**NOTE: FOR CLASS I AREAS, CONDUIT MUST ENGAGE A MINIMUM OF 5 FULL THREADS**). The conduit threads should be lubricated with a non-electrical insulating lubricant, or pipe joint compound which will not promote corrosion or chemically attack aluminum.

After conduit system has been properly installed, pull the supply wires and make wiring connections as required. The electrical circuits and ground continuity should be checked with an instrument approved for the area.





A FLAME PATH IS MACHINED ON BOX & COVER SUCH THAT A 0.0015" FEELER GAUGE WILL NOT ENTER THE JOINT MORE THAN 1/8" WHEN FULLY ASSEMBLED AND BOLTED. CARE MUST BE TAKEN THAT MACHINED SURFACES AND THREADED AREAS ARE NOT DAMAGED.

REMEMBER TO SAVE ONE OF THESE SHEETS FOR MAINTENANCE PERSONNEL.

THESE INSTRUCTIONS MAY NOT COVER ALL DETAILS OR VARIATIONS OF THIS PRODUCT FOR YOUR EQUIPMENT OR INSTALLATION REQUIREMENTS. SHOULD FURTHER INFORMATION NOT COVERED BY THESE INSTRUCTIONS BE REQUIRED, PLEASE CONTACT LARSON ELECTRONICS BY EMAIL AT SALES@LARSONELECTRONICS.COM OR BY PHONE AT 1-800-369-6671 FOR FURTHER ASSISTANCE.

PLEASE VISIT LARSONELECTRONICS.COM FOR WARRANTY AND RETURN INFORMATION.