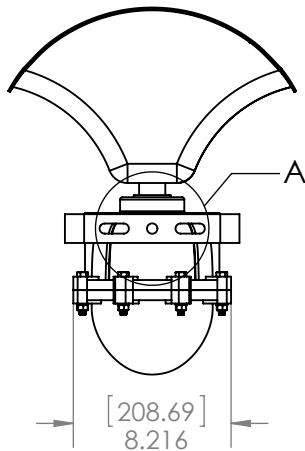
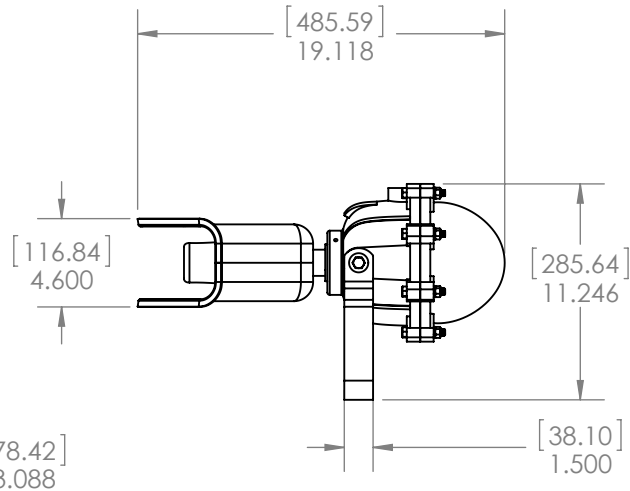
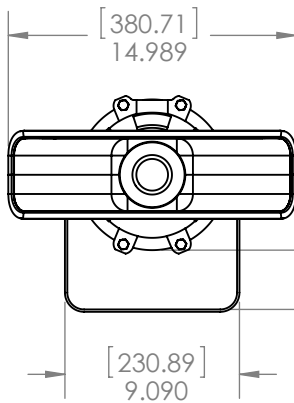
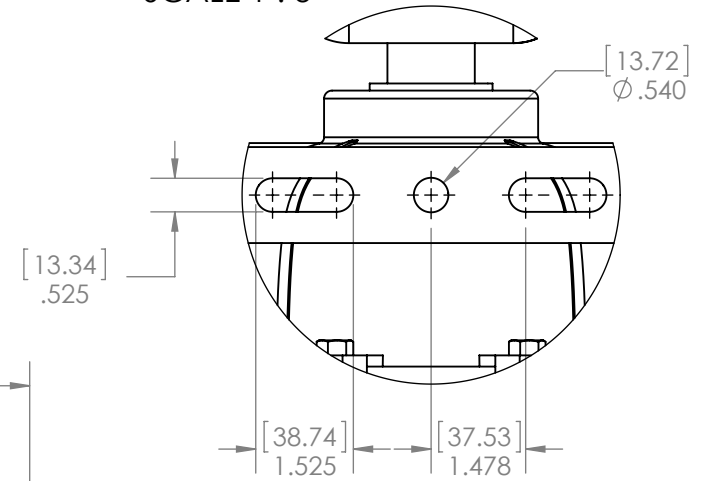


DETAIL A
SCALE 1 : 3



PROPRIETARY AND CONFIDENTIAL
THE INFORMATION CONTAINED IN THIS DRAWING IS THE SOLE PROPERTY OF LARSON ELECTRONICS LLC. ANY REPRODUCTION IN PART OR AS A WHOLE WITHOUT THE WRITTEN PERMISSION OF LARSON ELECTRONICS LLC IS PROHIBITED.

TITLE:			
EPSN-HRN-PA			
NAME		SIZE	REV
CHRIS THAUER		A	
MATERIAL			DWG. NO.
DO NOT SCALE DRAWING		SHEET 1 OF 1	

5

4

3

2

1