

MODEL EPSN-HRN-PA -

VOLTAGE
-120
-240
-24

EXPLOSION PROOF MULTISOUND SIREN INSTALLATION INSTRUCTIONS



FEATURES

- * EXPLOSION PROOF AND WEATHER PROOF FOR INDOOR AND OUTDOOR USE
- * LISTED BY UNDERWRITERS' LABORATORIES
- * BUILT IN SOLID STATE ELECTRONICS WITH 10 SOUNDS AND REMOTE CONTROL
- * REFLEX PROJECTOR FOR MAXIMUM EFFICIENCY
- * WIDE ANGLE SOUND DISPERSION PATTERN
- * ALUMINUM AND FIBERGLASS HOUSING
- * POLARITY PROTECTED (DC UNITS)

SPECIFICATIONS

POWER REQUIREMENTS: 24 WATTS MAX
 SOUND LEVEL OUTPUT: 110 DB ON AXIS AT 10 FEET
 DISPERSION: 120° X 60°
 DIMENSIONS: 14" WIDE X 6" HIGH X 17.5" LONG
 CONDUIT CONNECTION: 1/2" RIGID PIPE CONDUIT
 WEIGHT: 23 LBS
 DUTY CYCLE: CONTINUOUS

INSTALLATION INSTRUCTIONS

SET INTERNAL SELECTOR SWITCH SW1 TO SELECT TYPE OF SOUND DESIRED
 FACTORY SETTING IS S3.
 MOUNT IN ANY ORIENTATION, EXCEPT HORN SKYWARD.

POSITION -- SOUNDS SELECTABLE BY SWITCH ON SOUND MODULE

- S1 CONTINUOUSLY RUNNING TRAIN OF 8 SOUNDS IN SEQUENCE
- S2 WAIL - CONVENTIONAL SIREN
- S3 YELP - RAPID SIREN
- S4 TWO-TONE
- S5 WHOOP - ASCENDING LOW-HIGH
- S6 YEOW - DESENDING HIGH-LOW
- S7 HORN - STEADY
- S8 BEEP - SLOW INTERMITTENT HORN
- S9 STUDDER - RAPID INTERMITTENT HORN
- S0 REMOTE - ENABLES REMOTE SELECTION OF

	PRIORITY
S1 MANUAL SIREN -----	P4
S3 YELP -----	P3
S4 TWO-TONE -----	P2
S7 HORN -----	P1

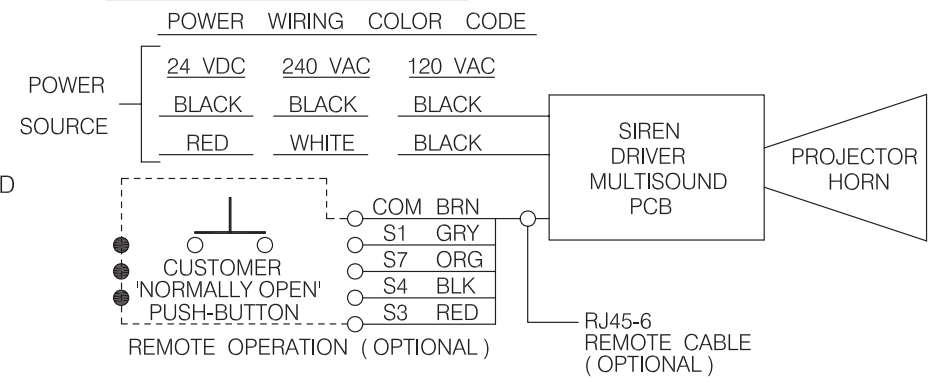
LISTINGS

- * CLASS I, GROUPS C and D;
 GAS ATMOSPHERES (INCLUDES ETHYL, ETHER, GASOLINE,
 NAPHTHA, ALCOHOLS, BUTANE, PROPANE)
- * NEMA TYPE 4
- * MARINE OUTSIDE (SALT WATER) USE

TEMPERATURE RATING

UL RATING -25°C to +40°C
 ELECTRONIC PCB RATING -55°C to +85°C

FIELD WIRING DIAGRAMS



UNLESS OTHERWISE SPECIFIED DIMENSIONS ARE IN INCHES. TOLERANCES: DECIMALS .XX + ___ - ___ .XXX + ___ - ___ ANGLES ± ___ SCALE _____ DO NOT SCALE DRAWING DRAWN _____ APPROVED _____	REV	DATE	DESCRIPTION	LARSON ELECTRONICS, LLC 9419 US HWY 175 KEMP, TEXAS 75143	
				MODEL EPSN-HRN-PA EXPLOSION PROOF SIREN INSTALLATION INSTRUCTIONS	
				FP _____ PC _____ TE _____	SHT OF