

Class I, Div. I Explosion Proof Horn Industrial Siren - Red

Instruction Manual

Thank you for your purchase of the Larson Electronics EPSN-HRN-PA-MOD1-RED.

WARNING:

READ CAREFULLY BEFORE INSTALLING FIXTURE. RETAIN THESE INSTRUCTIONS FOR FUTURE REFERENCE. CRITICAL SAFETY INSTRUCTIONS:

- INSTALLATION SHOULD ONLY BE CONDUCTED BY A QUALIFIED ELECTRICIAN IN ACCORDANCE WITH NEC AND ANY RELEVANT LOCAL BUILDING CODES.
- RISK OF FIRE OR ELECTRIC SHOCK. FIXTURE INSTALLATION REQUIRES KNOWLEDGE OF FIXTURE'S ELECTRICAL SYSTEMS. IF NOT QUALIFIED, CONTACT A QUALIFIED ELECTRICIAN.
- BE CERTAIN ELECTRICAL POWER IS OFF BEFORE AND DURING INSTALLATION AND MAINTENANCE.
- MAKE SURE THE SUPPLY VOLTAGE IS THE SAME AS THE FIXTURE'S RATED VOLTAGE.
- TO PREVENT WIRING DAMAGE OR ABRASION, DO NOT EXPOSE WIRING TO EDGES OF SHEET METAL OR SHARP OBJECTS. SUITABLE FOR DAMP LOCATIONS.

WARNING

TO AVOID THE RISK OF FIRE, EXPLOSION OR ELECTRIC SHOCK, THIS PRODUCT SHOULD BE INSTALLED, INSPECTED AND MAINTAINED BY A QUALIFIED ELECTRICIAN ONLY, IN ACCORDANCE WITH ALL APPLICABLE ELECTRICAL CODES.

TO AVOID ELECTRIC SHOCK:

- BE CERTAIN ELECTRICAL POWER IS OFF BEFORE AND DURING INSTALLATION AND MAINTENANCE.
- PRODUCT MUST BE CONNECTED TO A WIRING SYSTEM WITH AN EQUIPMENT-GROUNDING CONDUCTOR.

TO AVOID EXPLOSION:

- MAKE SURE THE SUPPLY VOLTAGE IS WITHIN THE VOLTAGE RATING.
- ENSURE THE MARKED T RATING IS LESS THAN THE IGNITION TEMPERATURE OF THE HAZARDOUS ATMOSPHERE.
- DO NOT OPERATE IN AMBIENT TEMPERATURES ABOVE THOSE INDICATED ON THE PRODUCT NAMEPLATE.
- DO NOT OPERATE IF THE LENS, CORD, SEALS, HOUSING, RECEPTACLES, ETC. IS CRACKED OR DAMAGED. IF SO, DISCONTINUE USE AND CONTACT MANUFACTURER FOR REPLACEMENT PARTS.
- ALL FASTENERS SHOULD BE PROPERLY SEATED.

The Larson Electronics EPSN-HRN-PA-MOD1-RED explosion proof horn is constructed with an aluminum housing and fiberglass horn for durability and long life. This explosion proof horn/siren is weather and dust proof and Class 1 Division 1 groups C and D rated. This is a powerful alert and signal horn that offers multiple tones, remote operation capability, and multiple voltage options.

WIRING

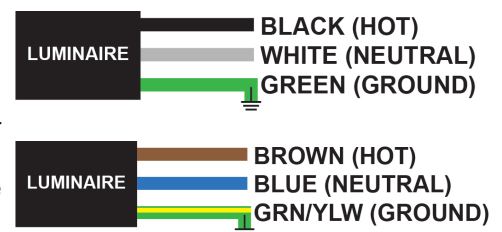
Standard pigtail(flying leads) wiring

We strongly encourage a licensed electrician install this product, in all locations especially in outdoor areas where weatherproofing may be required. Universal voltage driver permits operation at 120V - 240V AC or 24V DC.

Warning: Check product label for correct input voltage!

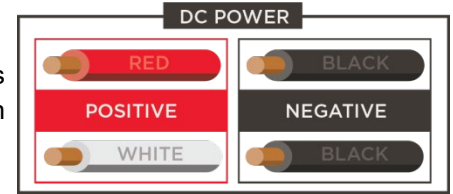
Attach supply line wires to the appropriate fixture wires as shown in the diagram →

Secure each pair of wires according to the diagram. Utilize a junction box or similar device and take precautionary steps for weatherproofing all connections if installed in a location where water may come in contact with the unit. Ensure the unit is properly grounded and that wiring is done according to all local and national electrical/building codes.



Low Voltage DC

Connect power to power supply outputting low voltage at 24 Volts DC. This variable voltage allows greater versatility without affecting output. Ensure deutsch connectors are properly connected (If applicable)



MAINTENANCE

There are no serviceable parts inside the fixture. However, it is good practice to routinely clean and check the fixture for proper function.

- Disconnect power running to the lamp and be sure the fixture is cool to the touch.
- Use a non-abrasive glass cleaning solution to clean the lens.

USE AND CARE

Unauthorized modification may impair the function and/or safety of this device and could affect the life of the equipment. Always check for damaged or worn out parts before using the device. Store it in a secure place out of the reach of children when not in use. Inspect for good working condition prior to storage and before re-use.

REPLACEMENT PARTS

The EPSN-HRN-PA-MOD1-RED is designed to provide years of reliable performance. Should the need for replacement parts arise, please contact Larson Electronics.

THESE INSTRUCTIONS MAY NOT COVER ALL DETAILS OR VARIATIONS OF THIS PRODUCT FOR YOUR EQUIPMENT OR INSTALLATION REQUIREMENTS. SHOULD FURTHER INFORMATION NOT COVERED BY THESE INSTRUCTIONS BE REQUIRED, PLEASE CONTACT LARSON ELECTRONICS BY EMAIL AT SALES@LARSONELECTRONICS.COM OR BY PHONE AT 1-800-369-6671 FOR FURTHER ASSISTANCE.

PLEASE VISIT LARSONELECTRONICS.COM FOR **WARRANTY** AND **RETURN** INFORMATION.

EPSN-HRN-PA-MOD1-RED

VOLTAGE
-120
-240
-24

EXPLOSION PROOF MULTISOUND SIREN INSTALLATION INSTRUCTIONS



FEATURES

- * EXPLOSION PROOF AND WEATHER PROOF FOR INDOOR AND OUTDOOR USE
- * LISTED BY UNDERWRITERS' LABORATORIES
- * BUILT IN SOLID STATE ELECTRONICS WITH 10 SOUNDS AND REMOTE CONTROL
- * REFLEX PROJECTOR FOR MAXIMUM EFFICIENCY
- * WIDE ANGLE SOUND DISPERSION PATTERN
- * ALUMINUM AND FIBERGLASS HOUSING
- * POLARITY PROTECTED (DC UNITS)

SPECIFICATIONS

POWER REQUIREMENTS: 24 WATTS MAX
 SOUND LEVEL OUTPUT: 110 DB ON AXIS AT 10 FEET
 DISPERSION: 120° X 60°
 DIMENSIONS: 14" WIDE X 6" HIGH X 17.5" LONG
 CONDUIT CONNECTION: 1/2" RIGID PIPE CONDUIT
 WEIGHT: 23 LBS
 DUTY CYCLE: CONTINUOUS

INSTALLATION INSTRUCTIONS

SET INTERNAL SELECTOR SWITCH SW1 TO SELECT TYPE OF SOUND DESIRED
 FACTORY SETTING IS S3.
 MOUNT IN ANY ORIENTATION, EXCEPT HORN SKYWARD.

POSITION -- SOUNDS SELECTABLE BY SWITCH ON SOUND MODULE

- S1 CONTINUOUSLY RUNNING TRAIN OF 8 SOUNDS IN SEQUENCE
- S2 WAIL - CONVENTIONAL SIREN
- S3 YELP - RAPID SIREN
- S4 TWO-TONE
- S5 WHOOP - ASCENDING LOW-HIGH
- S6 YEOW - DESENDING HIGH-LOW
- S7 HORN - STEADY
- S8 BEEP - SLOW INTERMITTENT HORN
- S9 STUDDER - RAPID INTERMITTENT HORN
- S0 REMOTE - ENABLES REMOTE SELECTION OF

S1	MANUAL SIREN	-----	P4
S3	YELP	-----	P3
S4	TWO-TONE	-----	P2
S7	HORN	-----	P1

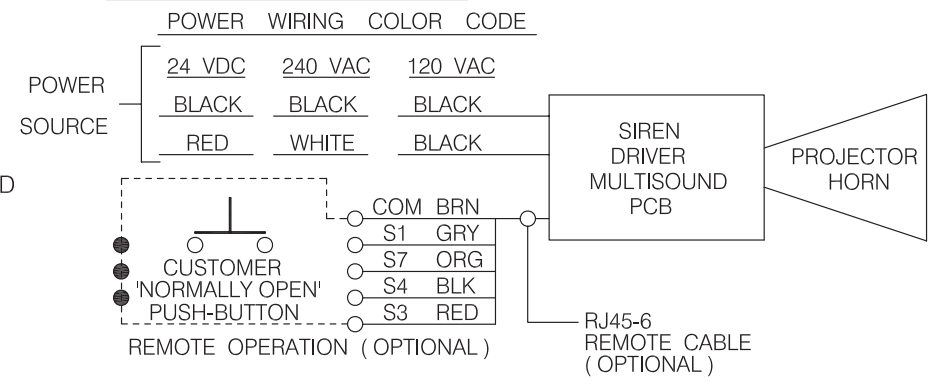
LISTINGS

- * CLASS I, GROUPS C and D;
 GAS ATMOSPHERES (INCLUDES ETHYL, ETHER, GASOLINE,
 NAPTHA, ALCOHOLS, BUTANE, PROPANE)
- * NEMA TYPE 4
- * MARINE OUTSIDE (SALT WATER) USE

TEMPERATURE RATING

UL RATING -25°C to +40°C
 ELECTRONIC PCB RATING -55°C to +85°C

FIELD WIRING DIAGRAMS



UNLESS OTHERWISE SPECIFIED DIMENSIONS ARE IN INCHES. TOLERANCES: DECIMALS .XX + - .XXX + - ANGLES ±	REV	DATE	DESCRIPTION	LARSON ELECTRONICS, LLC 9419 US HWY 175 KEMP, TEXAS 75143	
	SCALE DO NOT SCALE DRAWING			MODEL EPSN-HRN-PA-MOD1- RED EXPLOSION PROOF SIREN INSTALLATION INSTRUCTIONS	
DRAWN				FP _____ PC _____ TE _____	DRAWING NO. REV
APPROVED					SHT OF