

PROPRIETARY AND CONFIDENTIAL
 THE INFORMATION CONTAINED IN THIS DRAWING IS THE SOLE PROPERTY OF LARSON ELECTRONICS LLC. ANY REPRODUCTION IN PART OR AS A WHOLE WITHOUT THE WRITTEN PERMISSION OF LARSON ELECTRONICS LLC IS PROHIBITED.

TITLE:
EPSW-3PH-480V-3P4W-30A

		NAME			
	DRAWN	Luis Martinez	SIZE	DWG. NO.	REV
	CHECKED	N/A	A		00
	DATE	11/27/2017	SCALE: NTS		SHEET 1 OF 3
DIMENSIONS ARE IN INCHES					
DO NOT SCALE DRAWING					

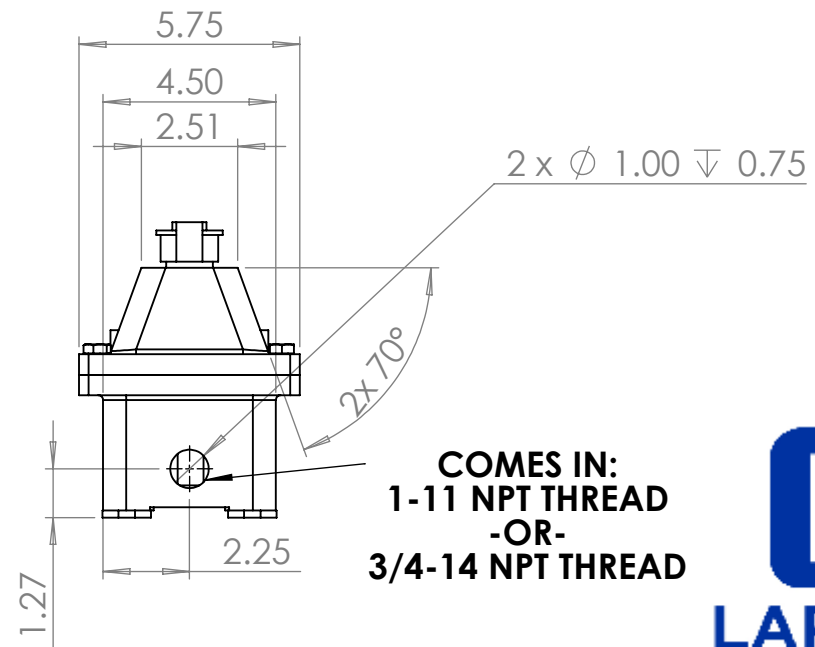
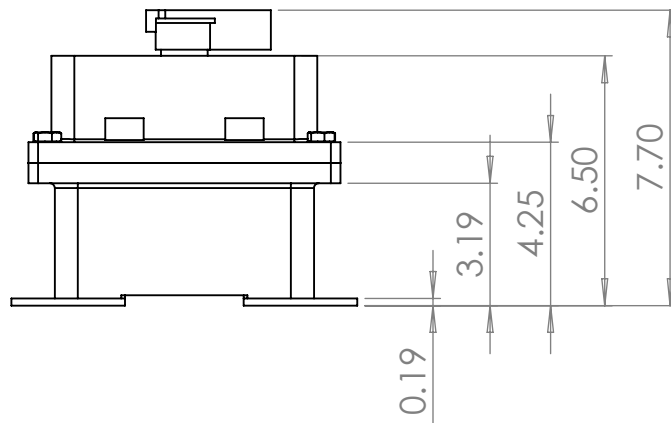
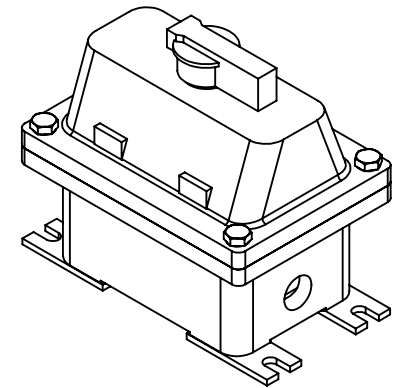
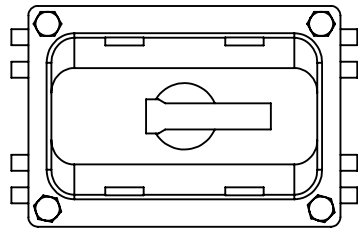
5

4

3

2

1



COMES IN:
1-11 NPT THREAD
-OR-
3/4-14 NPT THREAD



PROPRIETARY AND CONFIDENTIAL
THE INFORMATION CONTAINED IN THIS DRAWING IS THE SOLE PROPERTY OF LARSON ELECTRONICS LLC. ANY REPRODUCTION IN PART OR AS A WHOLE WITHOUT THE WRITTEN PERMISSION OF LARSON ELECTRONICS LLC IS PROHIBITED.

DIMENSIONS ARE IN INCHES		DRAWN		Luis Martinez		TITLE:		EPSW-3PH-480V-3P4W-30A	
DO NOT SCALE DRAWING		CHECKED		N/A		SIZE		A	
		DATE		11/27/2017		DWG. NO.			
						SCALE: NTS			
								REV	
								00	
								SHEET 2 OF 3	

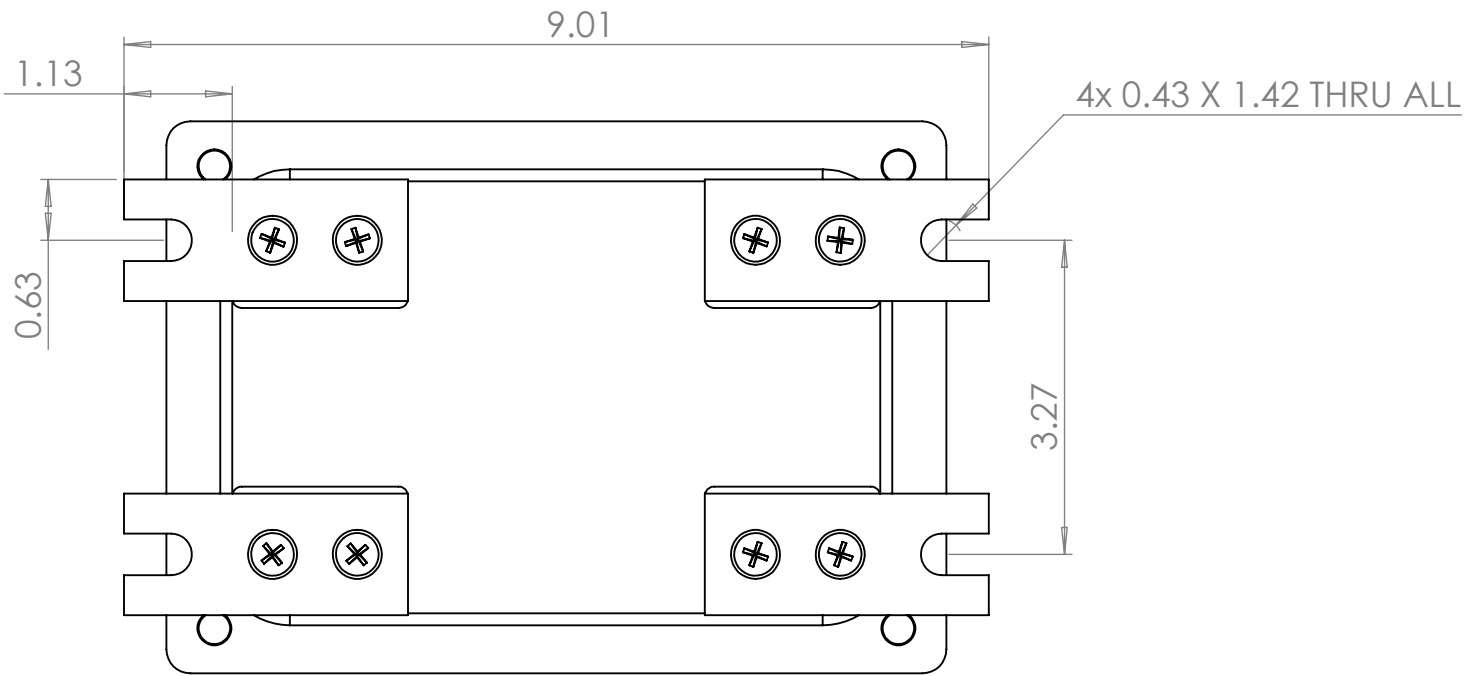
5

4

3

2

1



TITLE:
**EPSW-3PH-480V-
 3P4W-30A**

PROPRIETARY AND CONFIDENTIAL
 THE INFORMATION CONTAINED IN THIS DRAWING IS THE SOLE PROPERTY OF LARSON ELECTRONICS LLC. ANY REPRODUCTION IN PART OR AS A WHOLE WITHOUT THE WRITTEN PERMISSION OF LARSON ELECTRONICS LLC IS PROHIBITED.

		NAME			
	DRAWN	Luis Martinez	SIZE	DWG. NO.	REV
	CHECKED	N/A	A		00
	DATE	11/27/2017	SCALE: NTS		SHEET 3 OF 3
DIMENSIONS ARE IN INCHES					
DO NOT SCALE DRAWING					