

INSTALLATION, OPERATION & MAINTENANCE DATA SHEET

READ THIS SHEET CAREFULLY BEFORE BEGINNING INSTALLATION.

IMPORTANT SAFEGUARDS; READ AND FOLLOW ALL SAFETY INSTRUCTIONS.

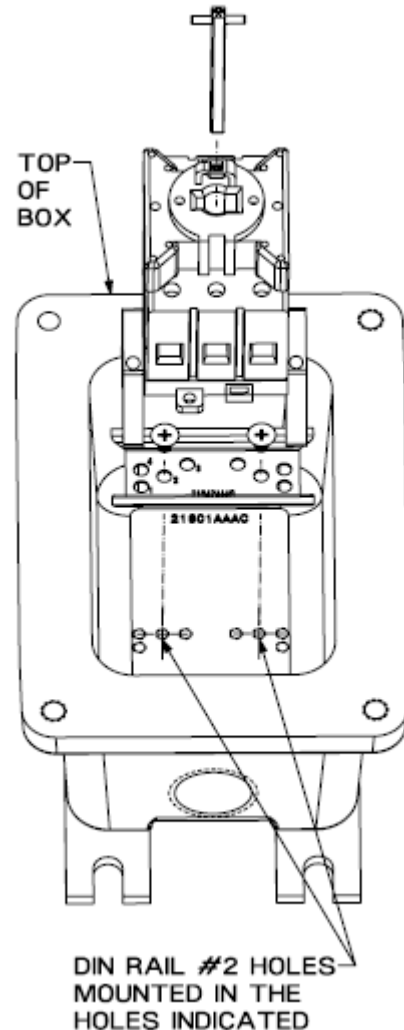
- 1) Do not use this equipment other than the intended use as specified on the equipment nameplate.
- 2) Turn **OFF** the supplying circuit before beginning installation or performing any maintenance.
- 3) Service should be performed by qualified service personnel.
- 4) All installations must comply with the applicable local and/or National Electrical Code.

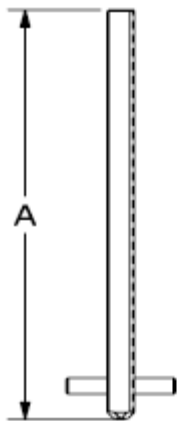
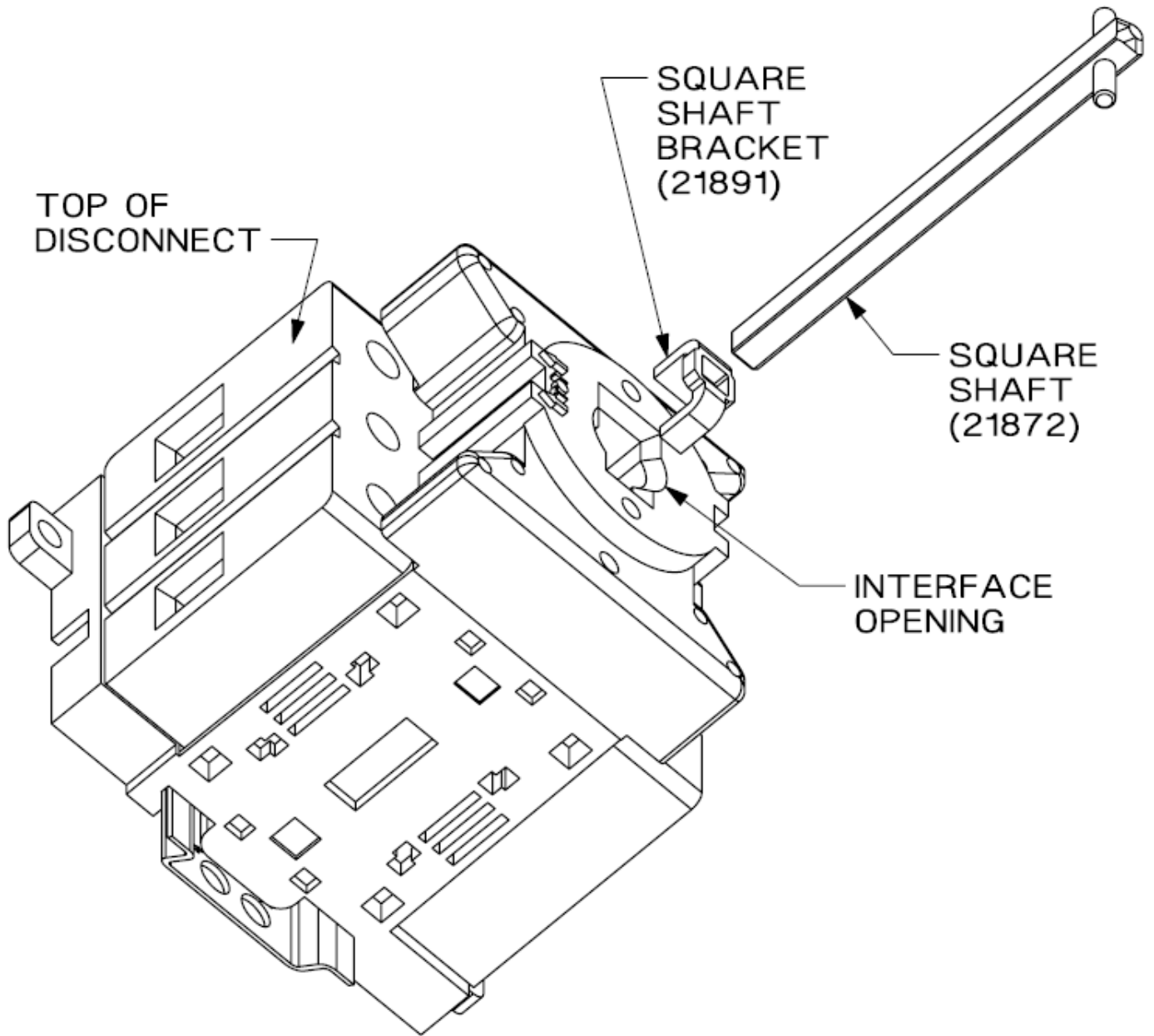
(Note: In the orientation of the enclosure (box & cover), the "TOP" is considered to be at the location of the cast-in part numbers.)

INSTALLATION:

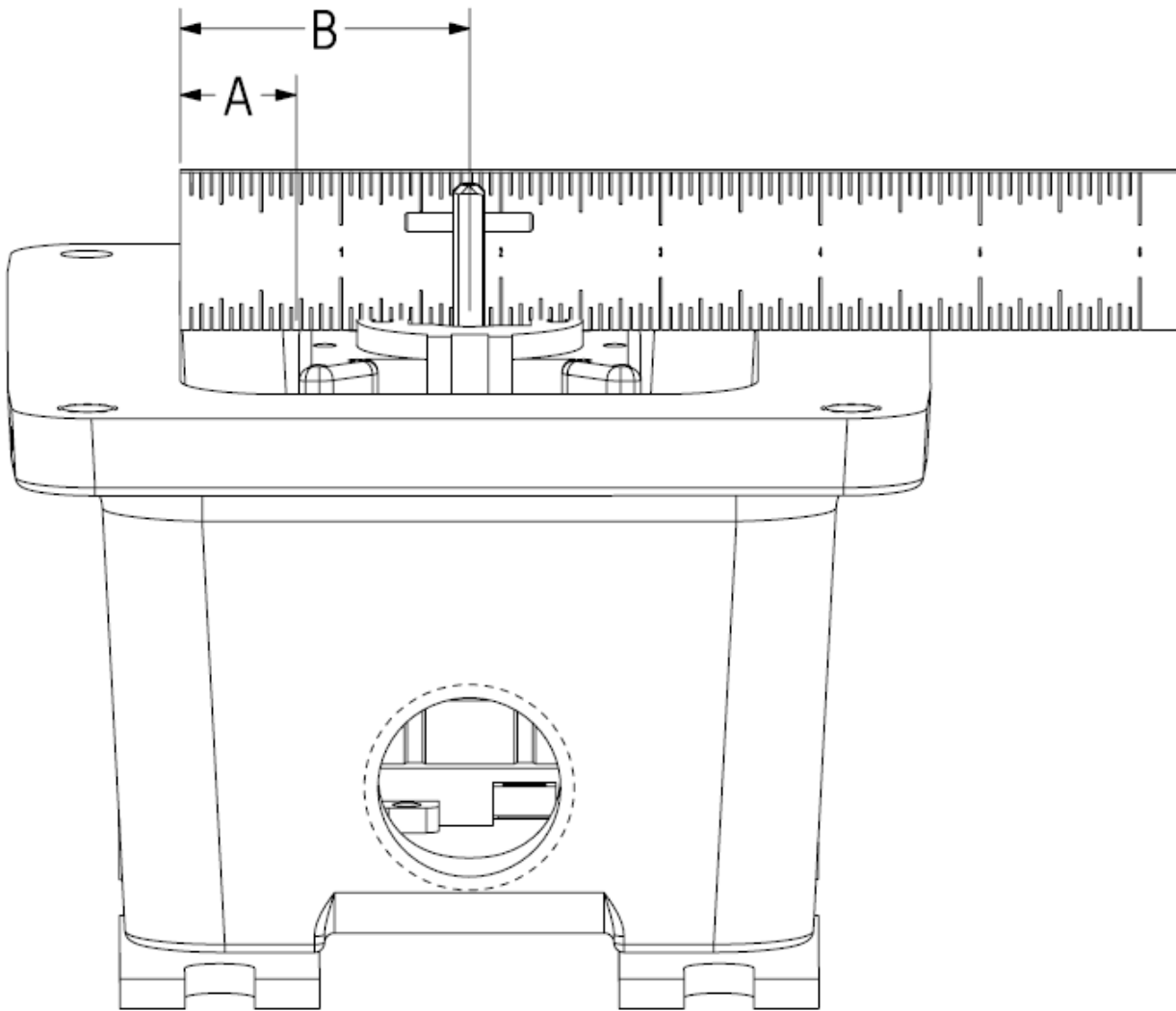
- 1) Install non-fused disconnect of your choice on din rail and align per instructions on page 3.
- 2) Install the two end blocks (provided) onto the din rail. Secure the blocks permanently on both sides of disconnect by using a screw driver and tightening the recessed screws.
- 3) Cut "square shaft" provided, to the over-all length dimension shown in the chart on page 2, for the specific device being used. (NOTE: smooth out the cut edge of the shaft)
- 4) Insert "square shaft bracket" into disconnect device interface opening per the orientation shown in the picture on page 2.
- 5) Insert the cut shaft thru the square hole in the bracket, allowing it to rest at the bottom of the device interface opening and in the orientation shown in the picture on page 2.
- 6) Terminate incoming cables to the line and load side of disconnect (field installation only).
- 7) Assemble cover on box making certain that the **cross pin** in the square shaft is engaged in the slot of the operator in cover.
- 8) Tighten cover bolts.

SAVE ALL INSTRUCTIONS





DISCONNECT SERIES	SHAFT LENGTH DIMENSION (A)
A-B 194E	1.96"
SPRECHER+SCHUH LA7-16 THRU 63	2.50"
SPRECHER+SCHUH LA7-80 THRU 100	2.32"



NOTE:

1. DIMENSION "A" IS LOCATED FROM THE LEFT EDGE OF THE BOX TO THE LEFT EDGE OF THE DISCONNECT.
2. DIMENSION "B" IS LOCATED FROM THE LEFT EDGE OF THE BOX TO THE CENTER OF ROTATION OF THE DISCONNECT.

MFG.	CAT #	DIM. A	DIM. B
ALLEN BRADLEY	194E-A63-1753	3/4	1 13/16
SPRECHER+SCHUH	LA7-16-1753	1 1/8	1 13/16
SPRECHER+SCHUH	LA7-80-1753	11/16	2 1/8

Technical information, advice and recommendations contained in these documents is based on information that Larson Electronics believes to be reliable. All the information and advice contained in these documents is intended for use by persons having been trained and possessing the requisite skill and know-how and to be used by such persons only at their own discretion and risk. The nature of these instructions is informative only and does not cover all of the details, variations or combinations in which this equipment may be used, its storage, delivery, installation, check out, safe operation and maintenance.

There are no warranties, expressed or implied, except that all goods shall conform to their description, subject however to commercial tolerances and variations.

All sales are made on the express understanding that there are no express warranties other than those contained in a specific agreement between Seller and Buyer and that there are no implied warranties that the goods shall be merchantable, nor are there any warranties which extend beyond the description on the face hereof. In the event of the breach of any warranty or alleged breach of any warranty by Larson Electronics, the Buyer shall not be entitled to consequential or incidental damages. The obligation of Larson Electronics under its warranty shall be limited to repairing or replacing FOB Larson Electronics' plant or allowing credit at Larson Electronics' option, any part or parts which may prove to be thus defective, provided the Buyer(s) gives Larson Electronics prompt notice of the defect or defects. It is expressly agreed and understood that this remedy of repair or replacement or credit at Larson Electronics' option is the exclusive remedy of the Buyer of this product.

Since conditions of use of the product are outside of the care, custody and control of Larson Electronics, the purchaser should determine the suitability of the product for his intended use, and assumes all risk and liability whatsoever in connection therewith.

MAINTENANCE MANAGER: Please record the following information for your records:

COMPLETE CATALOG NO. _____
(As shown on nameplate)

INSTALLED BY _____

DATE OF INSTALLATION _____